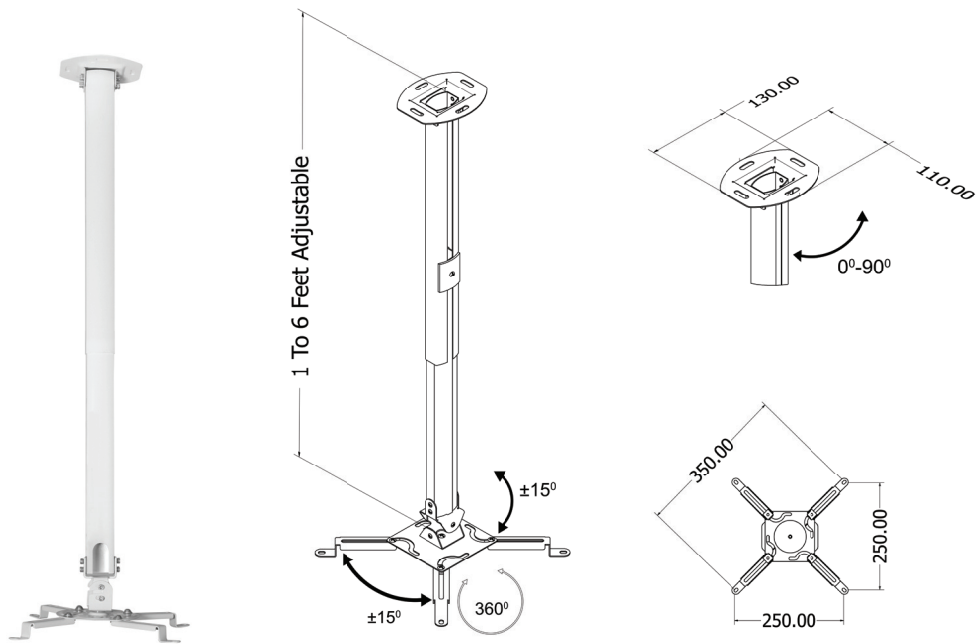


## PROFESSIONAL SERIES

### LG-PCM



### Features

- Suitable for projectors up to 12 kg
- Mounts projector at 1, 2, 3, 4, and 6 ft. from ceiling with supplied extension rod
- Easy to adjust and fix projector in position
- +/-15° tilt adjustment & 360° roll adjustment
- Simple installation with all mounting hardwares included
- Colour Available : White

### Specification

#### LG-PCM-2F

Description	Professional Ceiling Mount Kit 1/2 ft.
Material	Aluminium
Max. Load	12 kg
Clamp Length	115 mm
Product Weight	1 kg
Shipping Weight	2 kg
Shipping Dimension (L x W x H)	370 x 160 x 90

#### LG-PCM-3F

Description	Professional Ceiling Mount Kit 1.5/3 ft.
Material	Aluminium
Max. Load	12 kg
Clamp Length	115 mm
Product Weight	1.2 kg
Shipping Weight	2 kg
Shipping Dimension (L x W x H)	510 x 150 x 100

\*Dimensions in mm

## PROFESSIONAL SERIES

### LG-PCM

#### Specification

##### LG-PCM-4F

Description	Professional Ceiling Mount Kit 2/4 ft.
Material	Aluminium
Max. Load	12 kg
Clamp Length	115 mm
Product Weight	1.3 kg
Shipping Weight	2 kg
Shipping Dimension (L x W x H)	660 x 160 x 90

##### LG-PCM-6F

Description	Professional Ceiling Mount Kit 3/6 ft.
Material	Aluminium
Max. Load	12 kg
Clamp Length	115 mm
Product Weight	2 kg
Shipping Weight	3 kg
Shipping Dimension (L x W x H)	980 x 160 x 100

\*Dimensions in mm