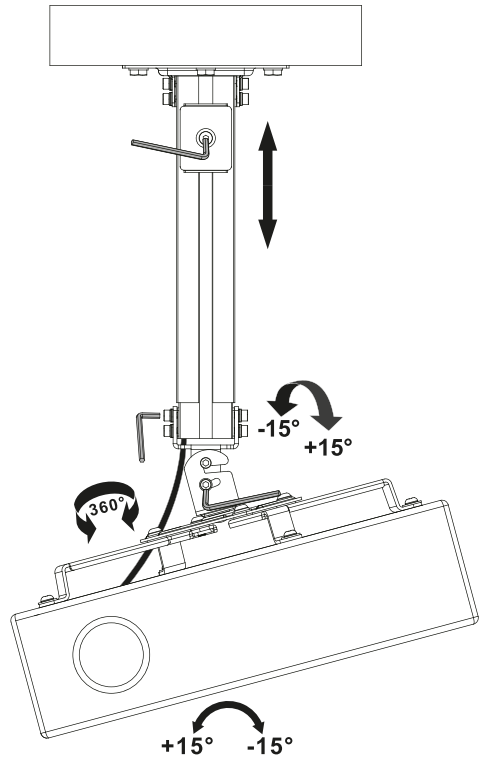
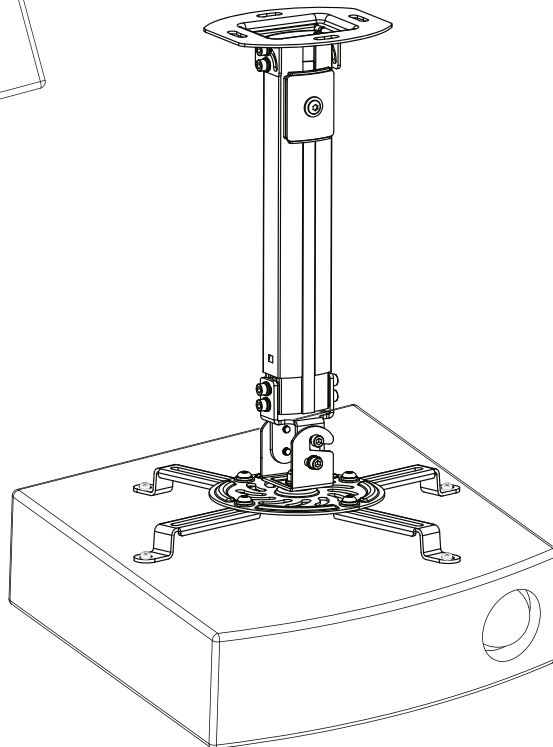


## Height and angle adjustable details

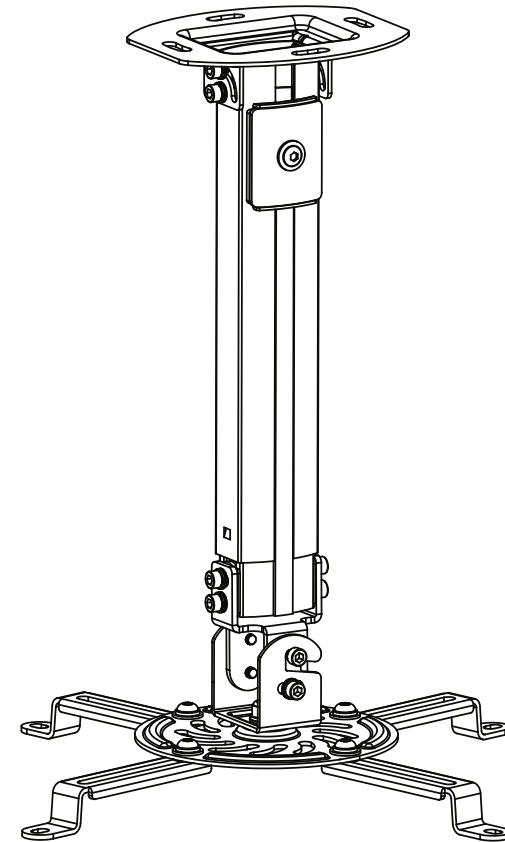


5. Rotate the screw using Allen key for height and angle adjustment. (Refer M-G in the check list)



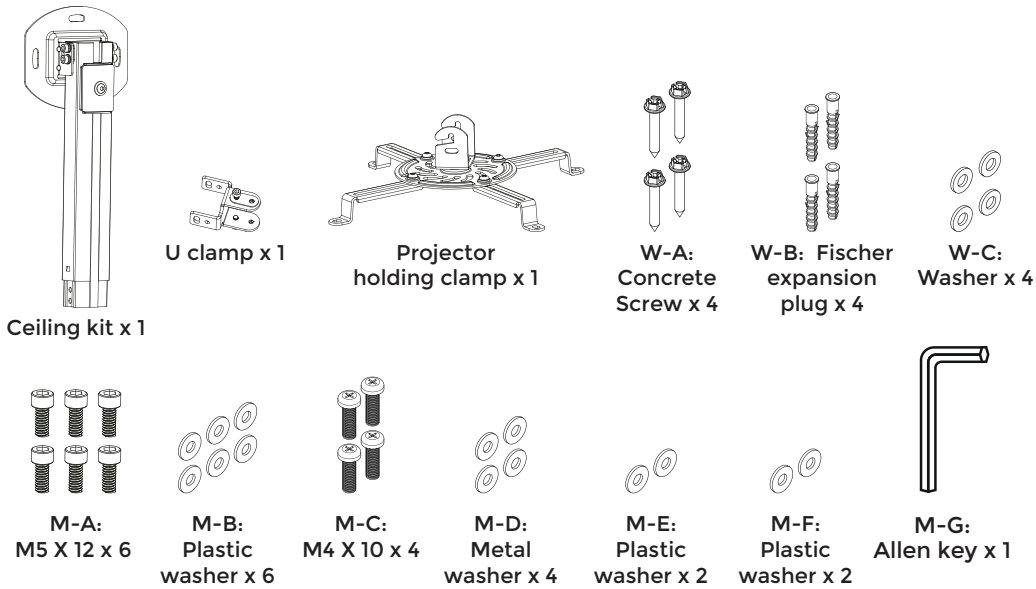
Final view reference image

## INSTALLATION MANUAL PROJECTOR CEILING MOUNT



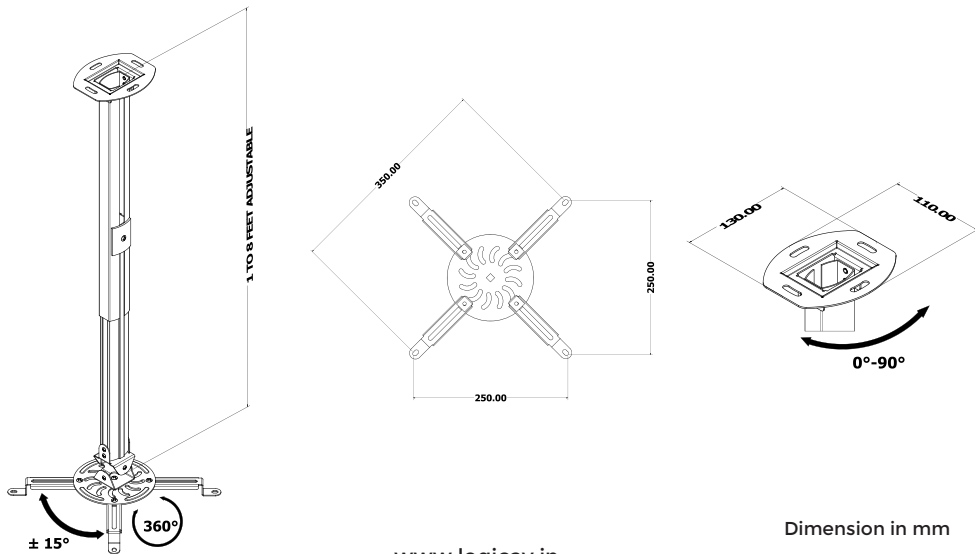
MODEL			SERIES	MAX LOAD
<input type="checkbox"/> LG-PCM-2F	<input type="checkbox"/> LG-PCM-3F	<input type="checkbox"/> LG-PCM-4F	PROJECTOR MOUNT	26.45 lbs (12 kg)
<input type="checkbox"/> LG-PCM-6F	<input type="checkbox"/> LG-PCM-8F		PROFESSIONAL SERIES	

# Checklist



**IMPORTANT :** Ensure that you have received all parts according to the checklist prior to installation.

# 1. Product Dimension

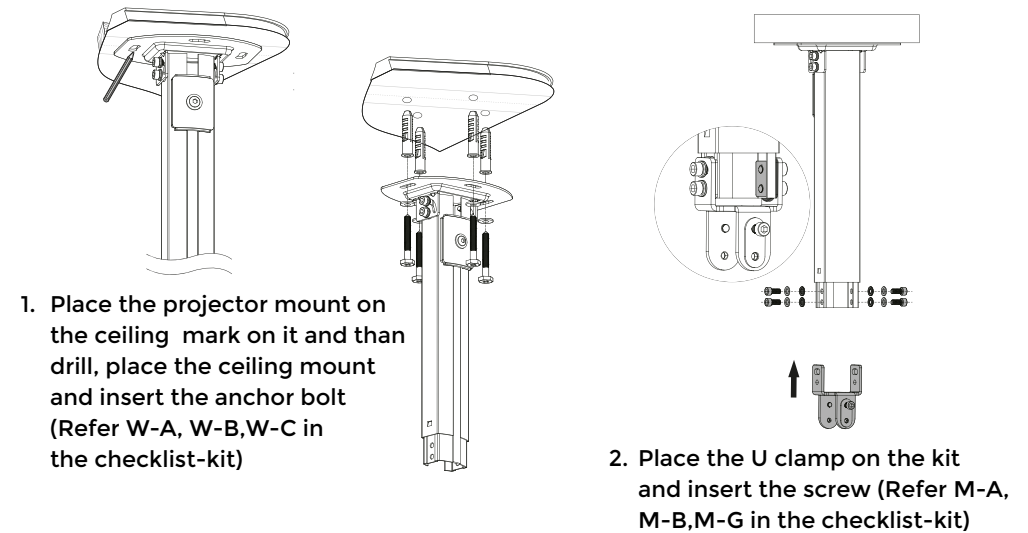


# 2. Installation

**Choose below method for fixing projector mount.**

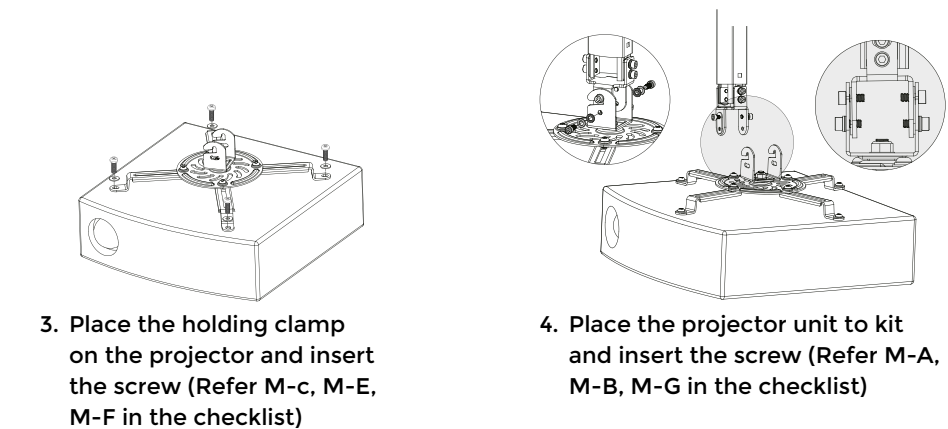
**ATTENTION:** Drilling the ceiling for the projector mount should be executed by a craftsman only Exercise care to prevent any scar or damage to the wall.

**CAUTION :** Wear safety glasses while operating power equipment. Failure to comply may result in eye injury



1. Place the projector mount on the ceiling mark on it and then drill, place the ceiling mount and insert the anchor bolt (Refer W-A, W-B, W-C in the checklist-kit)

2. Place the U clamp on the kit and insert the screw (Refer M-A, M-B, M-G in the checklist-kit)



3. Place the holding clamp on the projector and insert the screw (Refer M-c, M-E, M-F in the checklist)

4. Place the projector unit to kit and insert the screw (Refer M-A, M-B, M-G in the checklist)