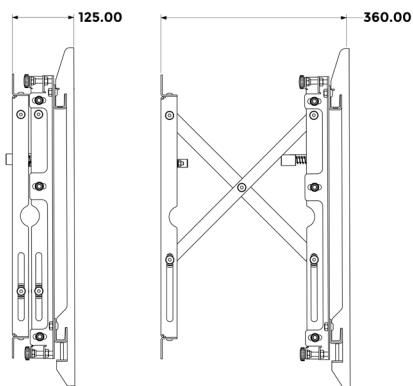
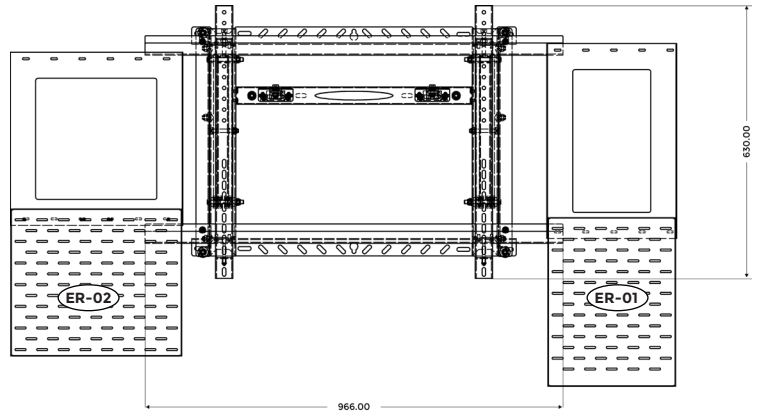


# DISPLAY MOUNT BRACKETS

**LOGIC**

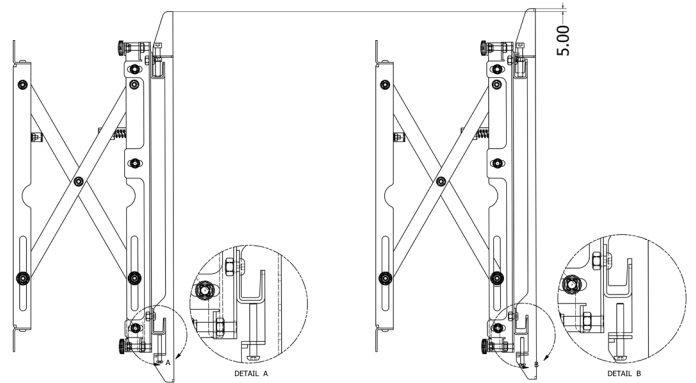
**PUSH-PULL WALL MOUNT BRACKET : LGC-7598**

**EQUIPMENT RACK : ER-01 & ER-02 (OPTIONAL ACCESSORIES)**

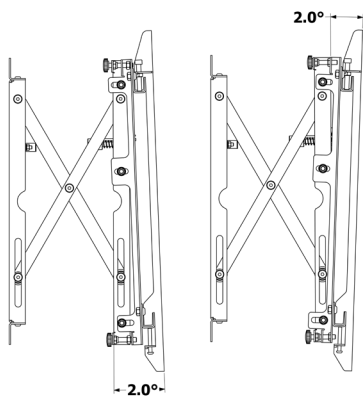


WHEN CLOSED

WHEN OPENED

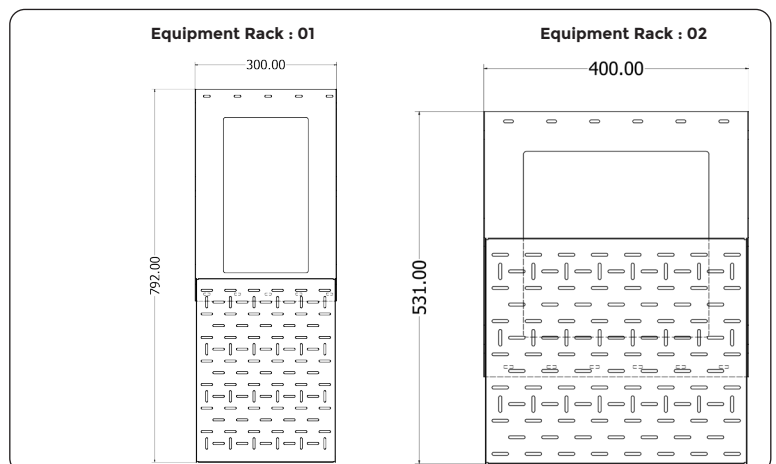


Height adjustment



Upward up to 2°

Downward up to 2°



\*Dimensions in mm

## PUSH-PULL WALL MOUNT BRACKET : LGC-7598

## EQUIPEMENT RACK : ER-01 & ER-02 (OPTIONAL ACCESSORIES)

### Features

- Pull to open / push to close system provides quick and easy service
- Universal in design to fit 75" to 98" displays
- Comes with comfortable height adjustment feature
- The mount can hold up to 120 kg
- Colours available :- Black
- VESA compliant

### Specification

<b>Model Number</b>	<b>LGC-7598</b>
Max.load	265 lbs (120 kg)
Display Sizes	75" to 98"
VESA	400 x 400 to 900 x 600
Material	Steel
Product Weight	19 kg
Shipping Weight	22 kg
Shipping Dimension (L x W x H)	2040 x 610 x 160

### Specification

<b>Model Number</b>	<b>ER-01</b>	<b>ER-02</b>
Max.load	22 lbs (10 kg)	22 lbs (10 kg)
Display Sizes	86" to 98"	86" to 98"
Product Weight	2.6 kg	2.3 kg

\*Dimensions in mm