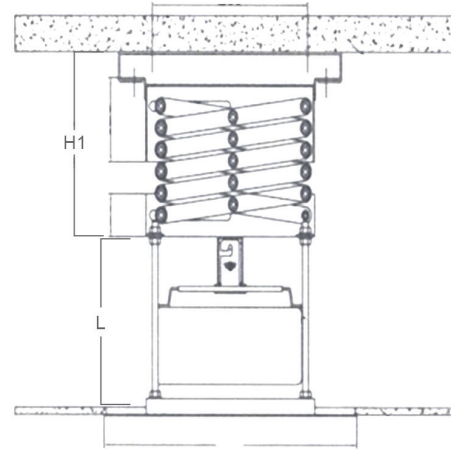
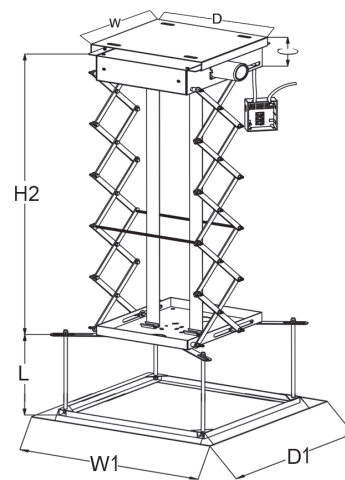


## PROJECTOR MOTORIZED MOUNT (STEEL)

### LG-SPM150



Lift Closed View



Lift Opened View

### Features

- Mount extension is from 150 cm
- The product is made up of Steel
- High quality motorization
- Quiet and smooth operation
- Maximum weight capacity is 15 kg
- Colours Available : White

### Specification

| Description                              | Steel Motorized Projector Lift 150 cm |
|------------------------------------------|---------------------------------------|
| Ceiling depth                            | Min. 600 mm                           |
| Max Load                                 | 15 Kg                                 |
| Motor                                    | Tubular Motor                         |
| Power Supply                             | 220-230V 50 HZ                        |
| Width (W)                                | 320 mm                                |
| Depth (D)                                | 320 mm                                |
| Bottom Plate Width (W1)                  | 490 mm                                |
| Bottom Plate Depth (D1)                  | 490 mm                                |
| Lift Size Closed (H1)                    | 260 mm                                |
| Lift Size Opened (H2)                    | 1500 mm                               |
| Connecting Piece (L)                     | 290 mm                                |
| Lift Size Opened Including Fixing (H2+L) | 1790 mm                               |
| Suggested Projector Size (WxHxD)         | <350x200x350 mm                       |
| Control System                           | RF                                    |
| Product Weight                           | 20.0 Kg                               |
| Shipping Weight                          | 23.0 Kg                               |
| Shipping Dimension (LxWxH)               | 530x530x350 mm                        |