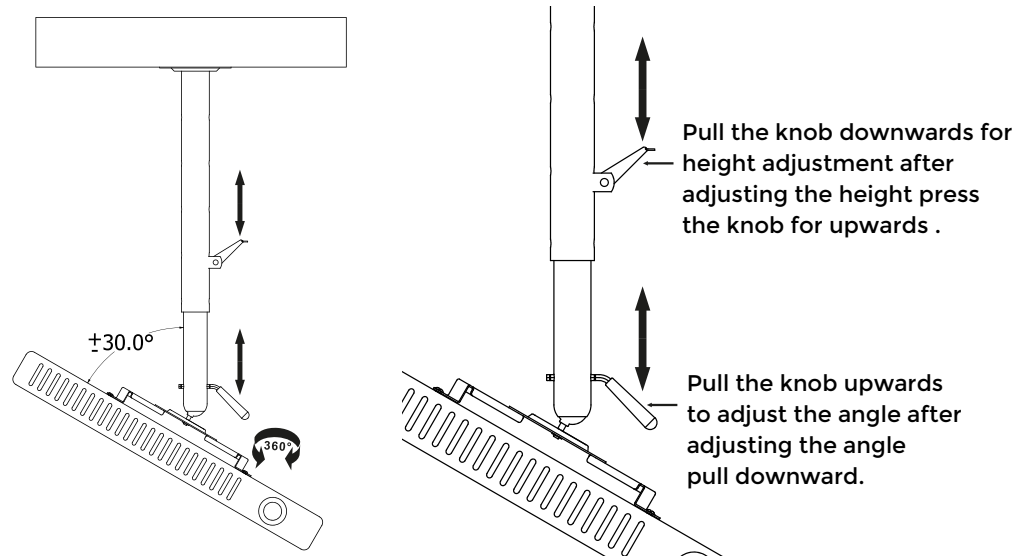
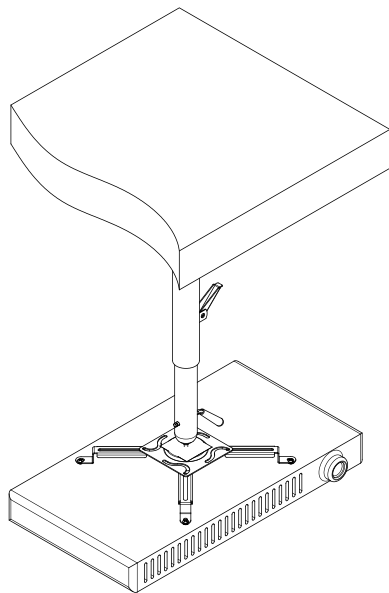


Height and angle adjustable details



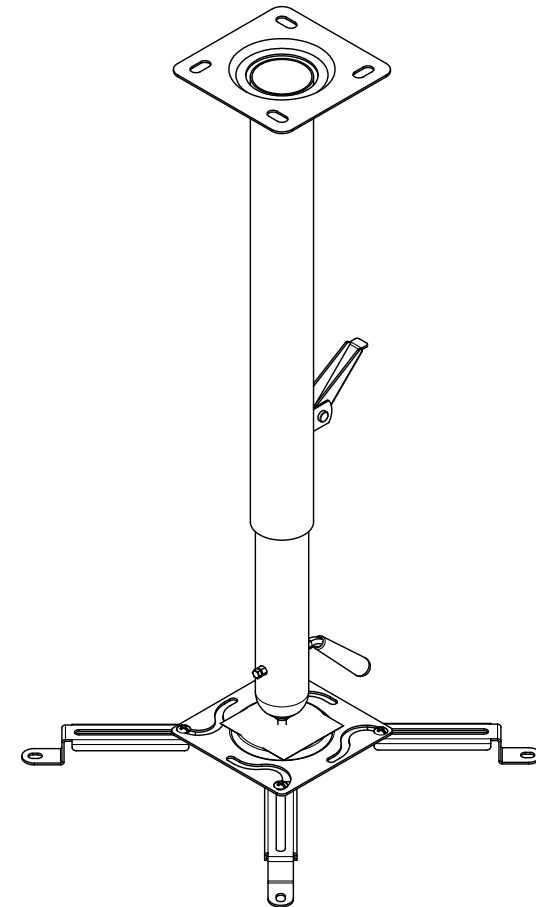
4. Pull the top knob for height adjustment and bottom to adjust the angel.



Final view reference image

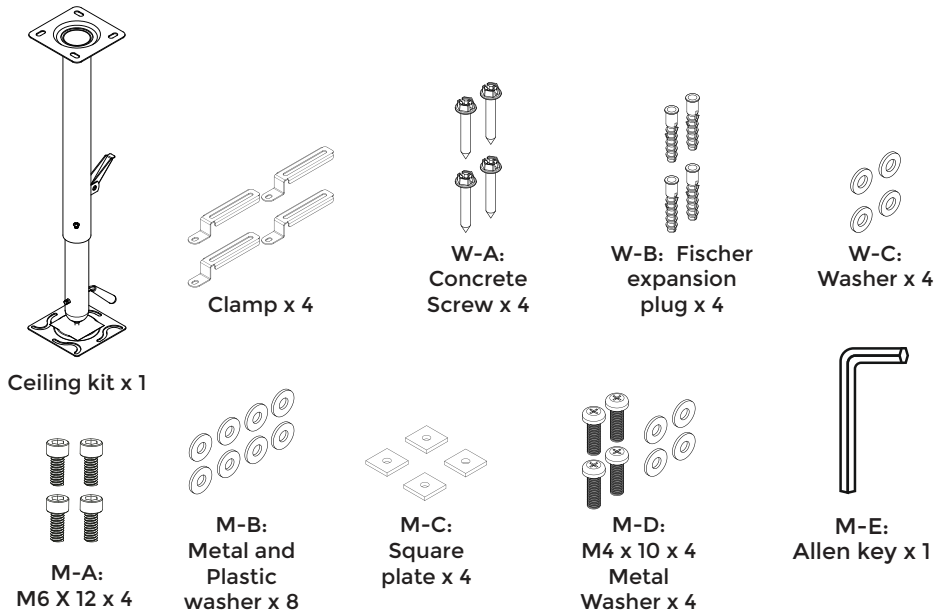
INSTALLATION MANUAL

PROJECTOR CEILING MOUNT



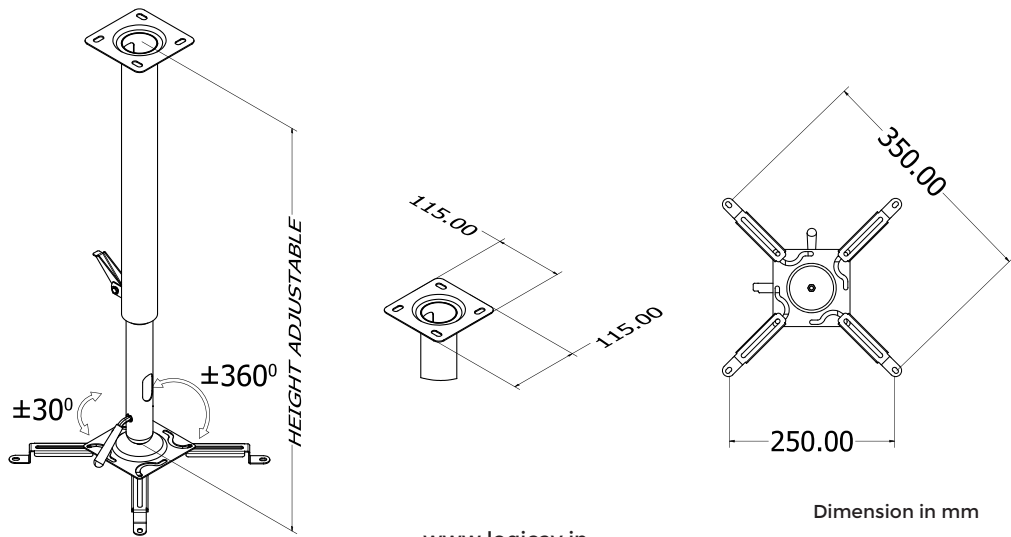
MODEL		SERIES	MAX LOAD
<input type="checkbox"/> LG-CCM-2F	<input type="checkbox"/> LG-CCM-3F	PROJECTOR MOUNT CLASSIC SERIES	22.04 lbs (10 kg)

Checklist



IMPORTANT : Ensure that you have received all parts according to the checklist prior to installation.

1. Product Dimension



www.logicav.in

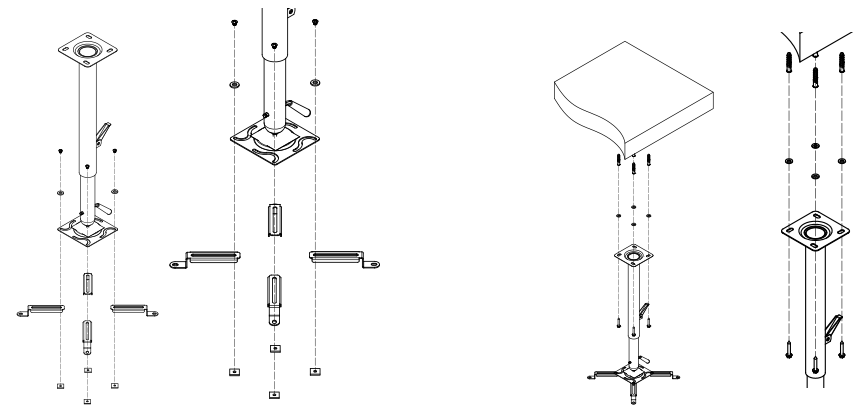
Dimension in mm

2. Installation

Choose below method for fixing projector mount.

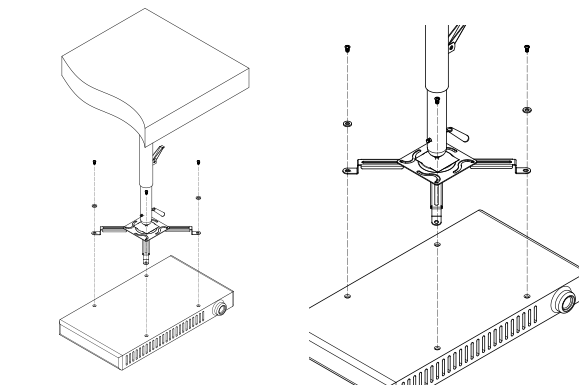
ATTENTION: Drilling the ceiling for the projector mount should be executed by a craftsman only Exercise care to prevent any scar or damage to the wall.

CAUTION : Wear safety glasses while operating power equipment. Failure to comply may result in eye injury



1. Place the clamp on the kit and insert the screw (Refer M-A, M-B, M-C, M-E in the checklist-kit)

2. Place the projector mount on the ceiling mark on it and then drill, place the ceiling mount and insert the anchor bolt (Refer W-A, W-B, W-C in the checklist-kit)



3. Place the holding clamp on the projector and insert the screw (Refer M-D in the checklist)

www.logicav.in