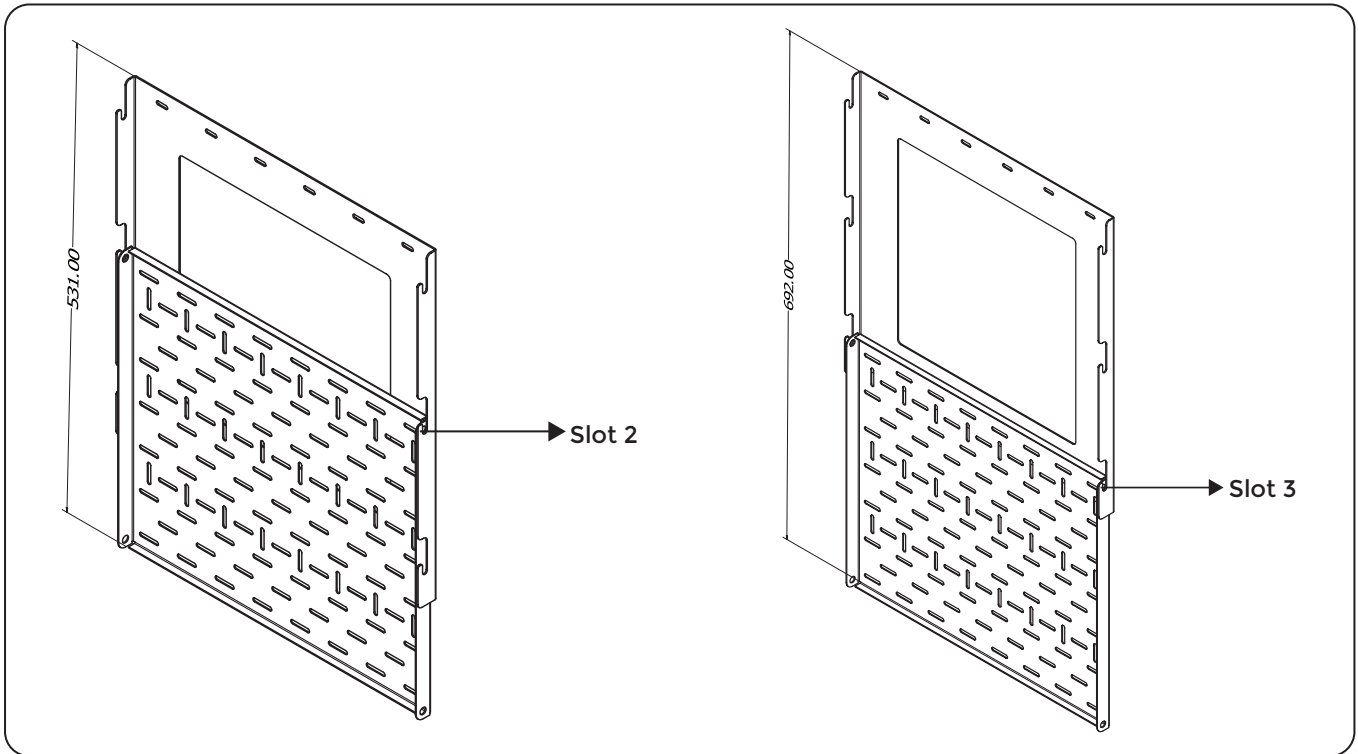
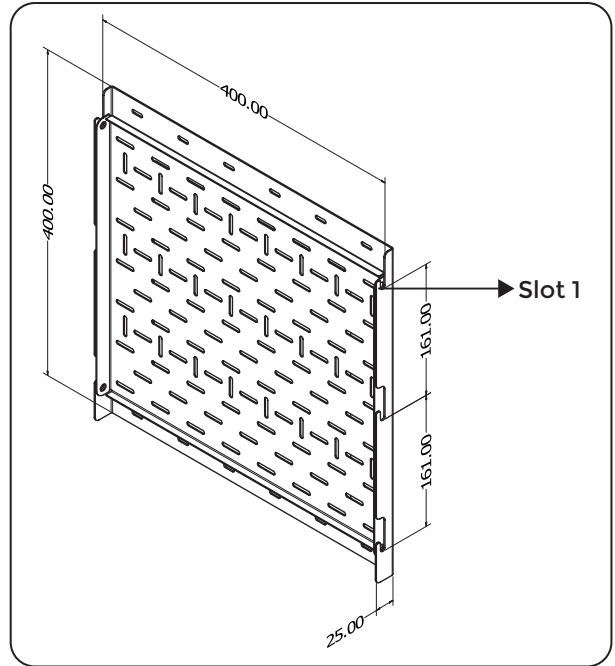
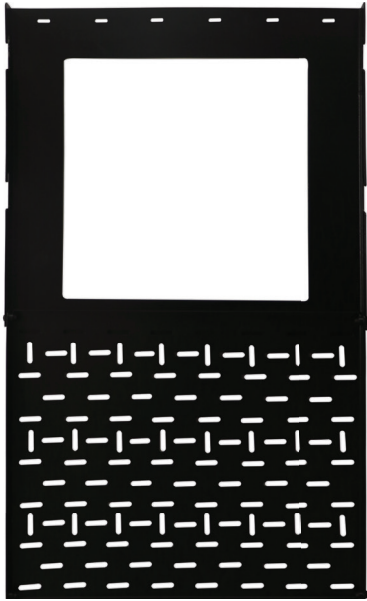


EQUIPMENT RACK - ADJUSTABLE

ER-02 (OPTIONAL ACCESSORIES)



Specification

Model Number	ER-02
Orientation	Portrait
Max.Load	22 lbs (10 kg)
Product Weight	2.3 kg
Shipping Weight	3.3 kg

*Dimensions in mm