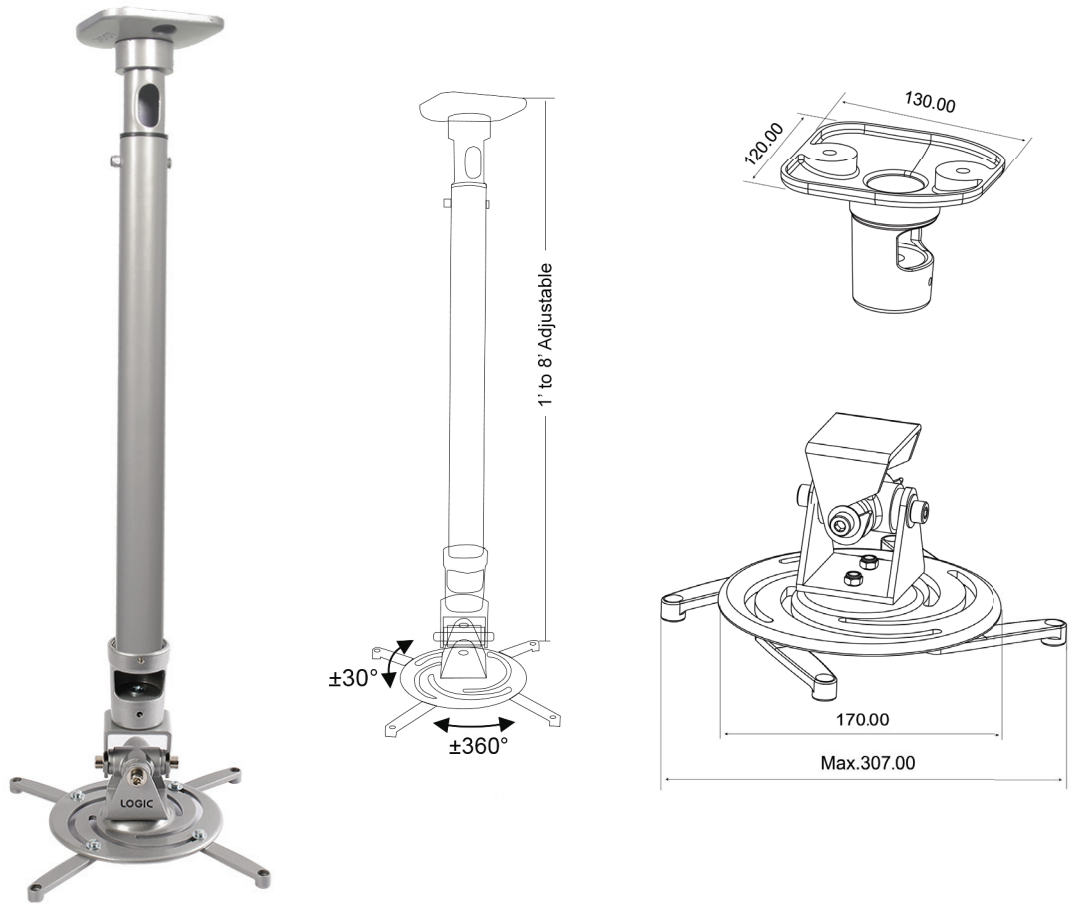


## EXECUTIVE SERIES

### LG-EXCM



### Features

- Suitable for projectors up to 15 kg
- Mounts projector at 1, 2, 3, 4, 6, and 8 ft. from ceiling with supplied extension rod
- Easy to adjust and fix projector in position
- +/-30° tilt adjustment & 360° roll adjustment
- Simple installation with all mounting hardwares included
- Colour Available : Grey

### Specification

#### LG-EXCM-1F

Description	Executive Aluminium Ceiling Mount Kit of 1 ft.
Material	Aluminium
Max. Load	10 kg
Clamp Length	92 mm
Product Weight	1.3 kg
Shipping Weight	1.6 kg
Shipping Dimension (L x W x H)	230 x 195 x 120

\*Dimensions in mm

## EXECUTIVE SERIES

### LG-EXCM

#### LG-EXCM-2F

Description	Executive Aluminium Ceiling Mount Kit + Exp Rod 1/2 ft.
Material	Aluminium & Steel
Max. Load	10 kg
Clamp Length	92 mm
Product Weight	0.6 kg
Shipping Weight	0.8 kg
Shipping Dimension (L x W x H)	420 x 65 x 65

#### Specification

#### LG-EXCM-3F

Description	Executive Aluminium Ceiling Mount Kit + Exp Rod 1.5/3 ft.
Material	Aluminium & Steel
Max. Load	10 kg
Clamp Length	92 mm
Product Weight	0.9 kg
Shipping Weight	1.1 kg
Shipping Dimension (L x W x H)	520 x 65 x 65

**Note:** LG-EXCM-1F comes as a package from 2 F to 8 F

\*Dimensions in mm