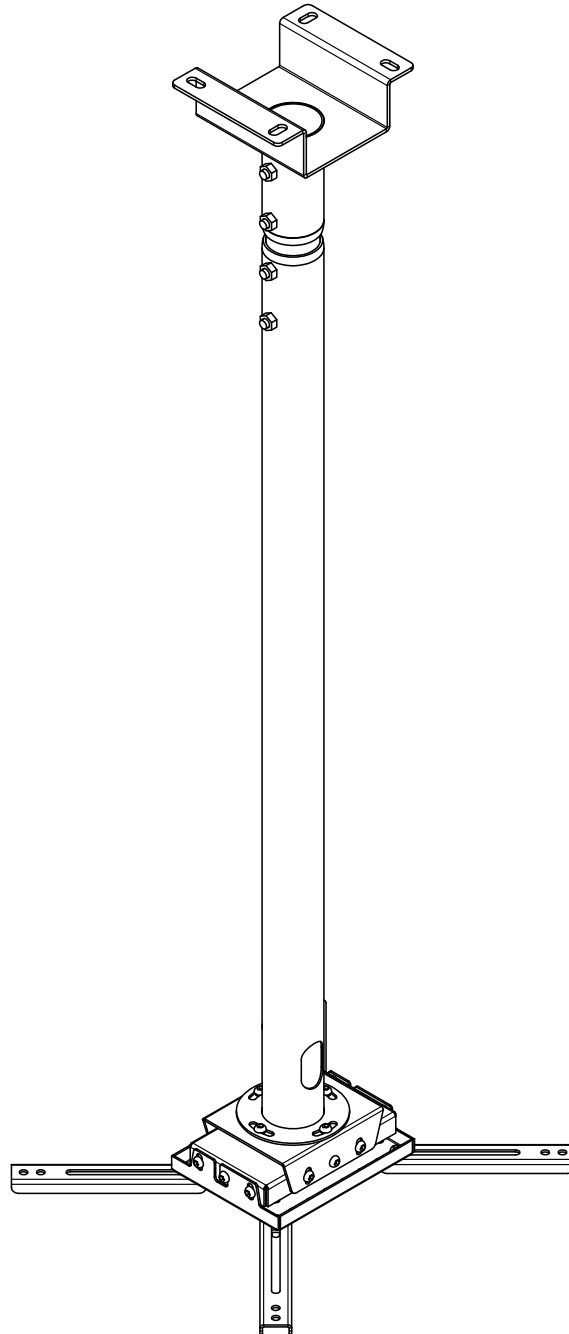


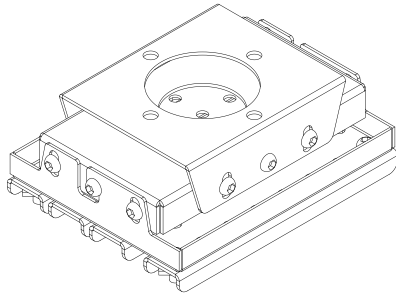
INSTALLATION MANUAL

PROJECTOR MOUNT

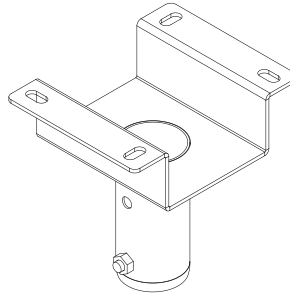


MODEL			SERIES	MAX LOAD
<input type="checkbox"/> LG-HDCM-3F-N19	<input type="checkbox"/> LG-HDCM-4F-N19	<input type="checkbox"/> LG-HDCM-6F-N19	PROJECTOR MOUNT	110.2 lbs (50 kg)
<input type="checkbox"/> LG-HDCM-8F-N19	<input type="checkbox"/> LG-HDCM-12F-N19		HEAVY DUTY	

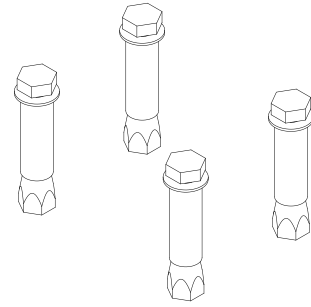
Checklist - Kit



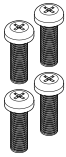
Base x 1



Ceiling mount x 1



W-A: Anchor bolt x 4



M-A: M5 X 25 X 4



M-B: Metal washer x 4



M-C: Plastic washer x 4

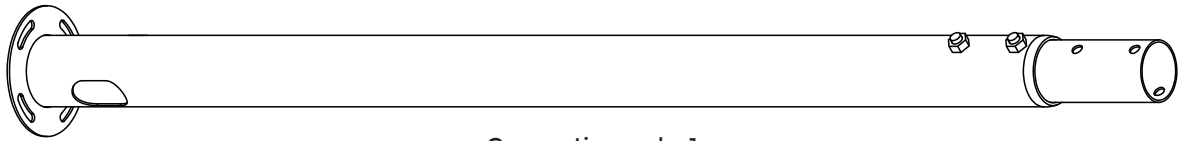


M-D: Allen key x 1



M-E: Allen key x 1

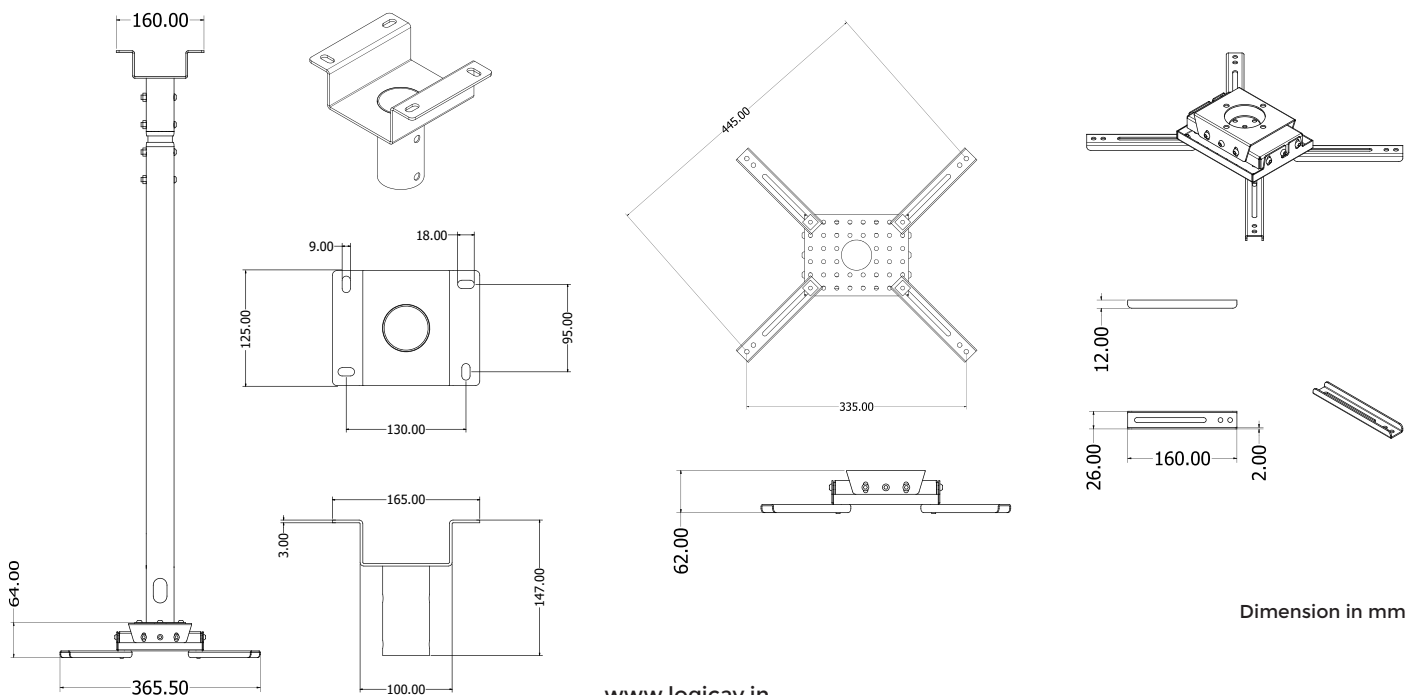
Checklist - Rod



Connecting rod x 1

IMPORTANT : Ensure that you have received all parts according to the checklist prior to installation.

1. Product Dimension



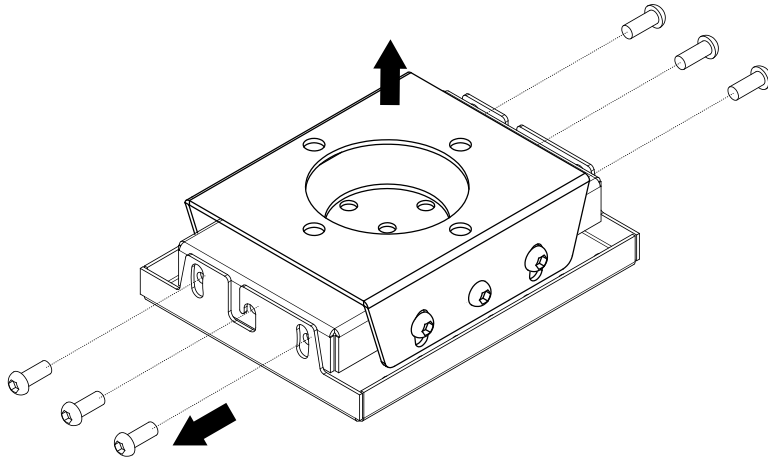
Dimension in mm

2. Installation

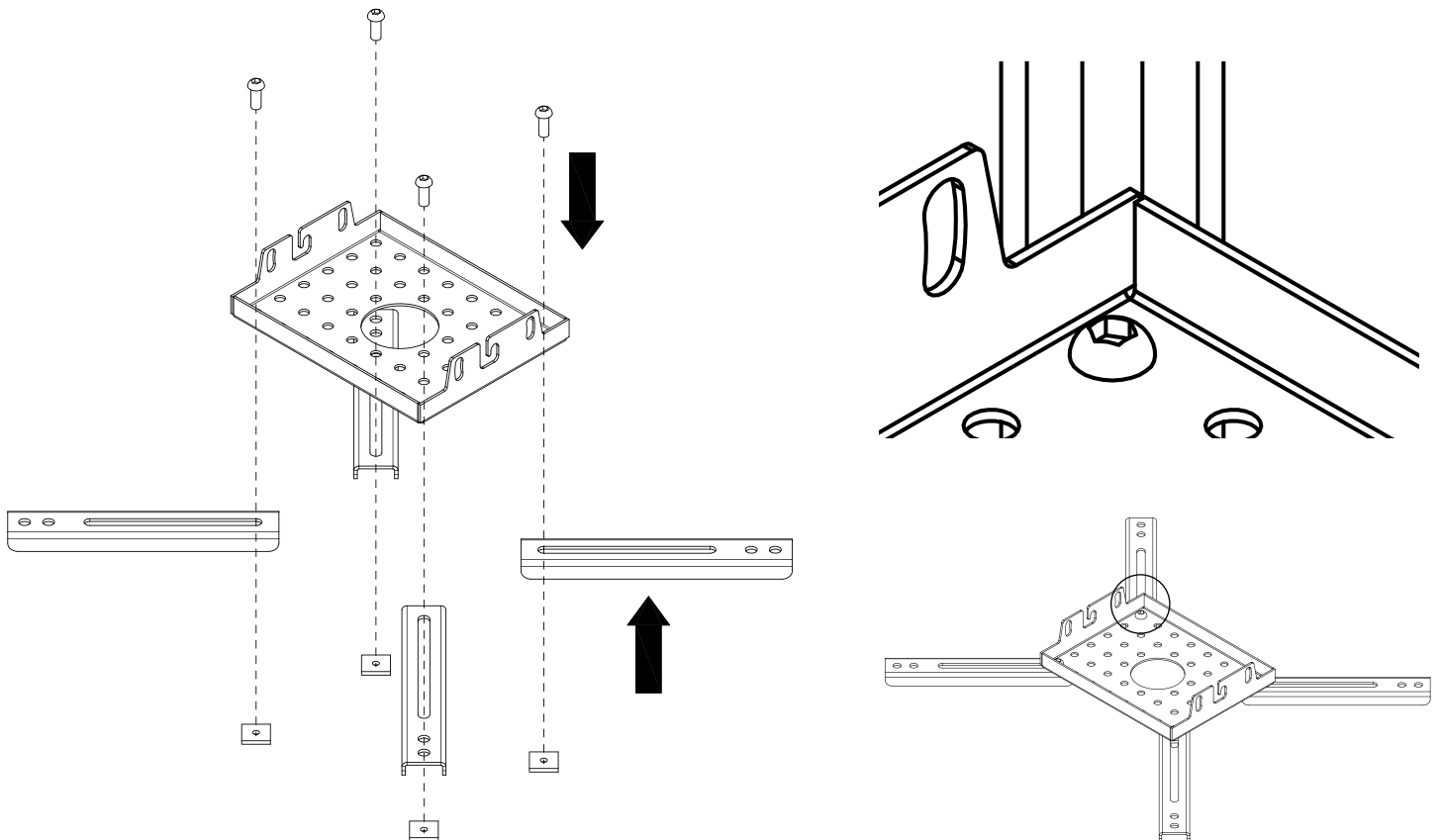
Choose below method for fixing projector mount.

ATTENTION: Drilling the ceiling for the projector mount should be executed by a craftsman only. Exercise care to prevent any scar or damage to the wall.

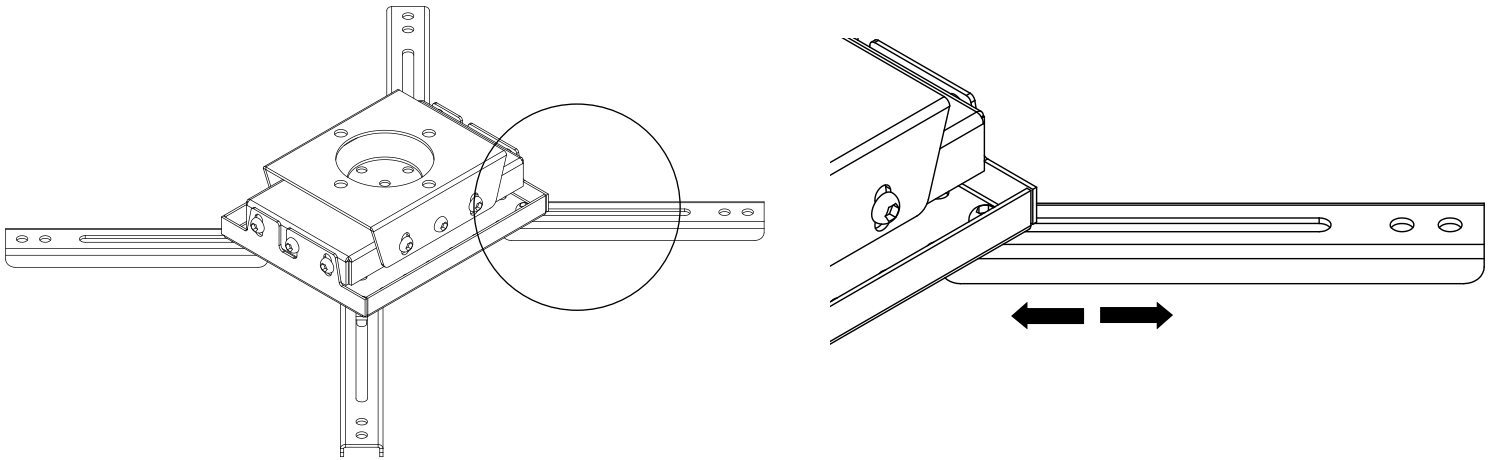
CAUTION : Wear safety glasses while operating power equipment. Failure to comply may result in eye injury



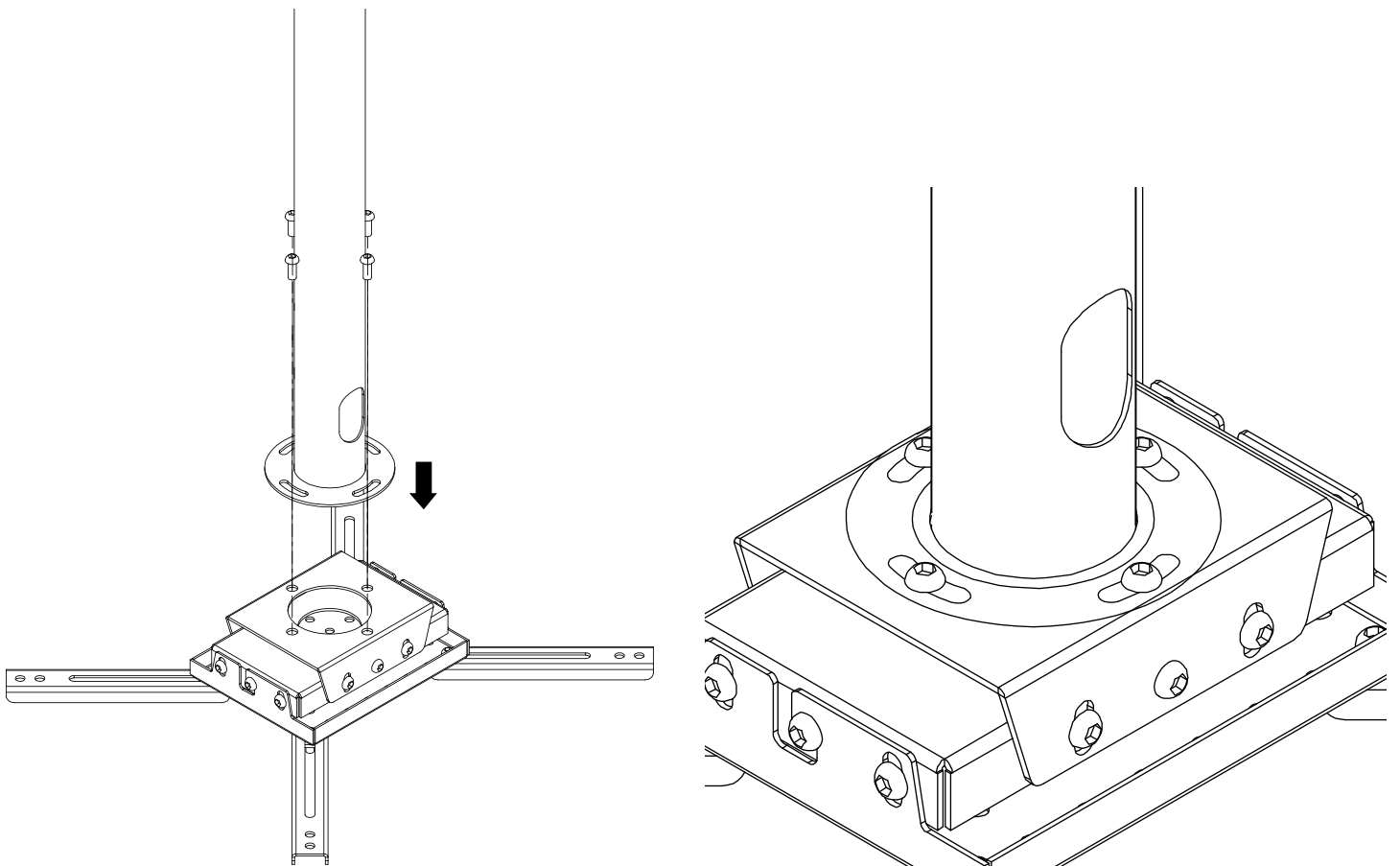
1. Remove the screws from the base using Allen key and then take out the plate (Refer M-E in the checklist-kit)



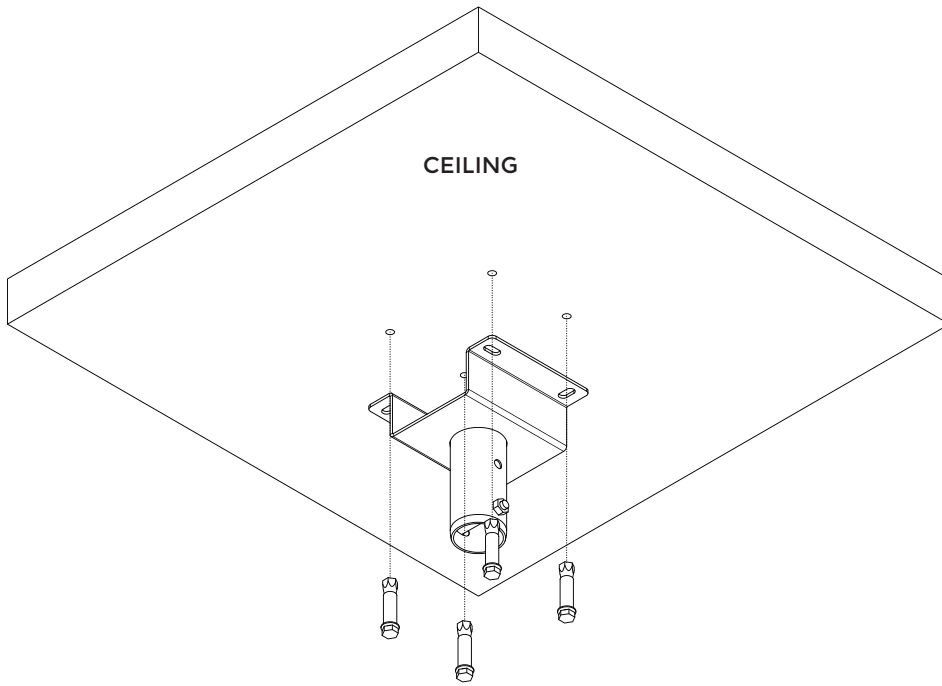
2. Take out the clamp from the base plate and fix the clamp at the corner of the base plate (Refer M-E in the checklist-kit)



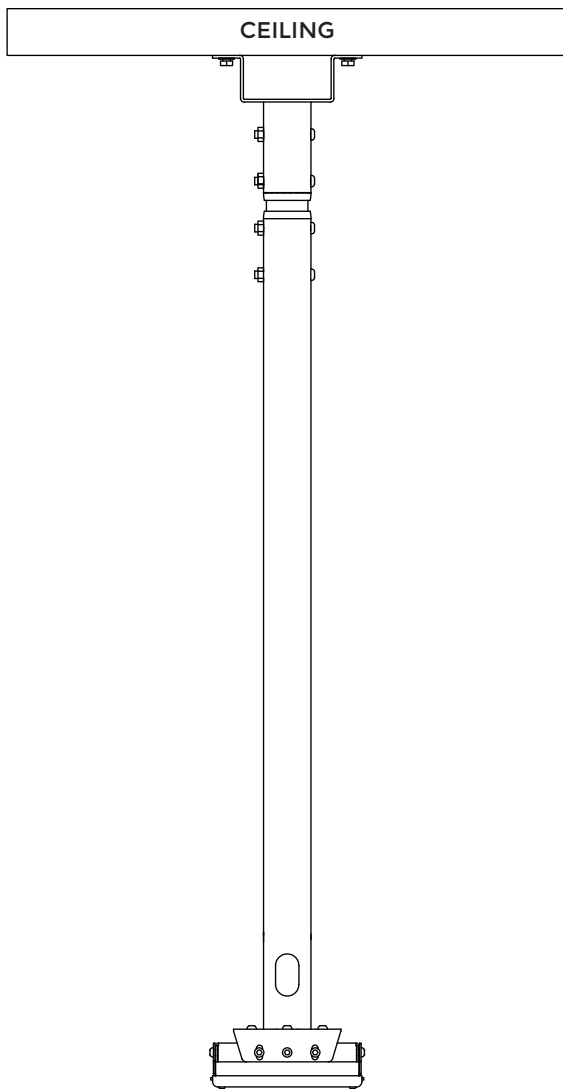
3. Based on the projector mounting size adjust the clamp



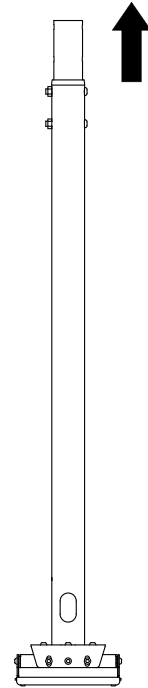
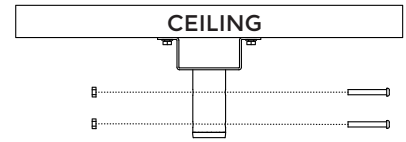
4. Remove the screw from the base top and place the rod on the base and insert the screw



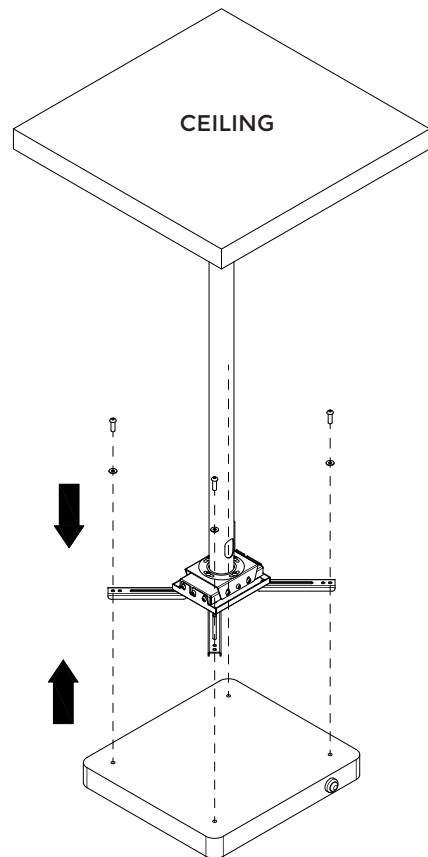
5. Place the ceiling mount on the ceiling mark on it and than drill, place the ceiling mount and insert the anchor bolt(Refer W-A in the checklist-kit)



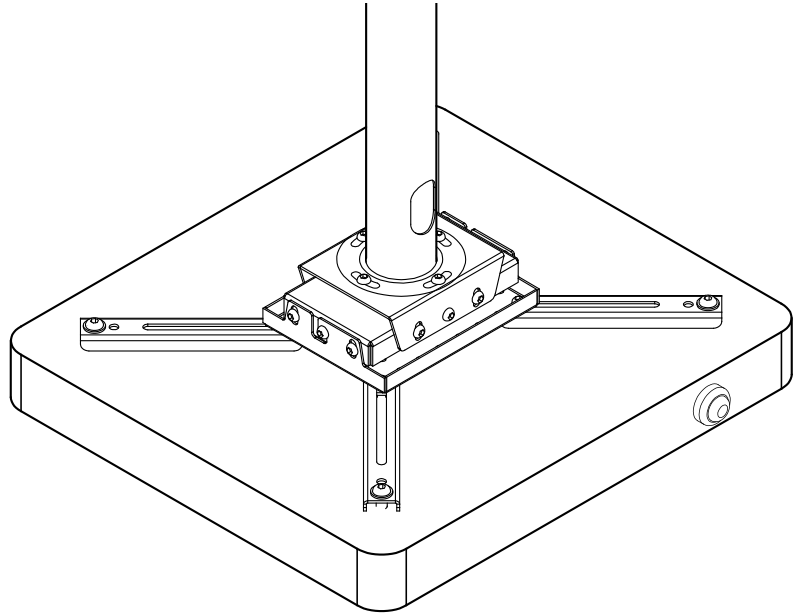
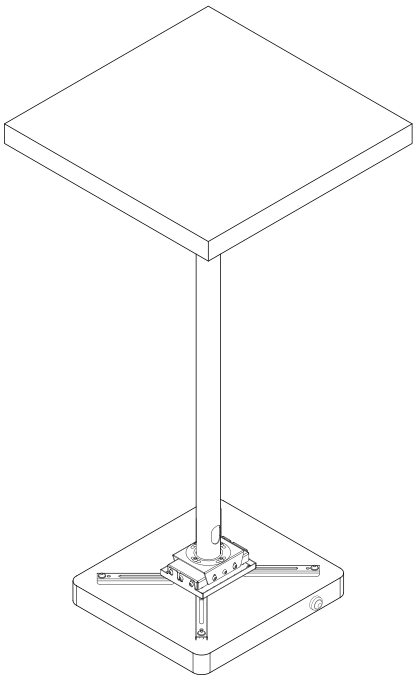
View after mounting to ceiling



6. Remove the bolt nut from the ceiling mount place the rod and then insert the bolt nut.

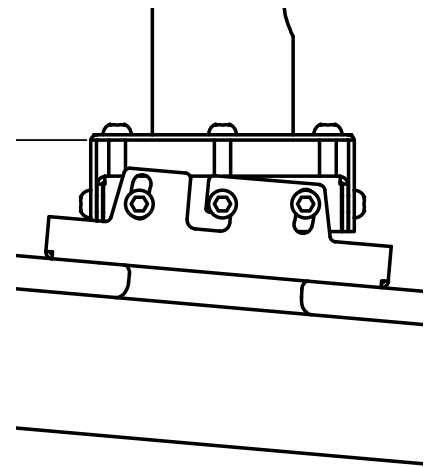
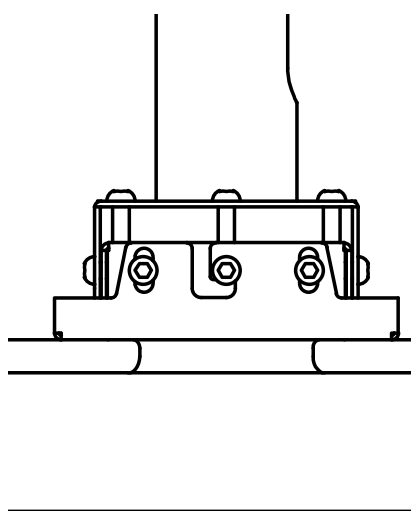
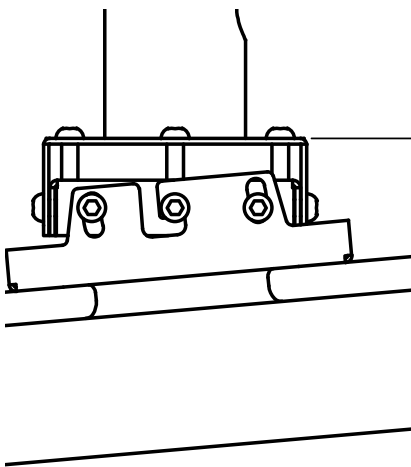
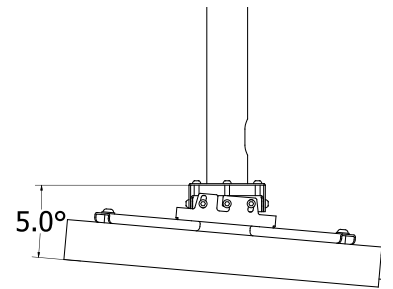
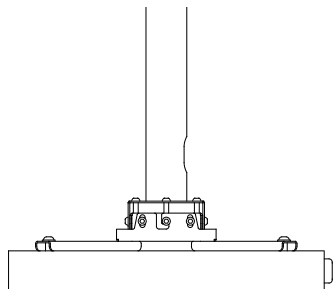
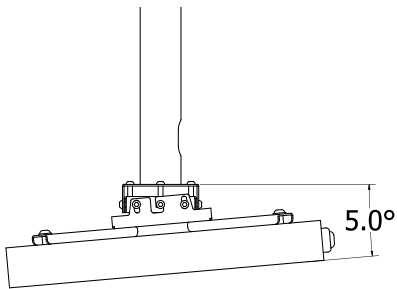


7. Place the projector on the kit and insert the screw (Refer M-A,M-B,M-C,M-D)



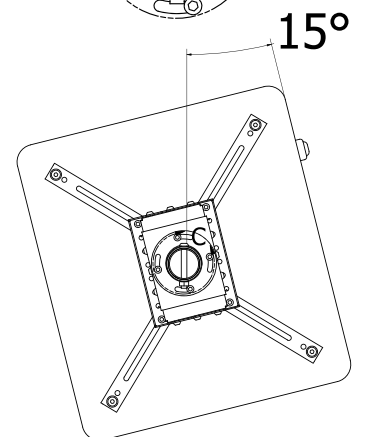
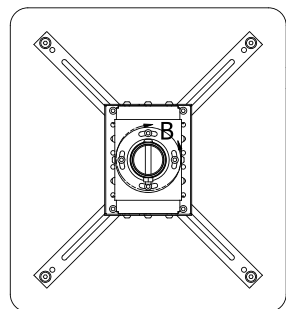
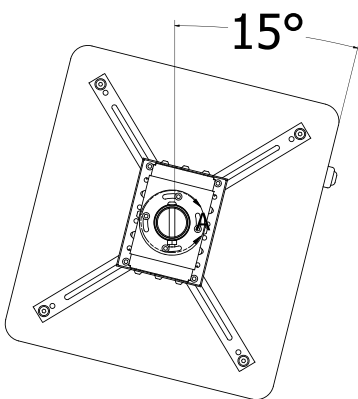
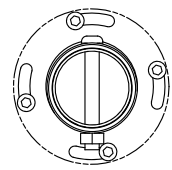
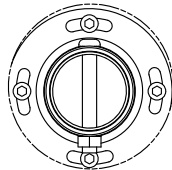
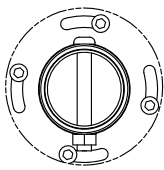
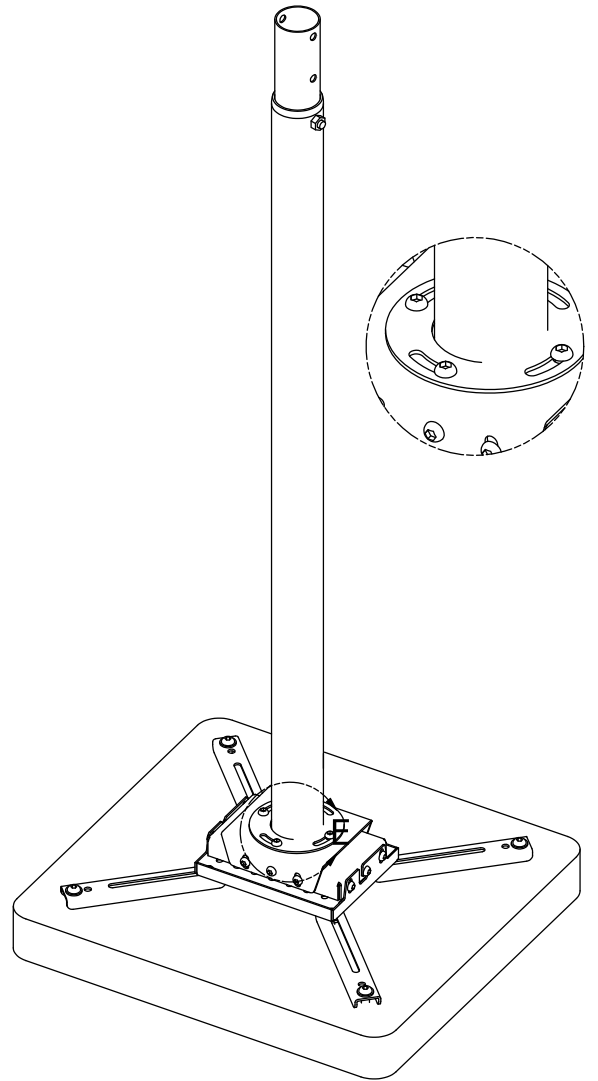
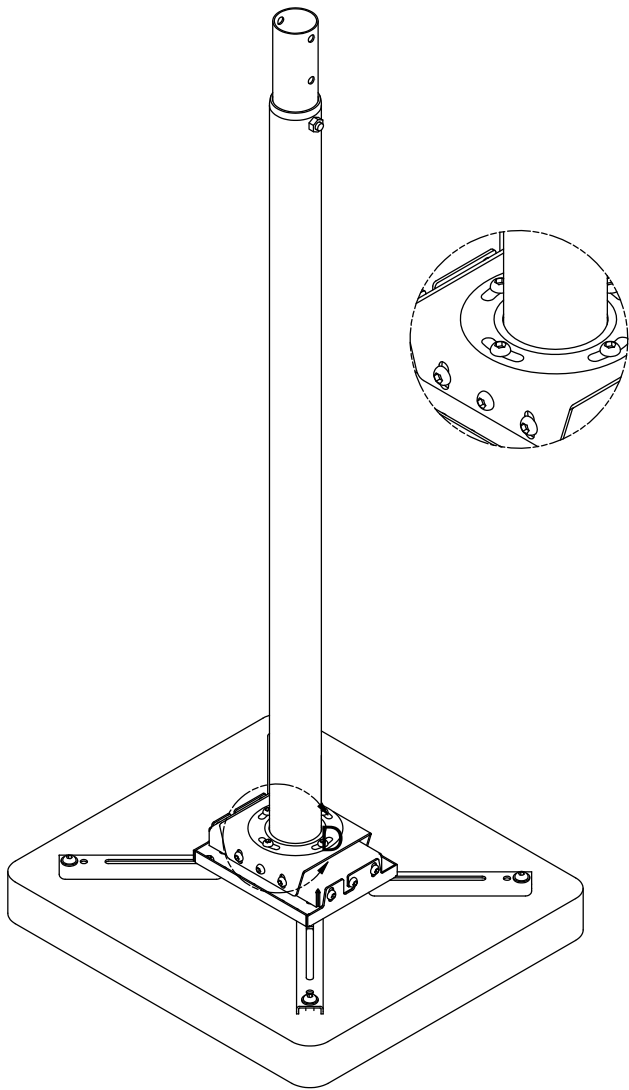
View after position the projector

Side angle adjustment details

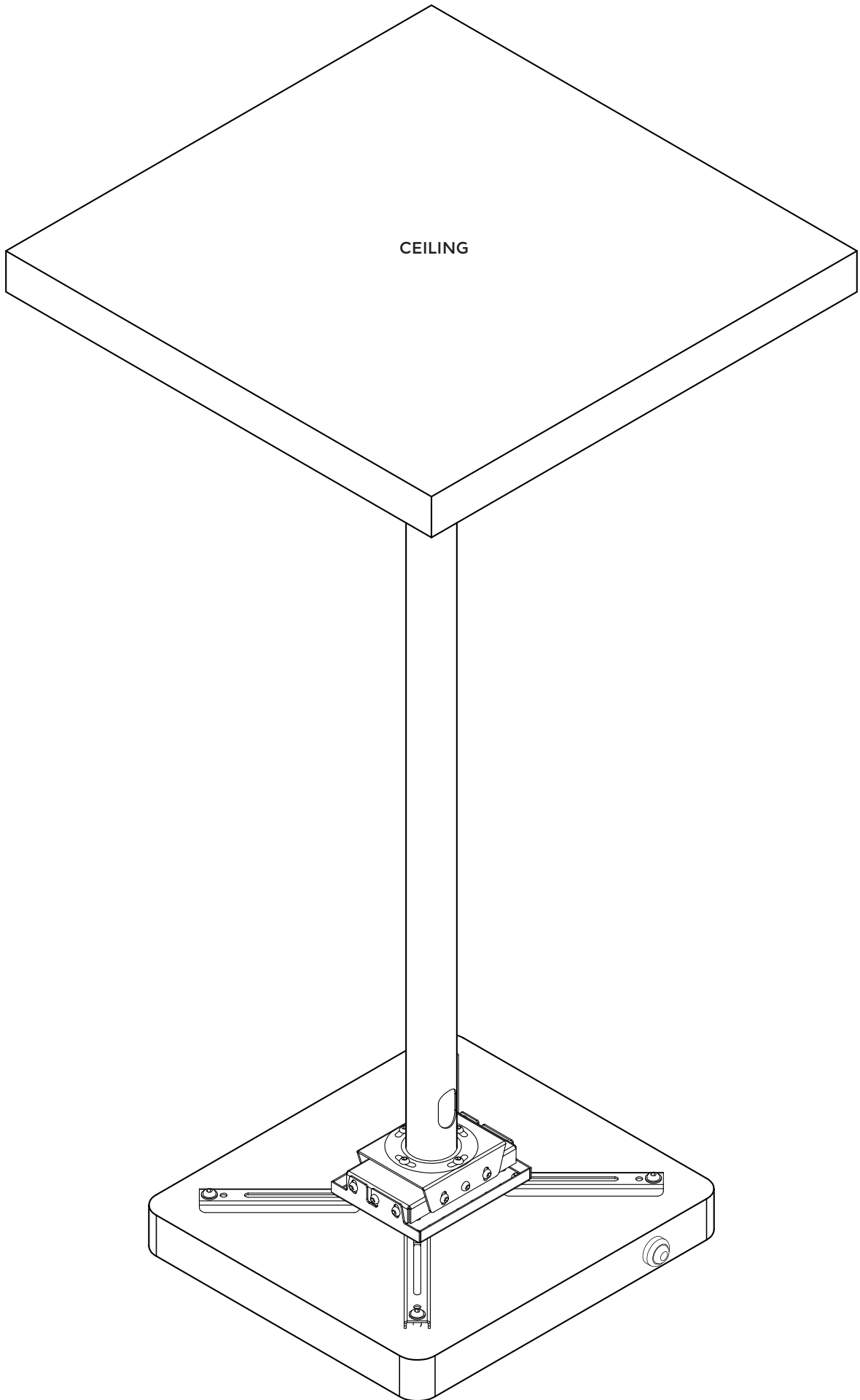


8. Side angle adjustment details: Use the Allen key and slightly loss the screw on both the side to adjust the angle (Refer M-H in the checklist-kit)

Top angle adjustment details



9. Top angle adjustment details:
Use the Allen key and slightly loss the screw on both the side
to adjust the angle(Refer M-H in the checklist-kit)



Final view after installing the mounted Projector on the Ceiling