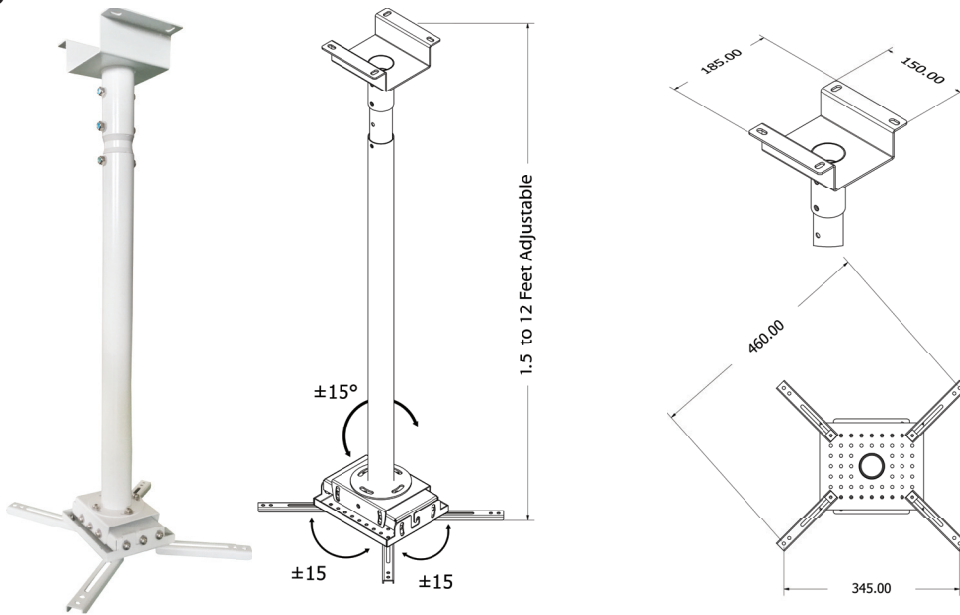


HEAVY DUTY SERIES

LG-HDCM-N19



Features

- Suitable for projectors up to 50 kg
- Mounts projector at 3, 4, 6, 8, and 12 ft. from ceiling with supplied extension rod
- Easy to adjust and fix projector in position
- +/-15° tilt adjustment, +/-45° roll adjustment
- Simple installation with all mounting hardware included
- Colour Available : White

Specification

LG-HDCM-3F-N19

Description	Heavy Duty Ceiling Mount Kit + Exp Rod 1.5/3 ft.
Material	Steel
Max. Load	50 kg
Clamp Length	150 mm
Product Weight	4.5 kg
Shipping Weight	5.5 kg
Shipping Dimension (L x W x H)	215 x 710 x 185

LG-HDCM-4F-N19

Description	Heavy Duty Ceiling Mount Kit + Exp Rod 2/4 ft.
Material	Steel
Max. Load	50 kg
Clamp Length	150 mm
Product Weight	5.0 kg
Shipping Weight	6.5 kg
Shipping Dimension (L x W x H)	215 x 860 x 185

*Dimensions in mm

HEAVY DUTY SERIES

LG-HDCM-N19

Specification

LG-HDCM-6F-N19

Description	Heavy Duty Ceiling Mount Kit + Exp Rod 3/6 ft.
Material	Steel
Max. Load	50 kg
Clamp Length	150 mm
Product Weight	5.5 kg
Shipping Weight	7.5 kg
Shipping Dimension (L x W x H)	215 x 1160 x 185

LG-HDCM-8F-N19

Description	Heavy Duty Ceiling Mount Kit + Exp Rod 4/8 ft.
Material	Steel
Max. Load	50 kg
Clamp Length	150 mm
Product Weight	7.5 kg
Shipping Weight	9.5 kg
Shipping Dimension (L x W x H)	215 x 1460 x 185

LG-HDCM-12F-N19

Description	Heavy Duty Ceiling Mount Kit + Exp Rod 6/12 ft.
Material	Steel
Max. Load	50 kg
Clamp Length	150 mm
Product Weight	8.5 kg
Shipping Weight	10.5 kg
Shipping Dimension (L x W x H)	215 x 2060 x 185

*Dimensions in mm