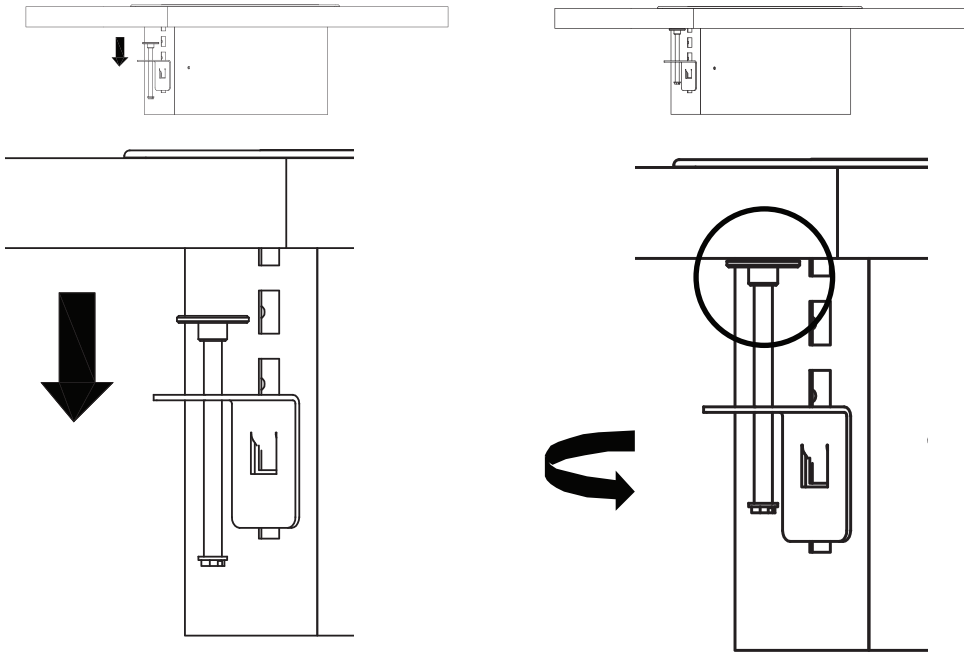


2. Installation

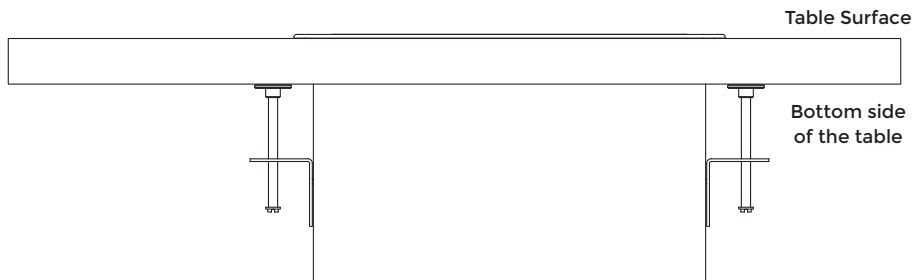
Cable Manager Locking Details



4. After positioning the cable manager into the table cut-out, insert the mounting clamp to the enclosure for securing the unit to the table surface (on both sides)

5. Softly tighten the screw to secure the enclosure towards the bottom side of the table (on both sides)

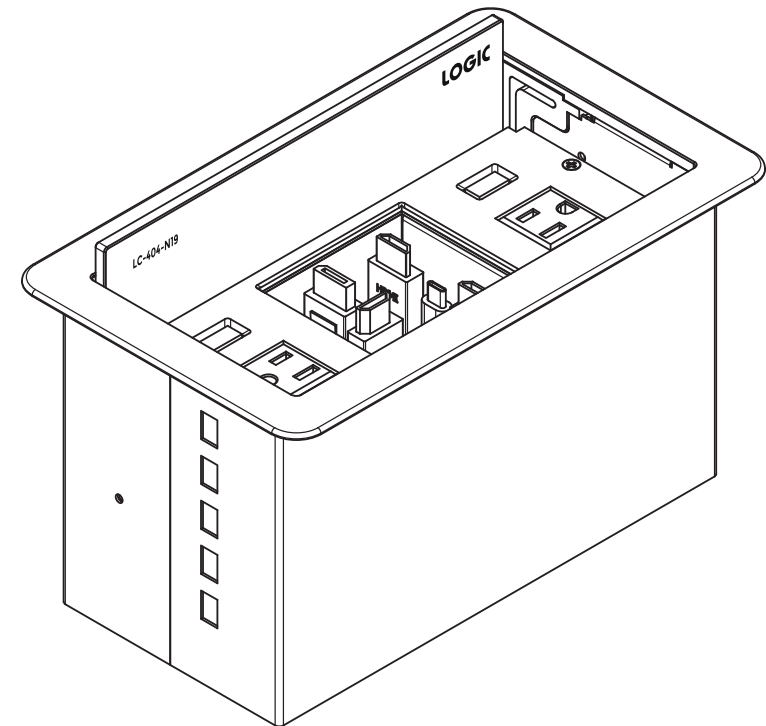
After installing the cable manager on the table



Ensure the mounting clamps has been assembled as per above instruction (on both sides)

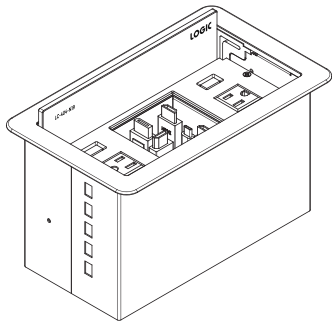
INSTALLATION MANUAL

CABLE MANAGER

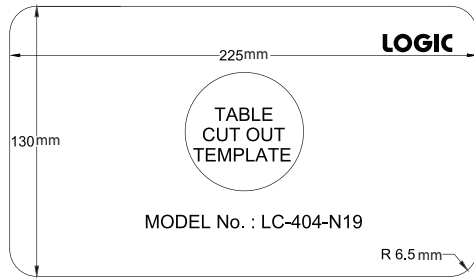


MODEL	SERIES
LC-404-N19	CABLE CUBBY SERIES

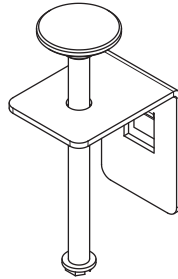
Checklist



Cable Manager x 1



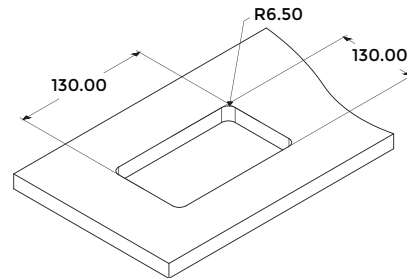
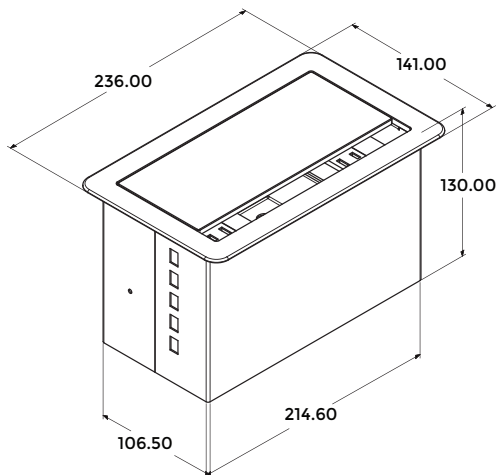
A: Cut-out template x1



B: Mounting clamp x 2

IMPORTANT: Prior to installation, ensure that you have received all the parts as per the checklist.

1. Product Dimension



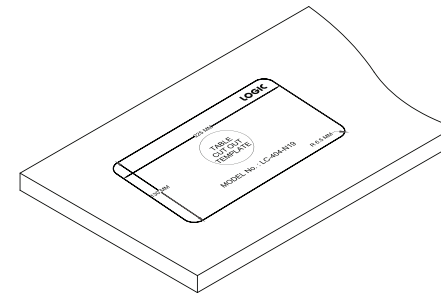
Dimension in mm

2. Installation

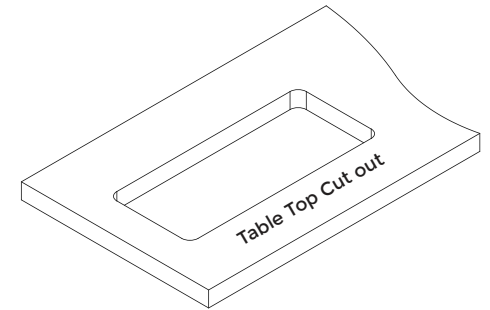
Instruction to provision the cut-out on the table:

ATTENTION: The cut-out on the table for the cable cubby should be executed only by an experienced craftsman to prevent any damage/scarring

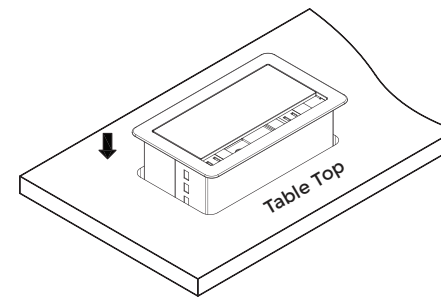
CAUTION: Wear safety glasses while operating power equipment. Failure to comply may result in eye injury



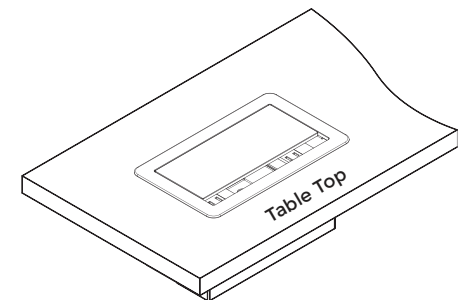
1. Place the cut-out template on the table



2. Follow template dimensions, to carry out the cut-out on the table



3. Then position the cable manager in the table cut-out



View after positioning the cable manager into the table