

LG-502H-IN

HYDRAULIC SERIES

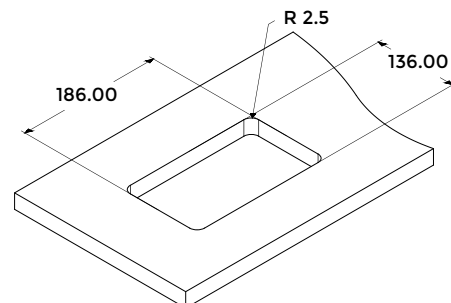
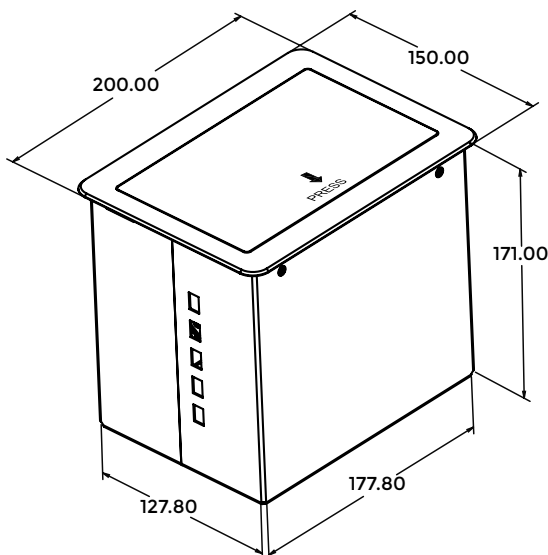


Features

- LG-502H-IN is designed with Hydraulic open and closed system
- Designed for perfect integration into the office furniture
- Soft opening with comfort and safety
- The product is made of steel and aluminium
- Product Weight : 2.3 kg
- Shipping Weight : 2.7 kg
- Shipping Dimension (L x W x H) : 235 x 175 x 300 mm
- Colour Available : Black

Connectivity

- 2 x Universal Power
- 2 x USB-A Mobile Charger
- 1 x HDMI 2.0V
- 1 x Type-C USB 3.1V
- 2 x CAT 6A RJ45 Network



*Dimensions in mm