

LG-50U-H

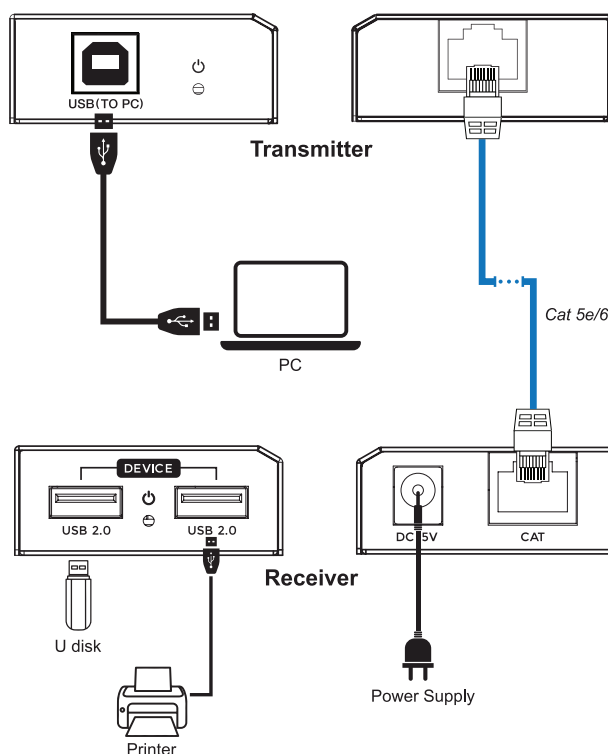
USB 2.0 EXTENDER - 50 METERS



The USB2.0 extender can easily send the USB signals via CAT 5e/6 cables up to 50 meters /164 ft. at the transmission rate of 480 Mbps. Without any configuration or software driver. In a transmitter, the USB-B port has connected to a PC. In the receiver, you can connect a device with a USB port at the two USB ports such as a U disk or printer.

Features

- Supports USB2.0 protocol & transmission rate up to 480 Mbps.
- Extends signal transmission distance of a USB device up to 50 meters via CAT 5e/6 cable.
(Note: The transmission distance can only be up to 40 meters / 131.2ft for some USB 2.0 Hub)
- Supports one USB-B port input in the transmitter.
- Supports two USB 2.0 ports output in the receiver.
- Receiver is powered supply by connecting 5V/1A power adapter.
- The most cost-effective USB extender solution.
- No additional software driver required.



LG-50U-H

USB 2.0 EXTENDER - 50 METERS

Specification

Transmitter

Inputs 1 x USB [USB-B, female]

Outputs 1 x CAT [RJ45, female]

Receiver

Inputs 1 x CAT [RJ45, female]

Outputs 2 x USB [USB-A, female]

General

USB Standard USB 2.0

Extender Distance 50 m (Note: The transmission distance can only up to 40 meters for some USB 2.0 Hub)

Connect Cable CAT5E, CAT6 STP cables with STP connectors

Interface Type USB A, USB B, RJ45

ESD Protection Human-body Model: $\pm 8\text{kV}$ (Air-gap discharge) , $\pm 4\text{kV}$ (Contact discharge)

Power Supply Input: AC100~240V 50/60Hz Output: DC 5V/1A

Transmitter Power Consumption 0.7W

Receiver Power Consumption 1W

Operating Temperature $0^{\circ}\text{C} \sim 40^{\circ}\text{C}$

Storage Temperature $-20^{\circ}\text{C} \sim 60^{\circ}\text{C}$

Relative Humidity 20~90% RH (No condensing)

Product Weight Transmitter / Receiver: 100g

Shipping Weight 0.4 kg

Product Dimension Transmitter / Receiver: 82mm (W) \times 49mm (D) \times 20mm (H)