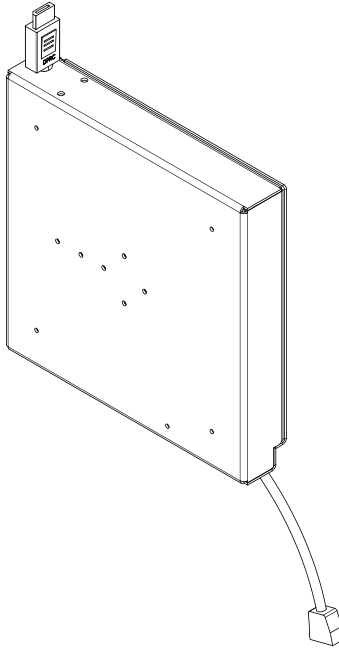


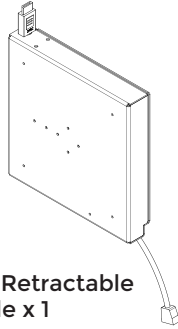
INSTALLATION MANUAL

RETRACTABLE MODULES FOR CABLE MANAGER

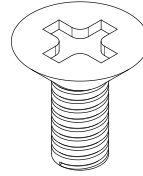


MODEL	SERIES
<input type="checkbox"/> LG-HDMIRC	RETRACTABLE SERIES MODULES
<input type="checkbox"/> LG-MDPRC	
<input type="checkbox"/> LG-TCRC	
<input type="checkbox"/> LG-USBRC	
<input type="checkbox"/> LG-RJ45RC	
<input type="checkbox"/> LG-DPRC	
<input type="checkbox"/> LG-VGARC	

Checklist

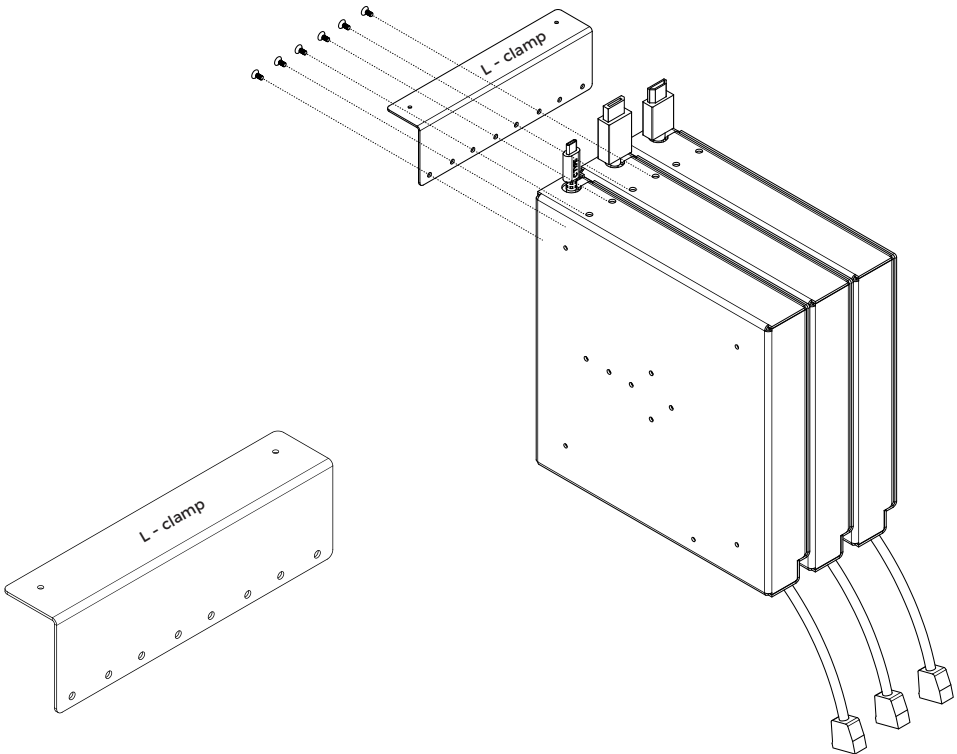


A: Cable Retractable
Module x 1



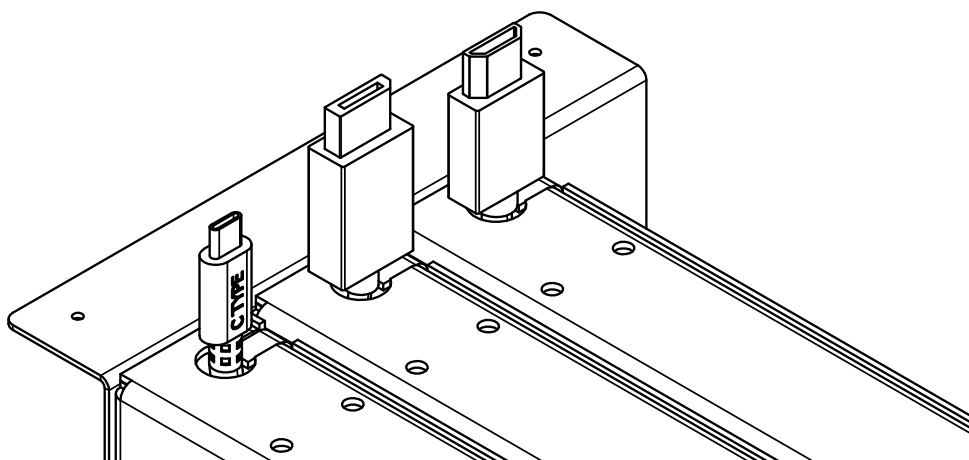
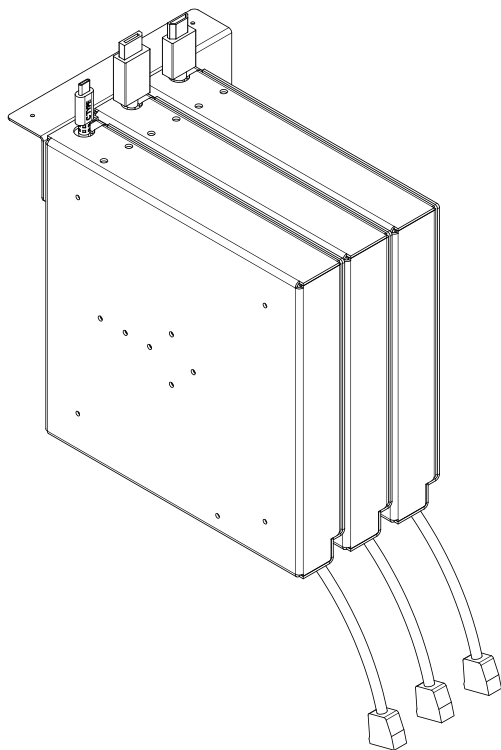
B: Screw x 4
(Extra Screw x 1)

1. Installation

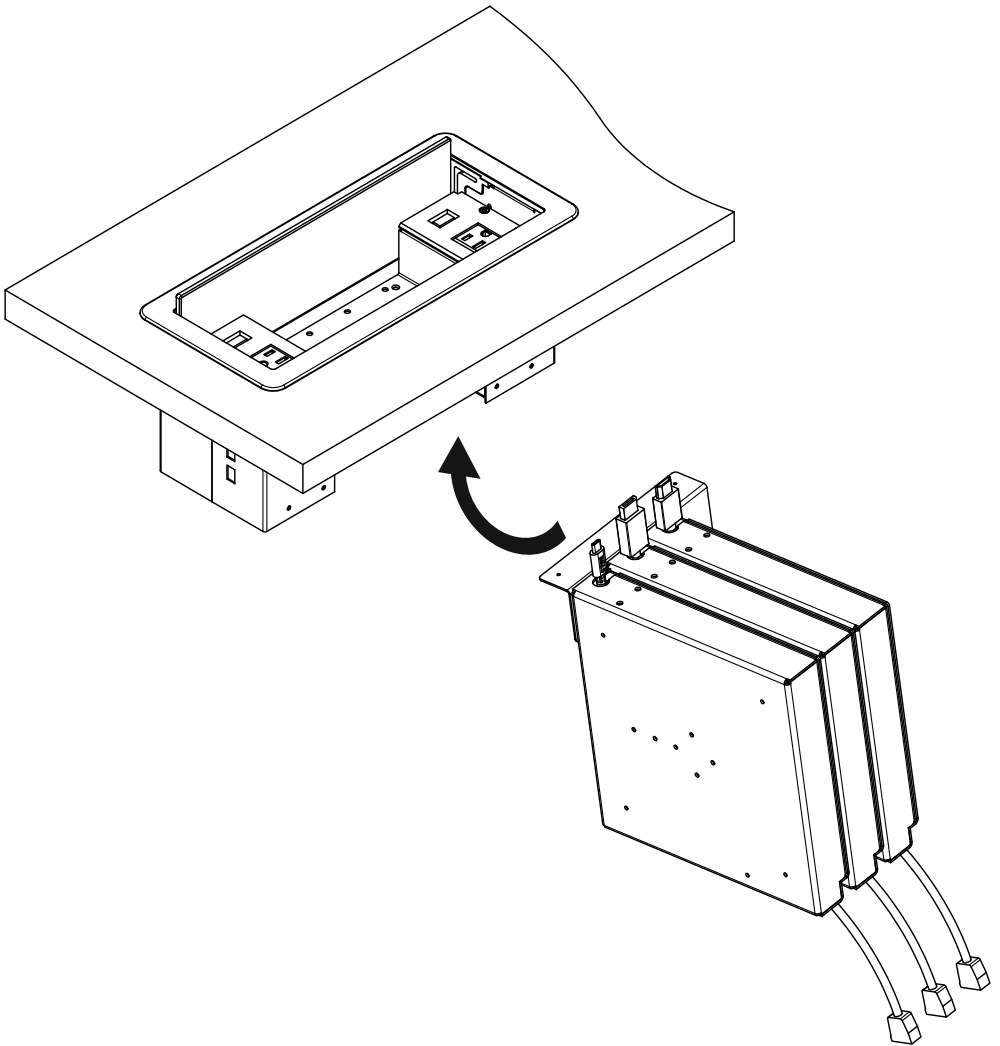


1. Use L-clamp and screws
2 nos from LG-805RC

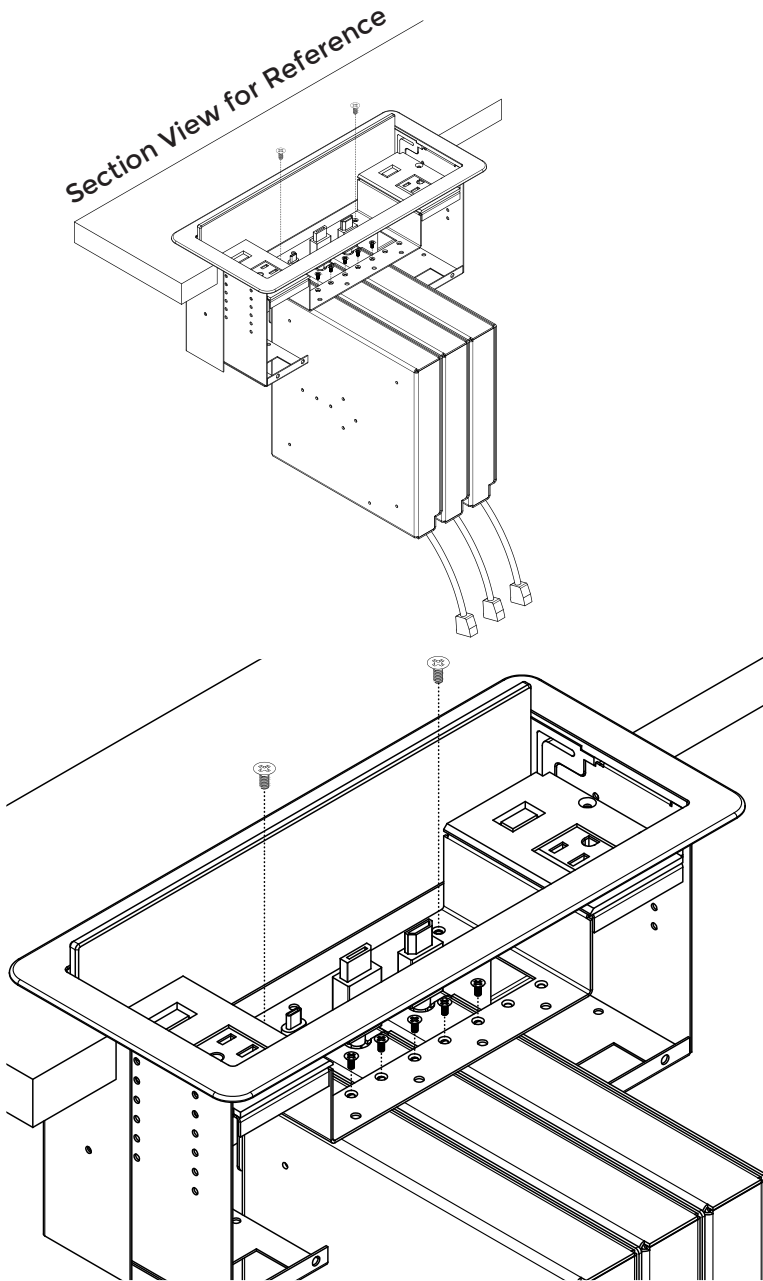
2. Position the L-clamp as shown in the
image and then, screw them softly
(Refer screw B in the module checklist)



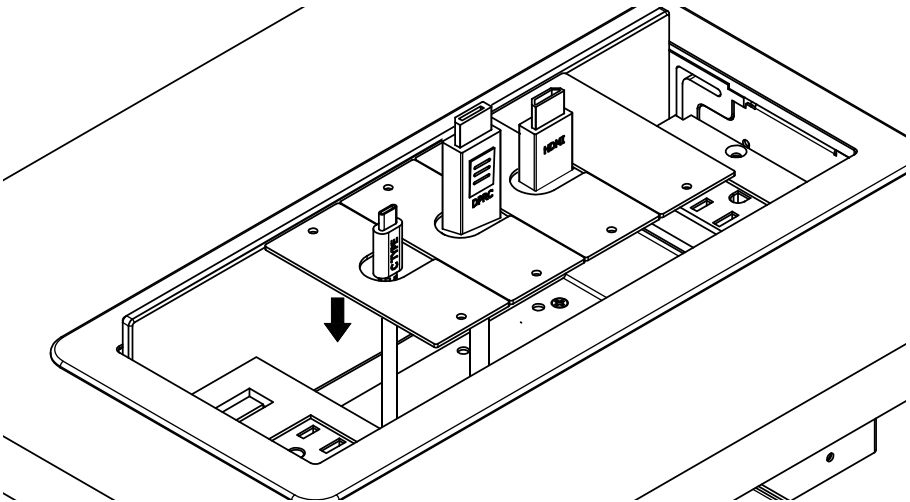
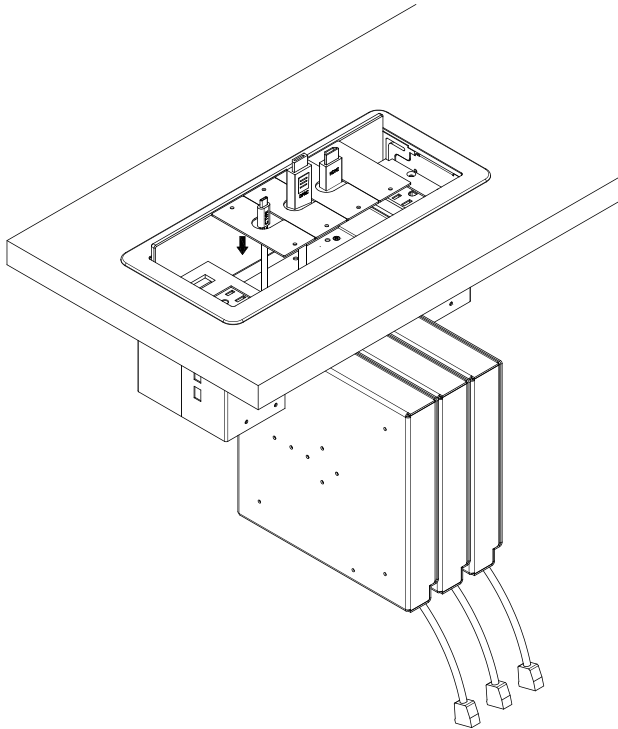
View after positioning
the L-clamp with modules



3. Insert the modules into the enclosure from the bottom side of the table

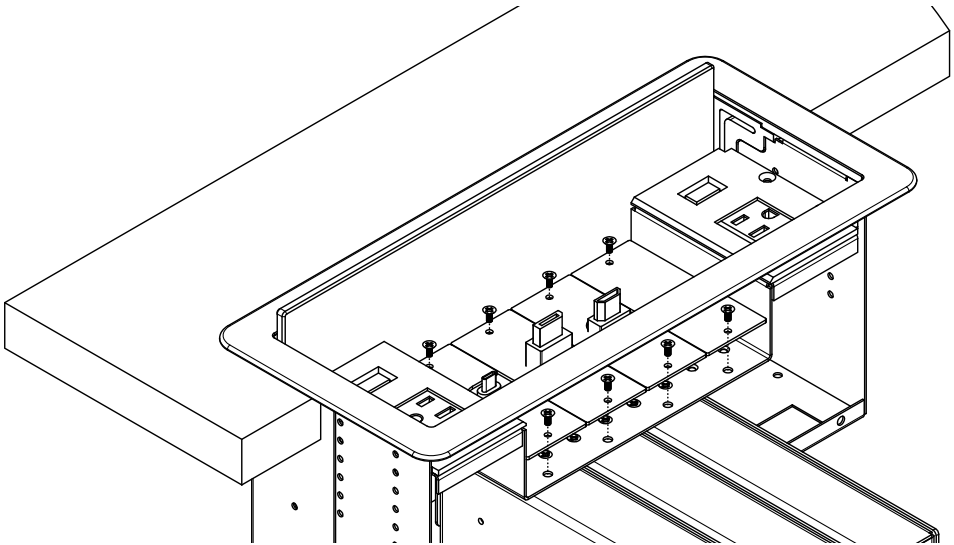
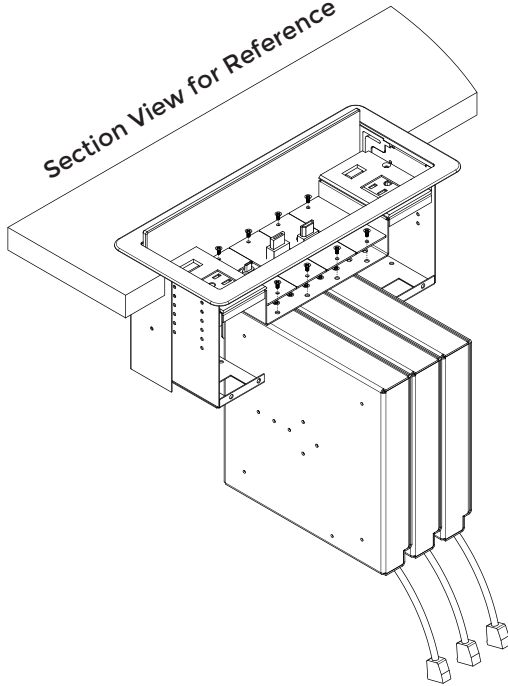


4. Mount the L-clamp (along with modules) to the enclosure with screws (Refer screw D in the LG-805RC checklist on both slots and module)



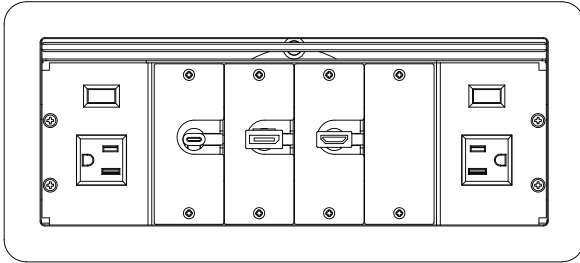
5. Pull the cable from the retractor and place it in the C-shape cut out (Refer C-shape plate H in the LG-805RC checklist) Further, position it on the enclosure Reference image for 3 x Modules and 1 x Blank plate (Refer blank plate G in the LG-805RC checklist)

Section View for Reference

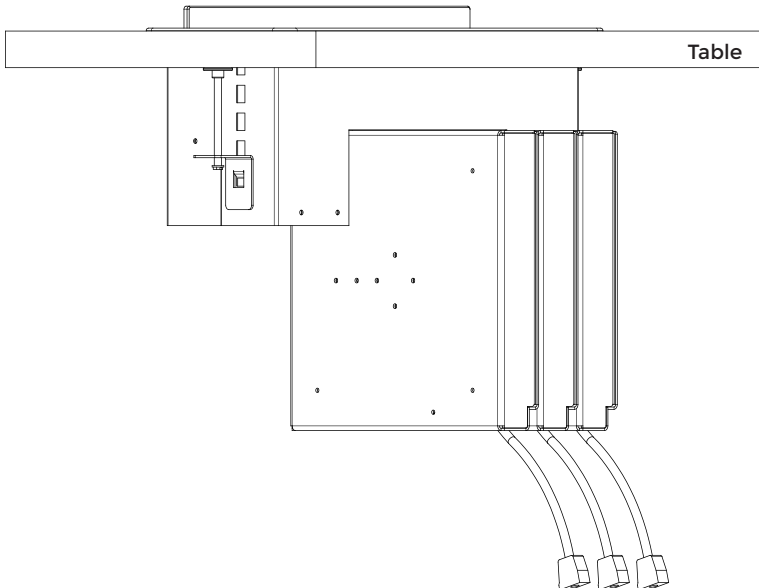


6. Position and softly tighten the screw (8 no's) as per the previous point (Refer screw E in the LG-805RC checklist)

Top view of the cable manager with three modules and one blank plate



Isometric view



Final view reference image