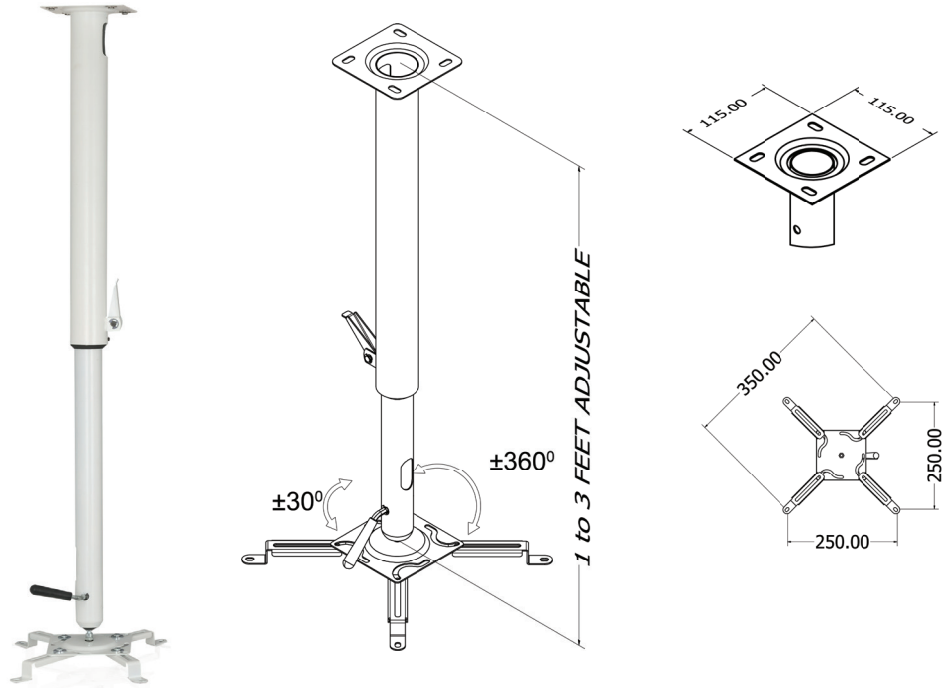


## CLASSIC SERIES

### LG-CCM



### Features

- Suitable for projectors up to 10 kg
- Mounts projector at 1 ft. to 3 ft. from ceiling with supplied extension rod
- Easy to adjust and fix projector in position
- +/-30° tilt adjustment & 360° roll adjustment
- Simple installation with all mounting hardwares included
- Colour Available : White

### Specification

#### LG-CCM-2F

Description	Classic Ceiling Mount Kit 1/2 ft.
Material	Steel
Max. Load	10 kg
Clamp Length	110 mm
Product Weight	1.1 kg
Shipping Weight	2 kg
Shipping Dimension (L x W x H)	430 x 140 x 130

#### LG-CCM-3F

Description	Classic Ceiling Mount Kit 1.5/3 ft.
Material	Steel
Max. Load	10 kg
Clamp Length	110 mm
Product Weight	1.7 kg
Shipping Weight	2 kg
Shipping Dimension (L x W x H)	580 x 140 x 140

\*Dimensions in mm