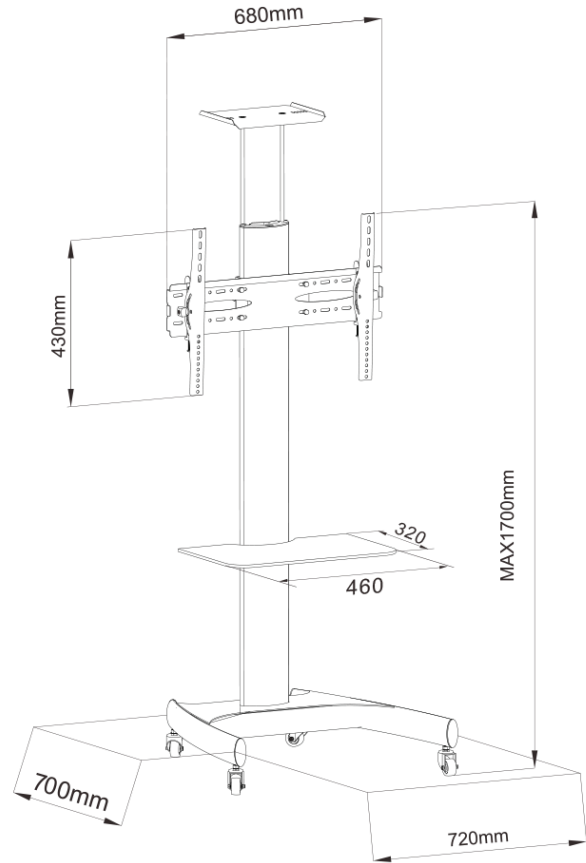


## FLOOR MOUNT TROLLEY

### LG-CORAL



### Features

- Universal in design to fit 32" to 65" displays
- The Floor mount can hold the weight up to 40 kg
- Comes with comfortable height adjustment feature
- Adds a top tray and adjustable middle ledge to carry A/V equipment
- VESA compliant
- Colours available - Black

### Specification

Max. Load	88 lbs (40 kg)
VC Camera Mount	Yes
VESA	200 x 200 to 600 x 400
Display Sizes	32" to 65"
Material	Steel and Aluminium
Product Weight	21 kg
Shipping Weight	23 kg
Shipping Dimension (L x W x H)	Base - 800 x 770 x 150 Stand - 1580 x 230 x 100

\*Dimensions in mm