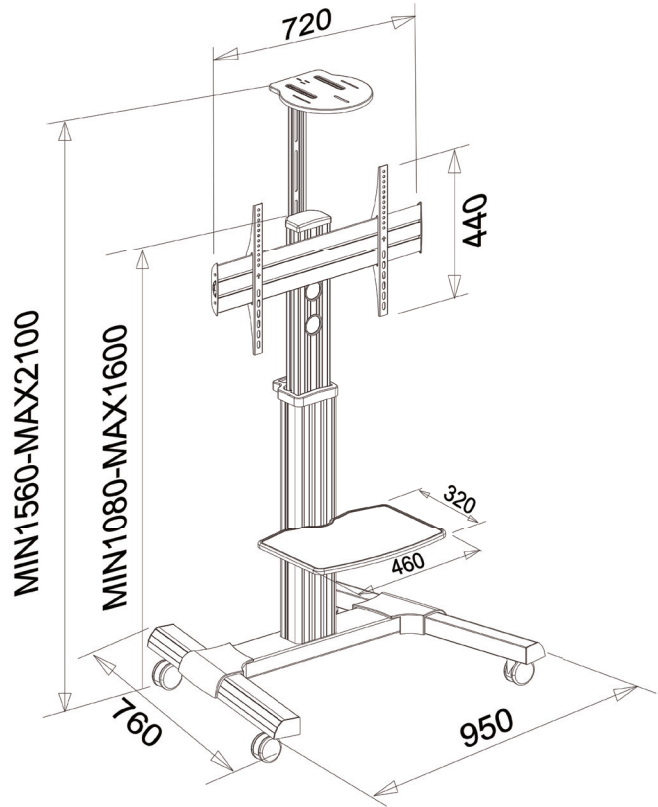


FLOOR MOUNT TROLLEY

LG-EMERALD 1



Features

- Universal in design to fit 40" to 70" displays
- The Floor mount can hold the weight up to 55 kg
- Integrated cable management system
- Comes with comfortable height adjustment feature
- Adds a top tray and adjustable middle ledge to carry A/V equipment
- VESA compliant
- Colours available - Black

Specification

Max. Load	121 lbs (55 kg)
VC Camera Mount	Yes
VESA	200 x 200 to 600 x 400
Display Sizes	40" to 70"
Material	Steel and Aluminium
Product Weight	22 kg
Shipping Weight	25 kg
Shipping Dimension (L x W x H)	1070 x 710 x 210

*Dimensions in mm