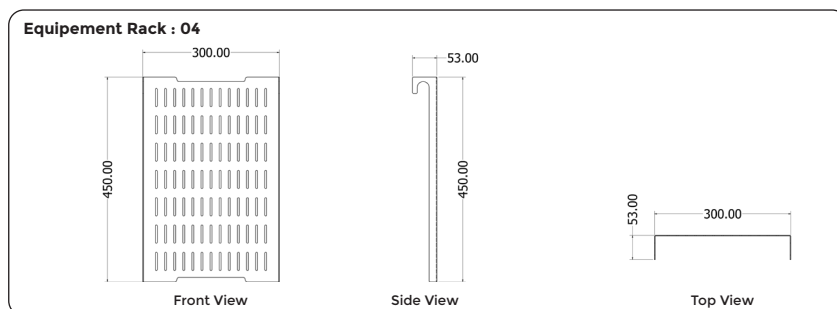
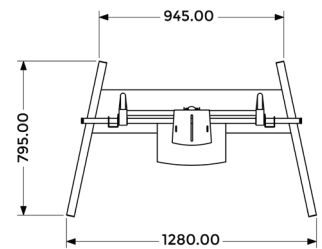
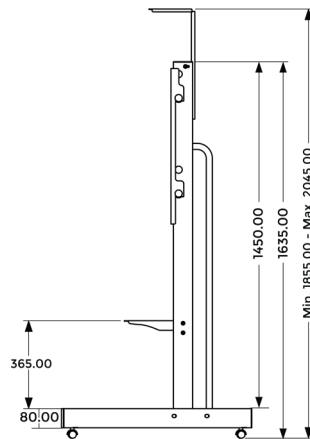
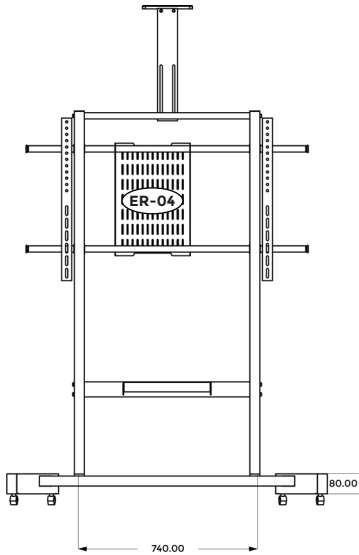
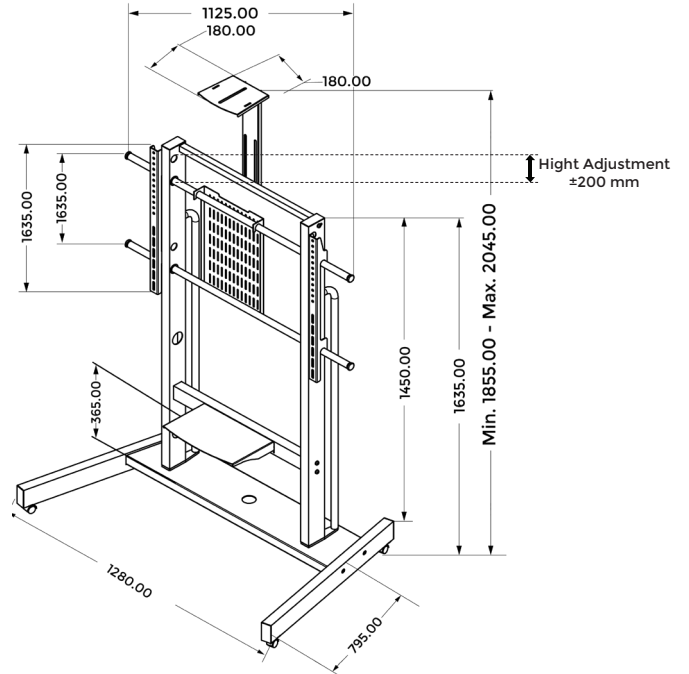
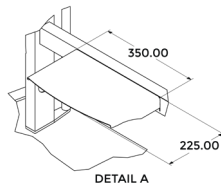


DISPLAY MOUNT BRACKETS

LOGIC

FLOOR MOUNT TROLLEY : LG-EMERALD 3-N20

EQUIPEMENT RACK : ER-04 (OPTIONAL ACCESSORIES)



*Dimensions in mm

FLOOR MOUNT TROLLEY : LG-EMERALD 3-N20

EQUIPEMENT RACK : ER-04 (OPTIONAL ACCESSORIES)

Features

- Universal in design to fit 72" to 98" displays
- The Floor mount can hold weight up to 130 kg
- Height adjustment feature for ultimate convenience
- Integrated cable management system
- An Equipment Tray and Adjustable Camera Ledge to Carry A/V Equipment
- VESA compliant
- Colours available - Black

Specification

Model Number	LG-EMERALD 3-N20	ER-04
Max. Load	287 lbs (130 kg)	22 lbs (10 kg)
VC Camera Mount	Yes	-
VESA	400 x 400 to 900 x 600	-
Display Sizes	72" to 98"	72" to 98"
Material	Steel	-
Product Weight	Base-20 kg Stand- 20 kg	1.6 kg
Shipping Weight	Base-22 kg Stand- 22 kg	-
Shipping Dimension (L x W x H)	Base - 1525 x 575 x 85 Stand - 1525 x 575 x 85	-

*Dimensions in mm