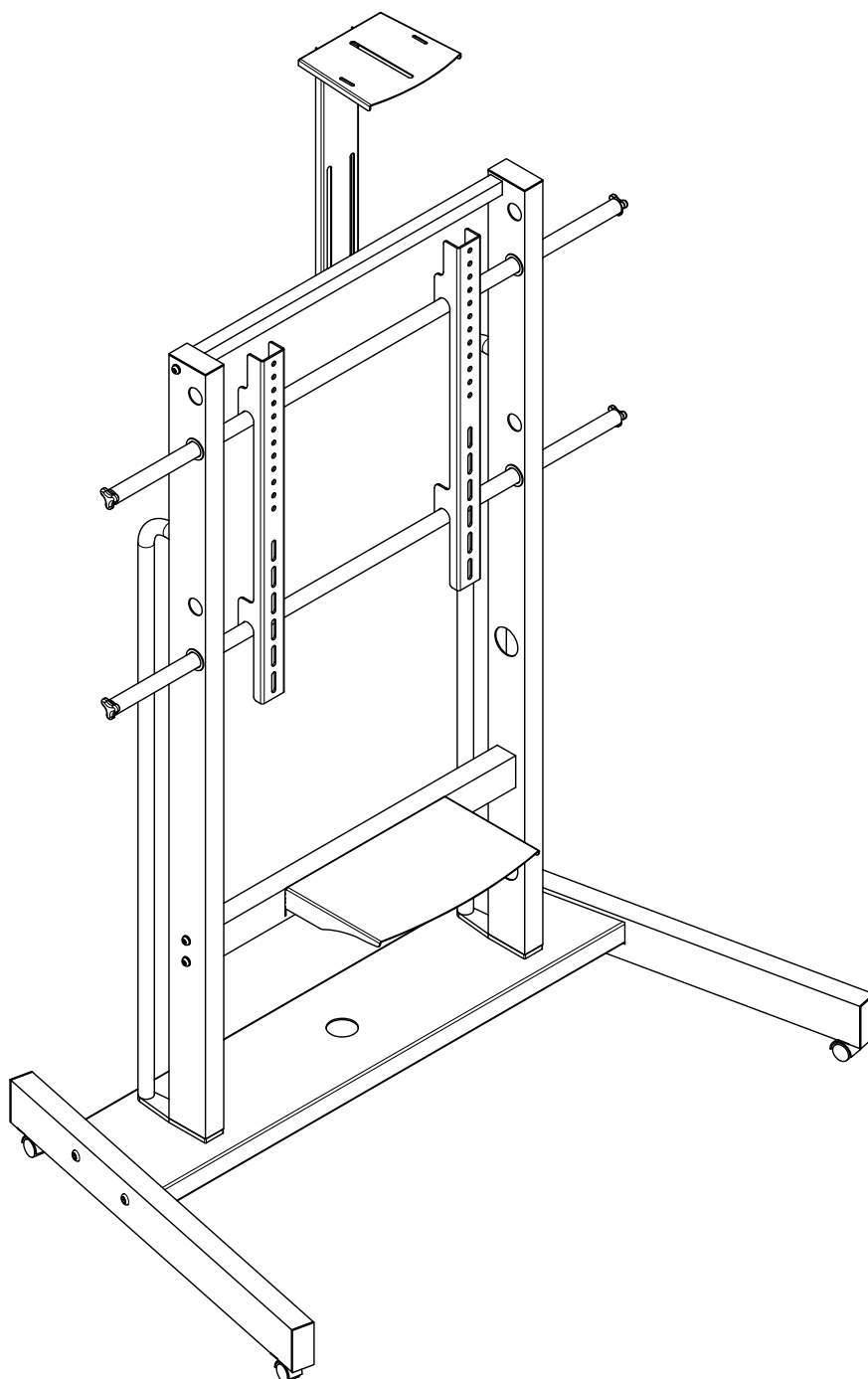


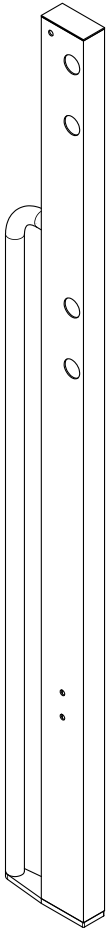
INSTALLATION MANUAL

FLOOR MOUNT TROLLEY/AV CART

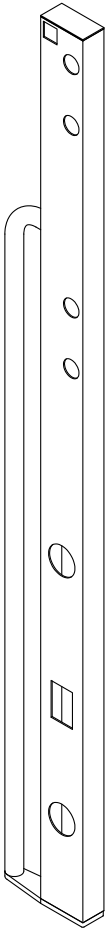


MODEL	SERIES	VESA	DISPLAY SIZE	MAX LOAD
LG-EMERALD 3-N20	FLOOR MOUNT TROLLEY/AV CART	100x100 to 900x600	72" to 98"	287 lbs (130 kg)

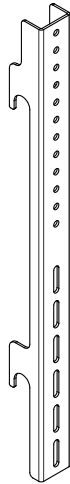
Checklist



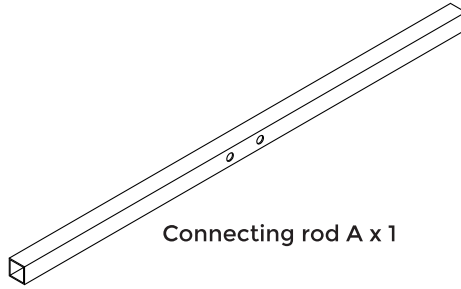
Right floor rail x 1



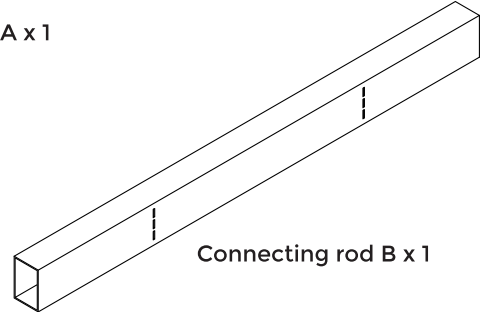
Left floor rail x 1



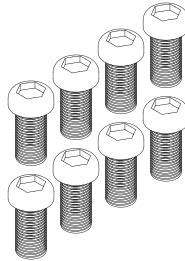
Interface bracket x 2



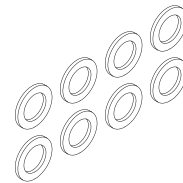
Connecting rod A x 1



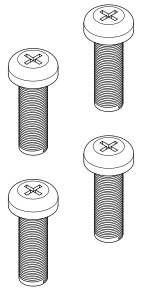
Connecting rod B x 1



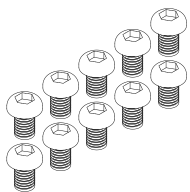
M-A: M12 x 25 x 8



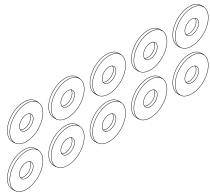
M-B: M12 washer x 8



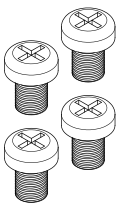
M-C: M6 x 40 x 4



M-D: M8 x 15 x 10



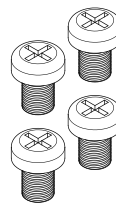
M-D: M8 washer x 20
(Metal washer x 10,
plastic washer x 10)



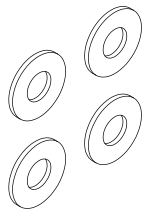
M-E: M8 x 25 x 4



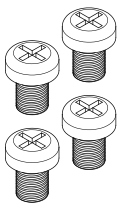
M-E: M8 washer x 8
(Metal washer x 4,
plastic washer x 4)



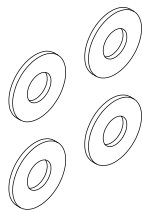
M-F: M6 x 25 x 4



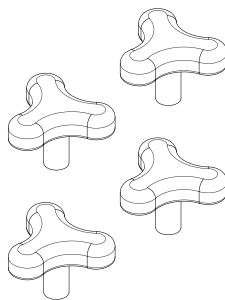
M-F: M6 washer x 8
(Metal washer x 4,
plastic washer x 4)



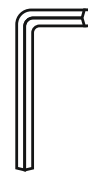
M-G: M5 x 25 x 4



M-G: M5 washer x 8
(Metal washer x 4,
plastic washer x 4)



M-H: Knob x 4



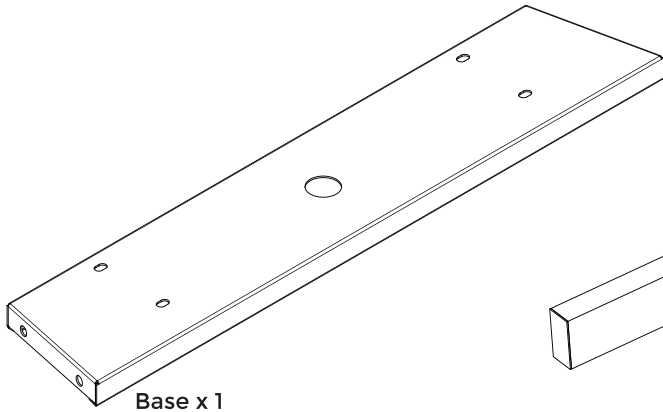
M-H: Allen key 5mm x 1



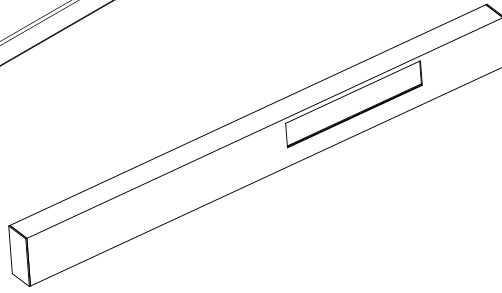
M-H: Allen key 8mm x 1

IMPORTANT : Ensure that you have received all parts according to the checklist prior to installation.

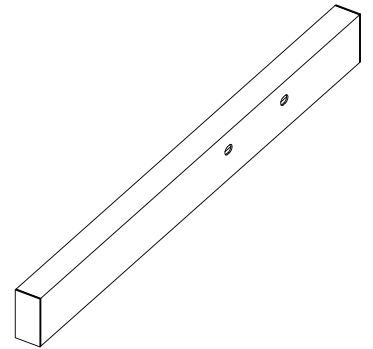
Checklist



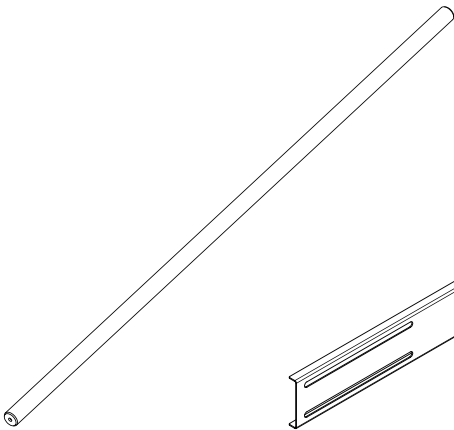
Base x 1



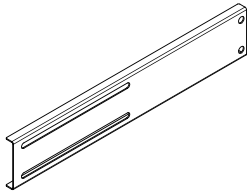
Base right rail x 1



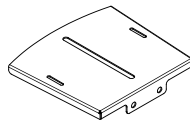
Base left rail x 1



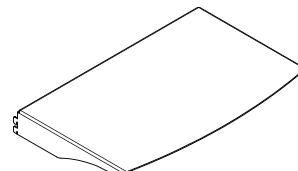
Connecting rod x 2



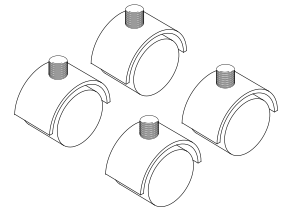
Adjustable plate x 1



Camera ledge x 1



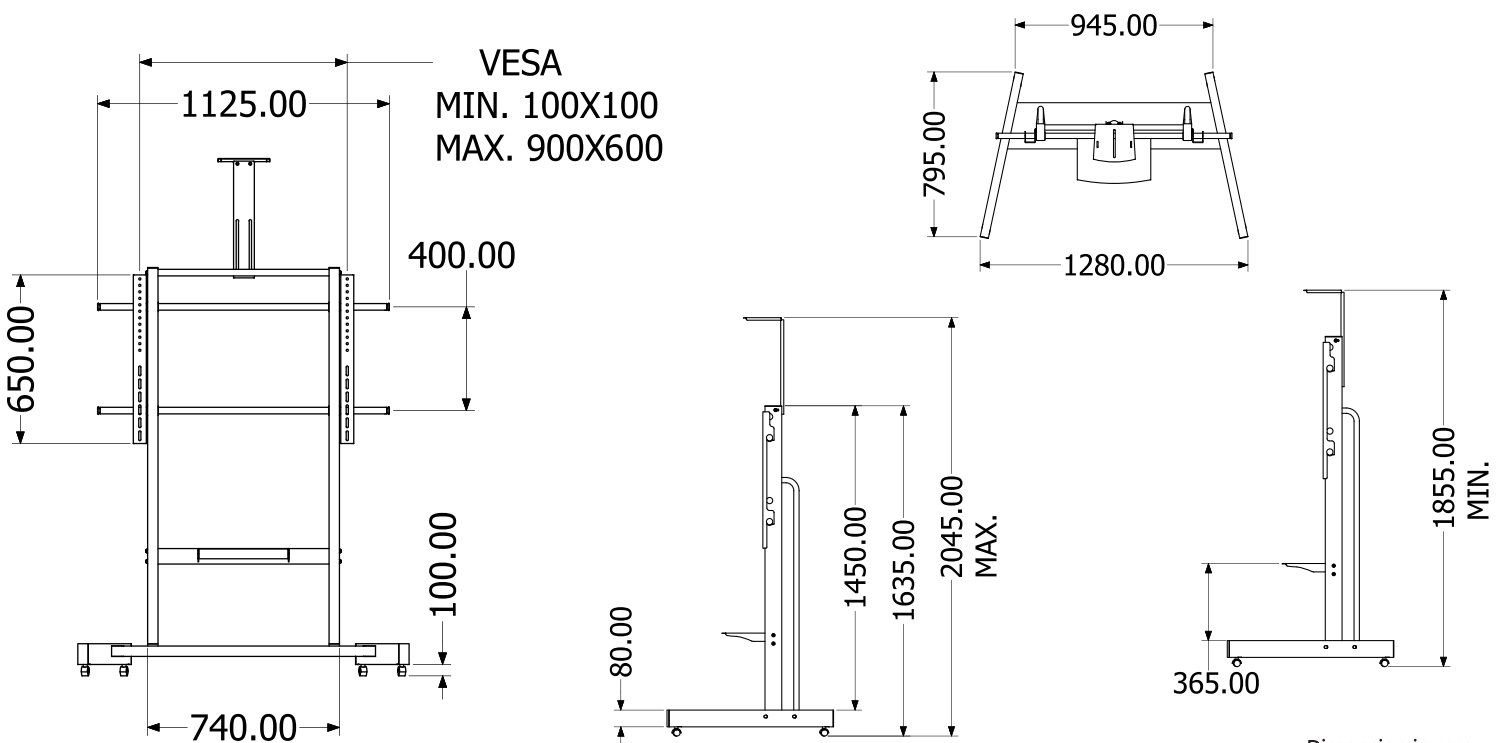
Tray x 1



Wheel x 4
(2 with break,
2 without break)

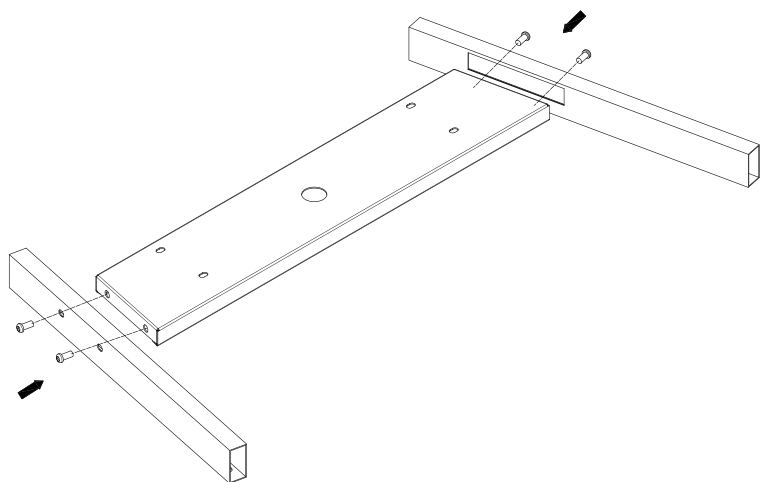
IMPORTANT : Prior to installation, ensure that you have received all the parts as per the checklist

1. Product Dimension

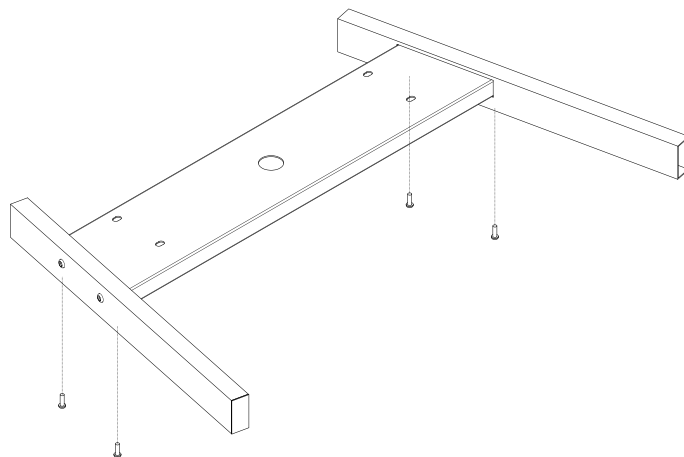


2. Installation

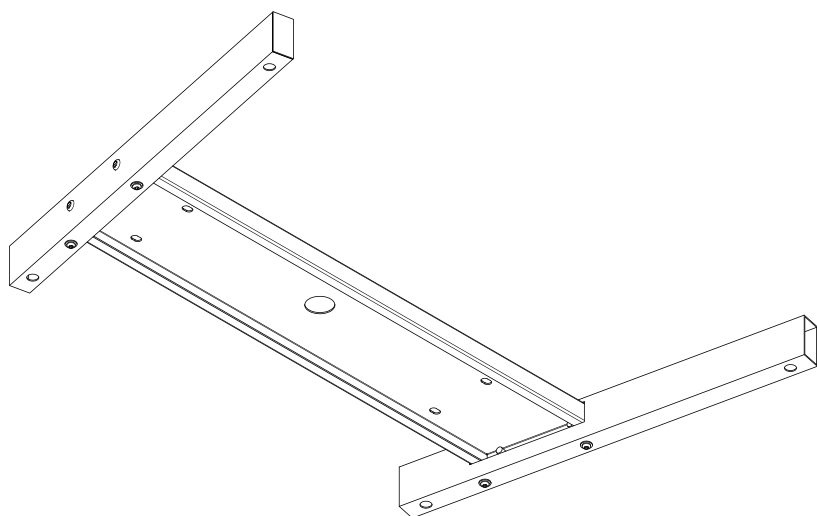
Instructions for fixing floor mount.



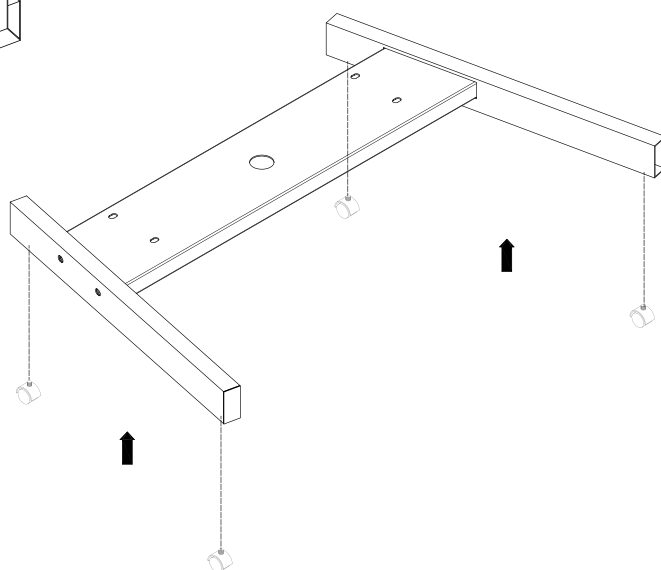
1. Place the base unit to base left and right rail, insert the washer and screw (Refer M-A, M-B in the checklist - stand unit)



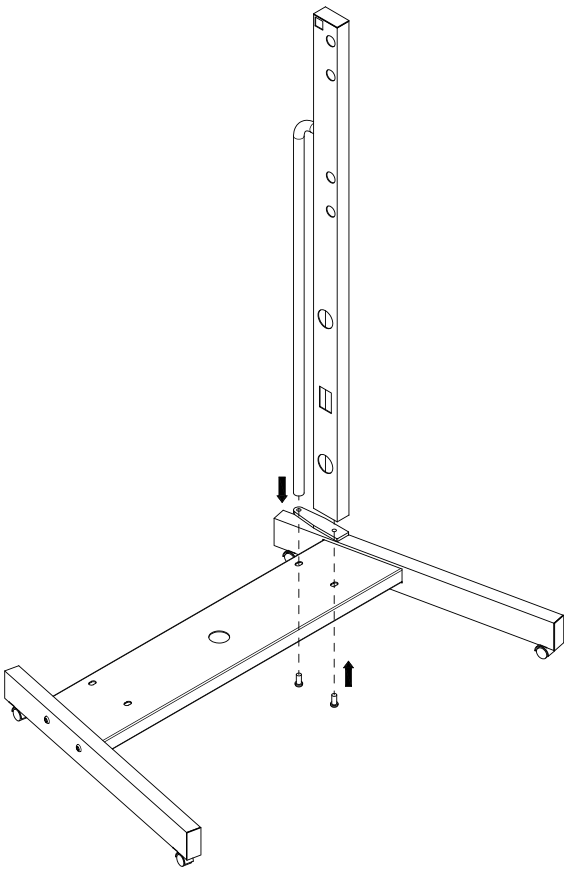
2. Insert the screw to the bottom side of the base rail (Refer M-C in the checklist - stand unit)



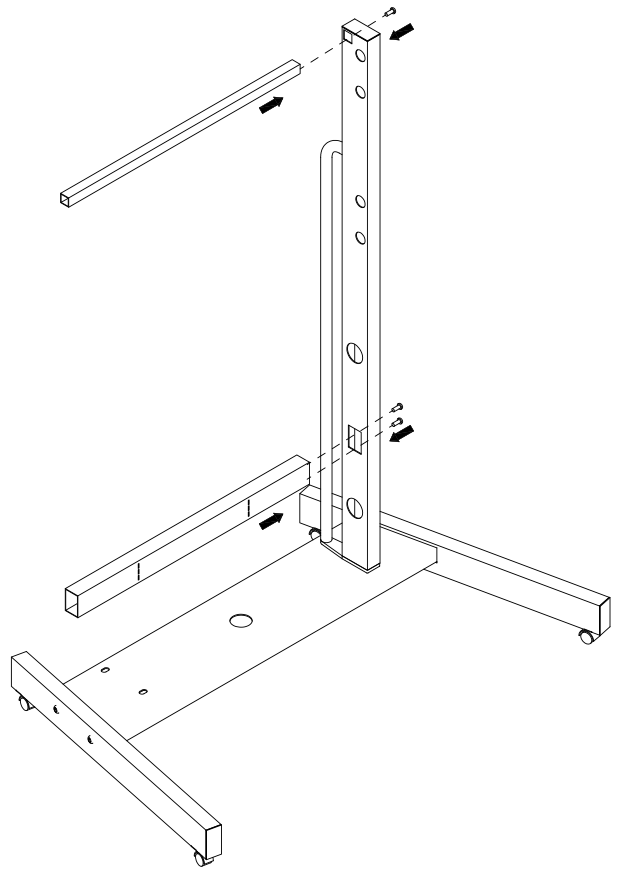
View after inserting the screw to bottom side of the base rail



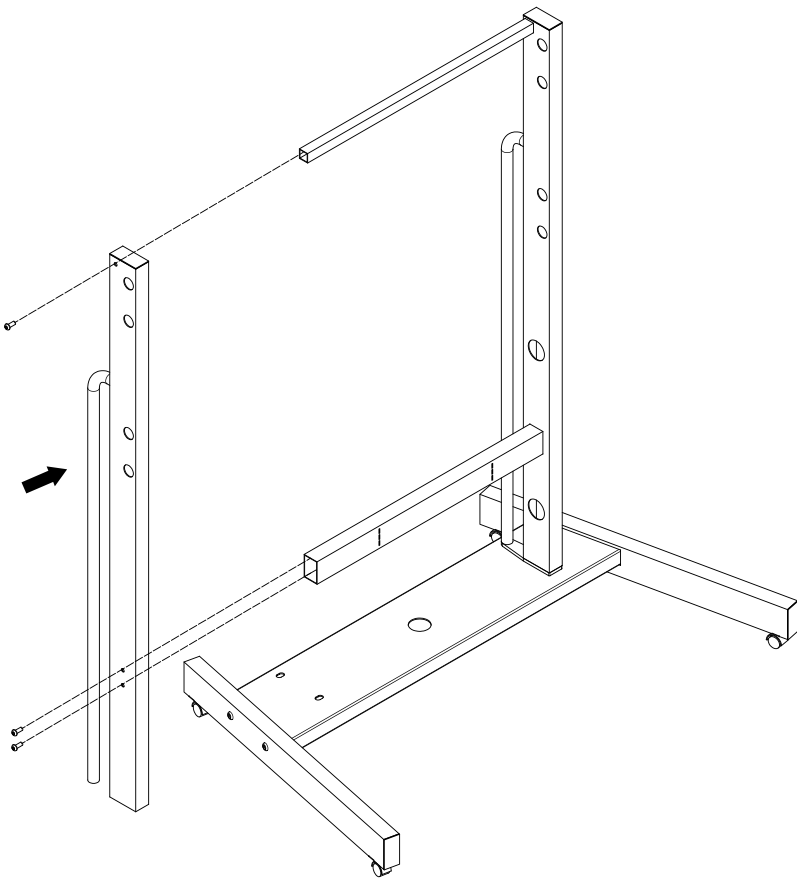
3. Place the wheels to bottom side of the base left and right rail and rotate wheel thread until it fully but to base rail



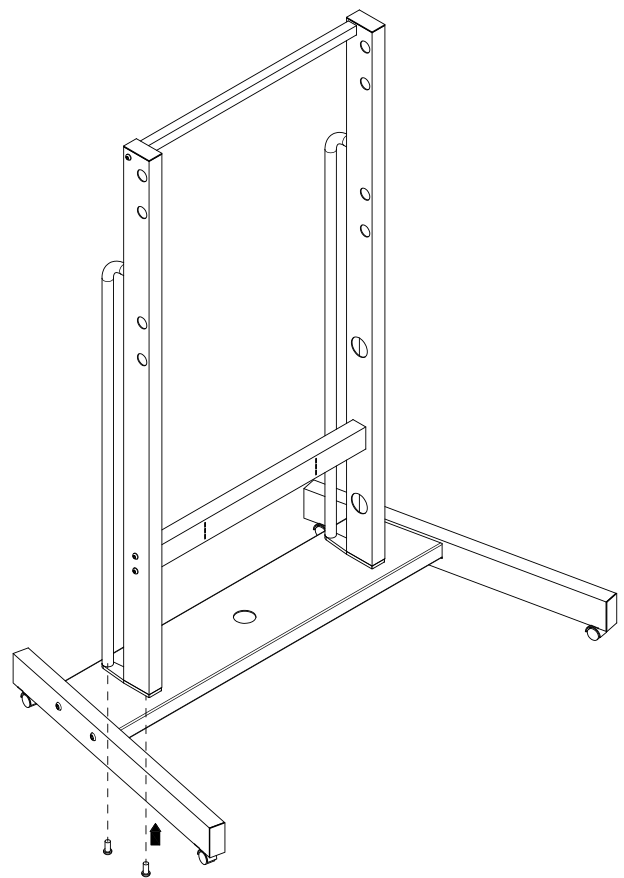
4. Place the left stand rail on the assembled base unit and insert the washer and screw (Refer M-A, M-B in the checklist - stand unit)



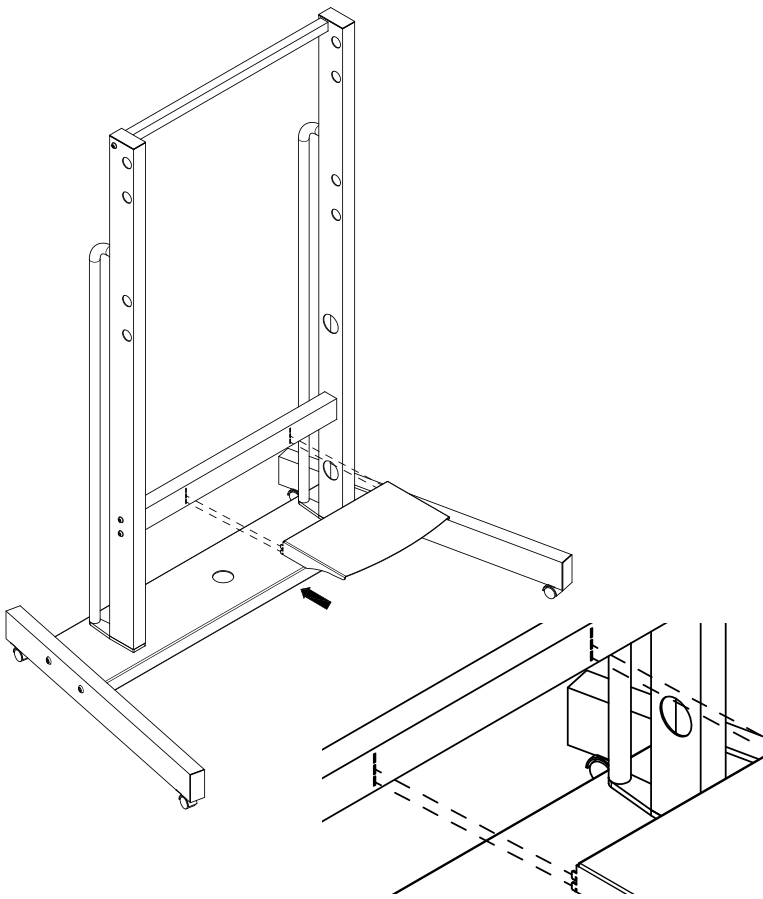
5. Place the connecting rod on the left stand rail and insert the washer and screw (Refer M-D in the checklist - stand unit)



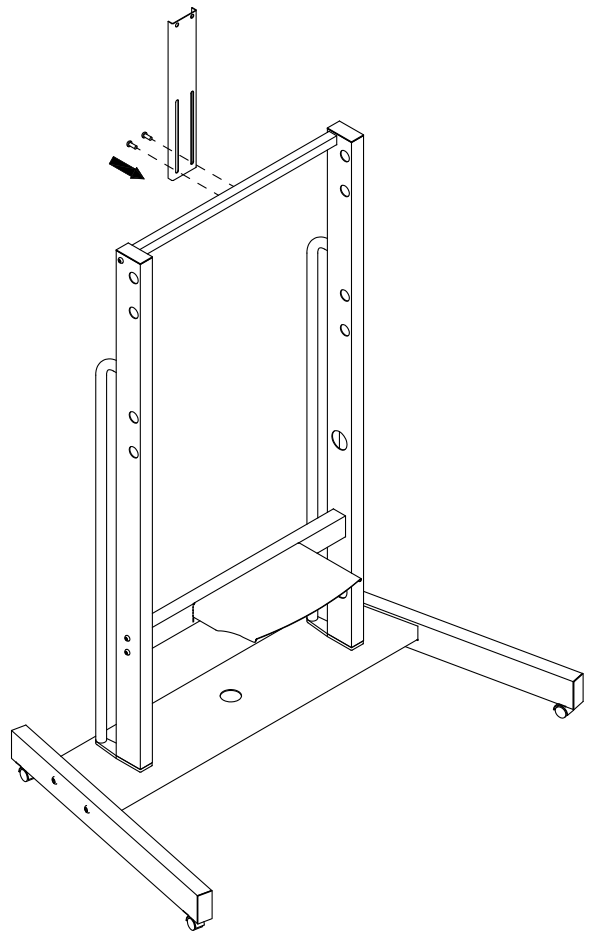
6. Place the right stand rail on the semi assembled unit and insert the washer and screw
Note:
(Refer M-D in the checklist - stand unit)



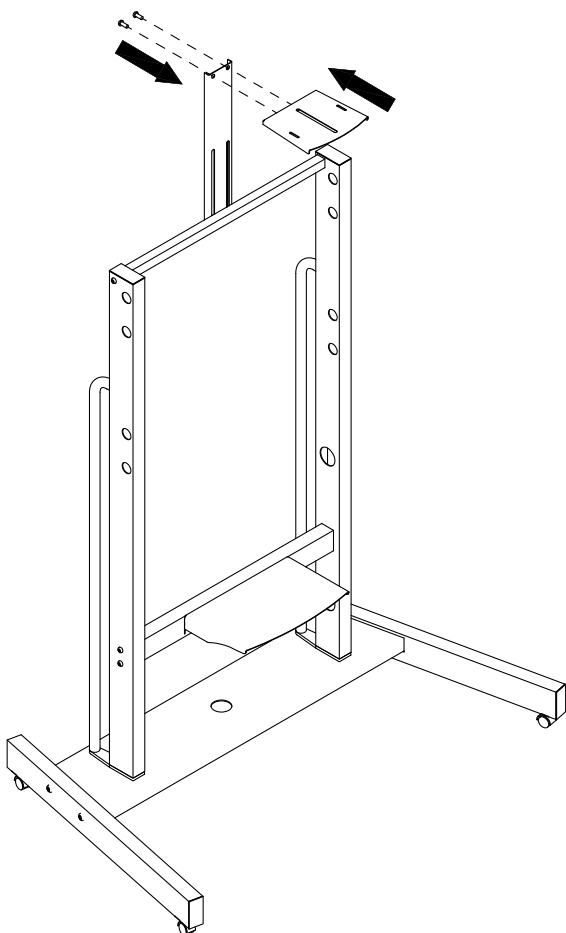
7. After finishing the previous step 4, insert the washer and screw
Note:
(Refer M-A, M-B in the checklist - stand unit)



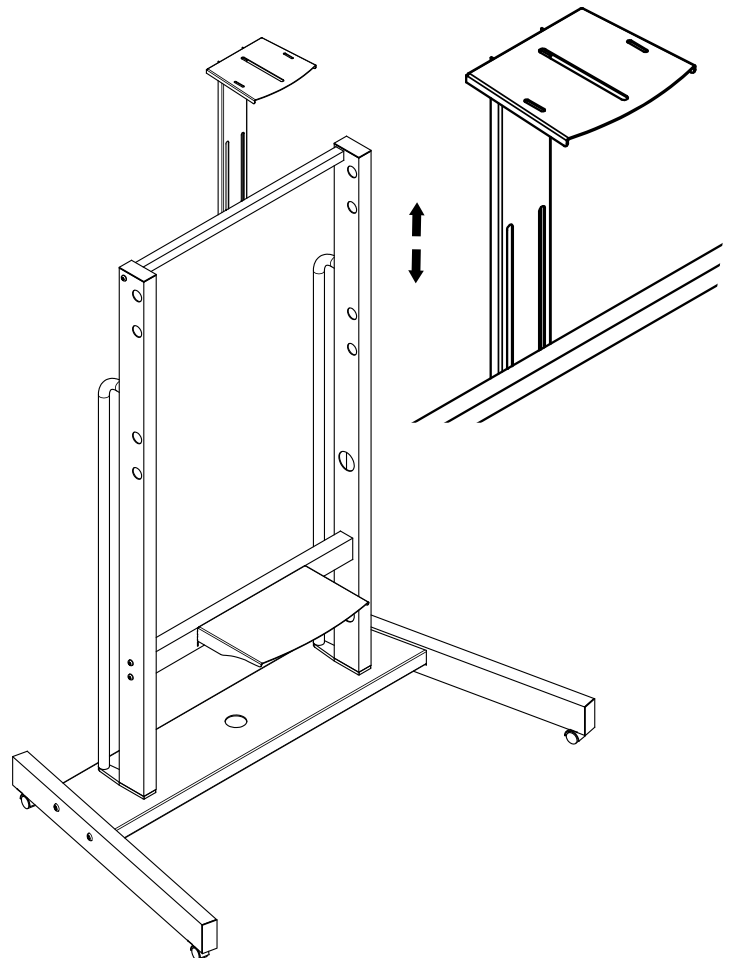
8. Place the tray on the connecting rod slot and press the downwards to lock



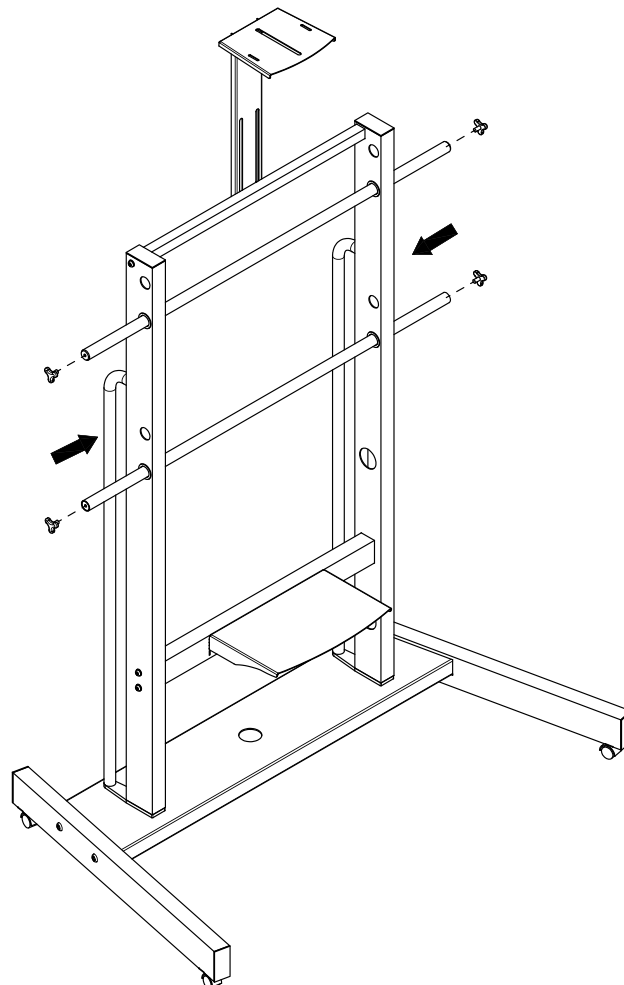
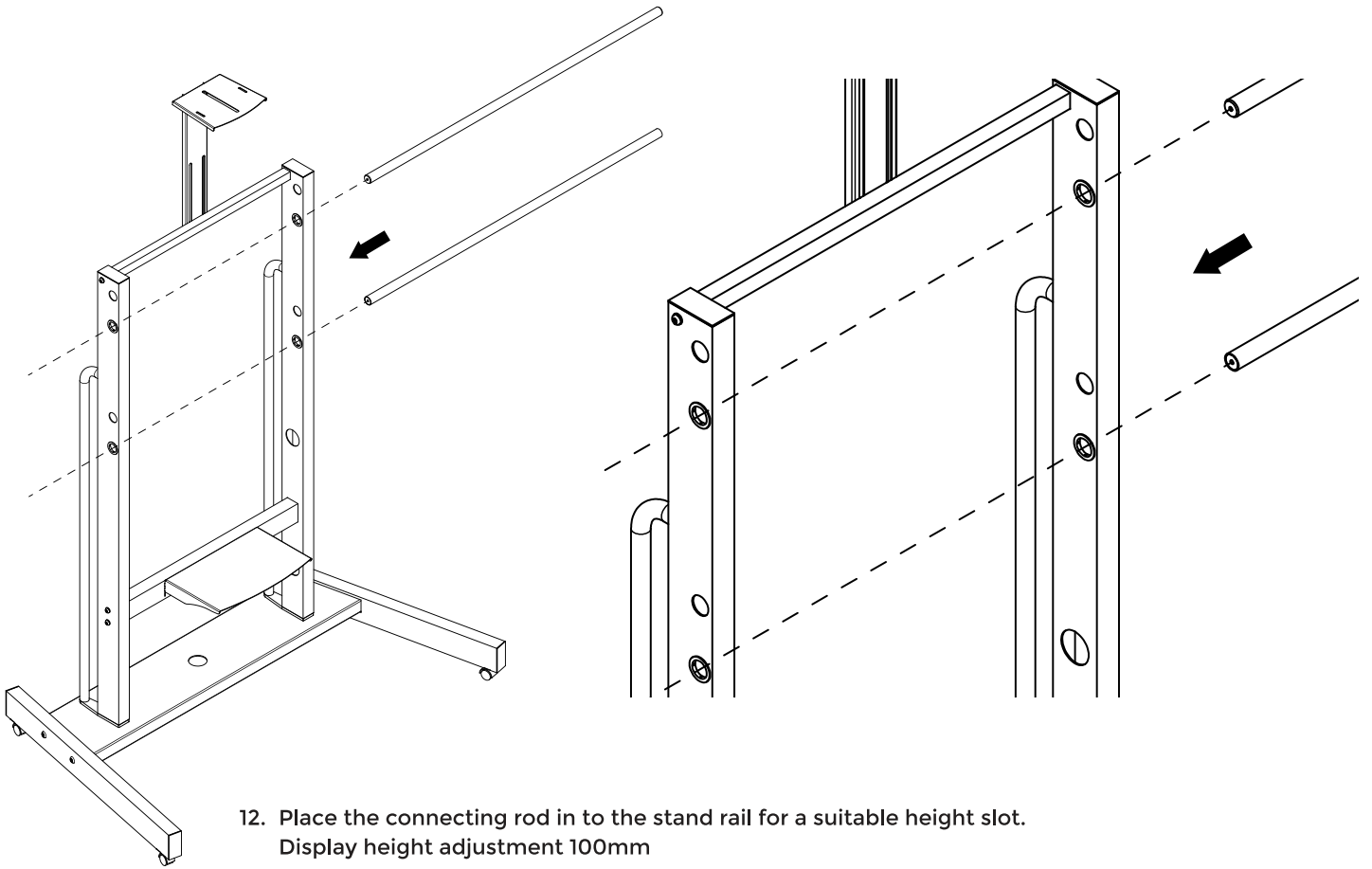
9. Place the adjustable plate and insert the washer and screw (Refer M-D in the checklist - stand unit)

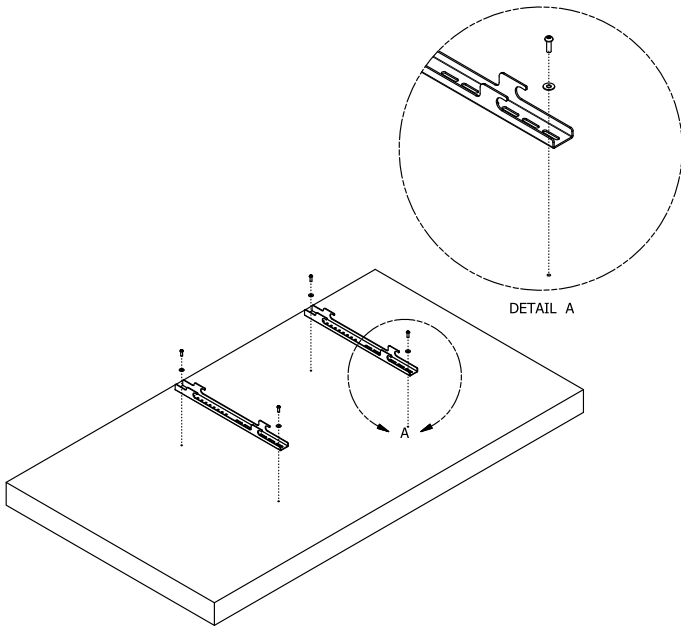


10. Place the camera ledge on the adjustable plate and insert the screw (Refer M-D in the checklist - stand unit)

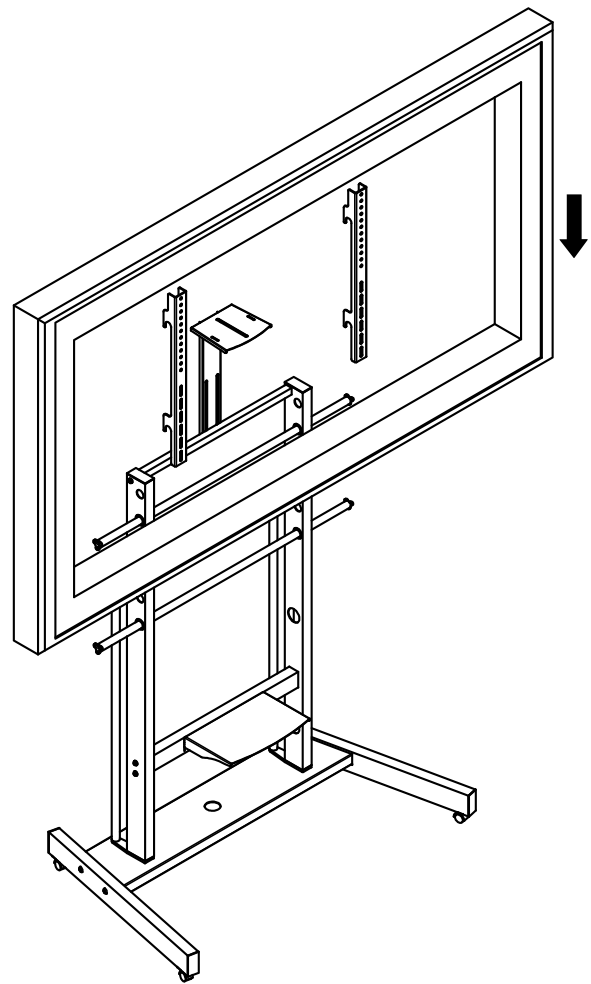


11. Camera ledge can adjust upto 250mm height

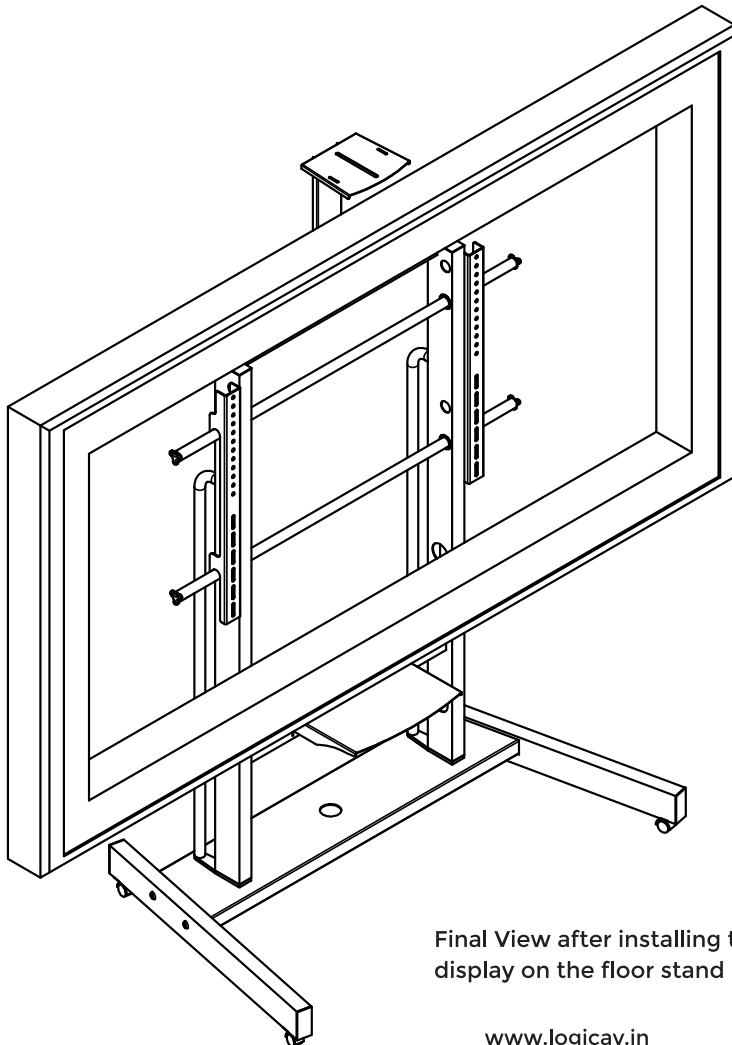




14. Place the interface bracket on the TV/ display and insert the washer and screw (Refer the checklist for the suitable screw and washer)



15. Place the TV/ display on the floor stand



Final View after installing the mounted display on the floor stand