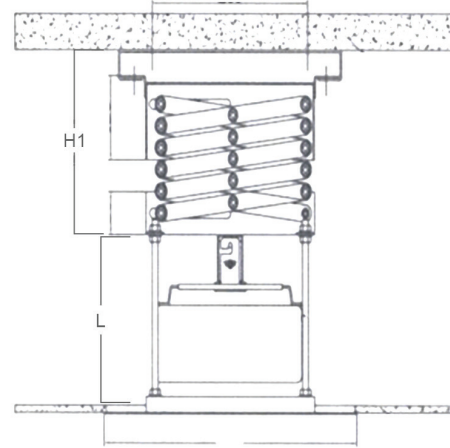
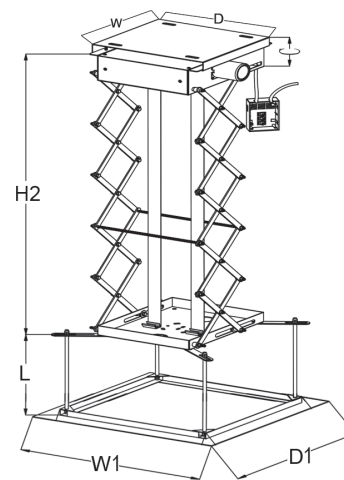


PROJECTOR MOTORIZED MOUNT (STEEL)

LG-SPM150



Lift Closed View



Lift Opened View

Features

- Mount extension is from 150 cm
- The product is made of steel
- High quality motorization
- Quiet and smooth operation
- Maximum weight capacity is 15 kg
- Colours Available : White

Specification

Description	Steel Motorized Projector Lift 150 cm
Ceiling Depth	Min. 600 mm
Max Load	15 kg
Motor	Tubular Motor
Power Supply	220-230 V 50 Hz
Width (W)	320 mm
Depth (D)	320 mm
Bottom Plate Width (W1)	490 mm
Bottom Plate Depth (D1)	490 mm
Lift Size Closed (H1)	260 mm
Lift Size Opened (H2)	1500 mm
Connecting Piece (L)	290 mm
Lift Size Opened Including Fixing (H2 + L)	1790 mm
Suggested Projector Size (W x H x D)	<350 x 200 x 350 mm
Control System	RF
Product Weight	20.0 kg
Shipping Weight	23.0 kg
Shipping Dimension (L x W x H)	530 x 530 x 350 mm