



## **WORSTATION MOBILE WIRELESS CHARGER**

### **LG-WC15W-S**



#### **Features**

- The LG-WC15W-S is a mobile wireless charger Can be used with multiple mobile phones (mobile phones should have wireless charging capability)
- Perfect for a workstations, boardroom meeting tables and other applications
- Designed to fit your modern work environment

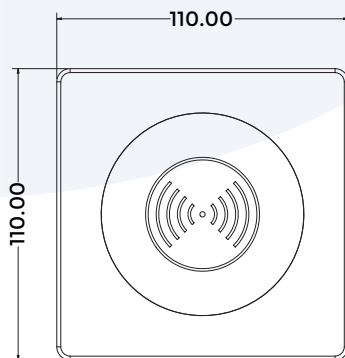


# WORSTATION MOBILE WIRELESS CHARGER

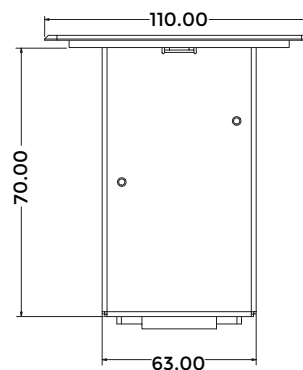
## LG-WC15W-S

- Quick and easy installation
- The product is made up of steel and aluminium
- Product Weight : 0.3 kg
- Shipping Weight : 0.4 kg
- Shipping Dimension : 150 x 120 x 150 mm (L x W x H)
- Colour available : Black

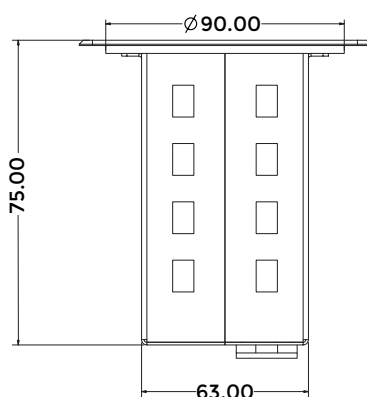
### Technical Details:



Top View



Front View



Side view

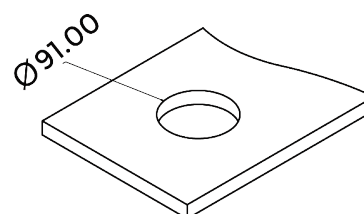


Table Cutout

\*Dimensions in mm