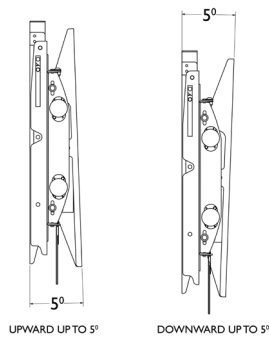
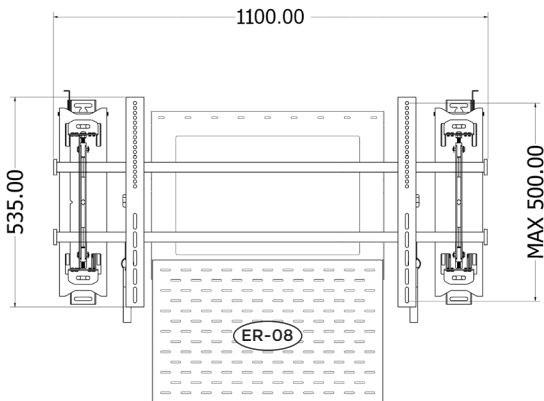
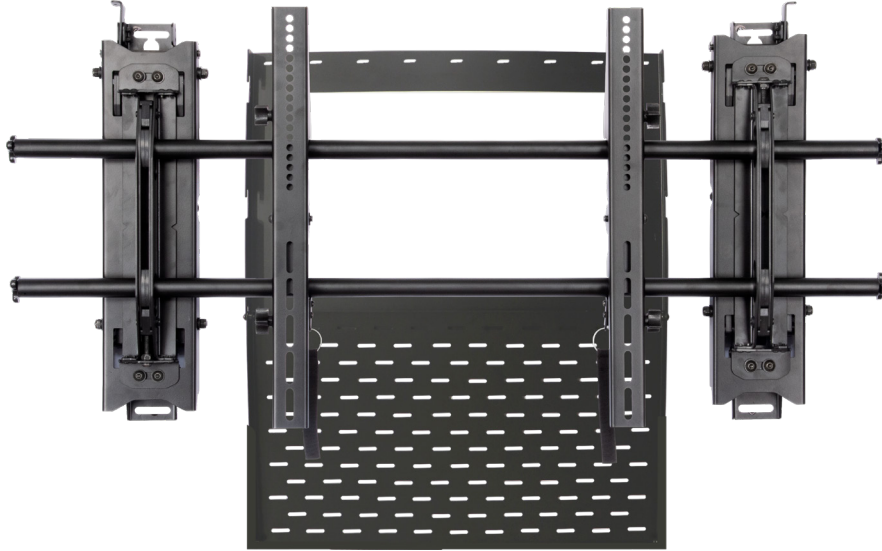


PUSH-PULL WALL MOUNT BRACKET : LGC-5565

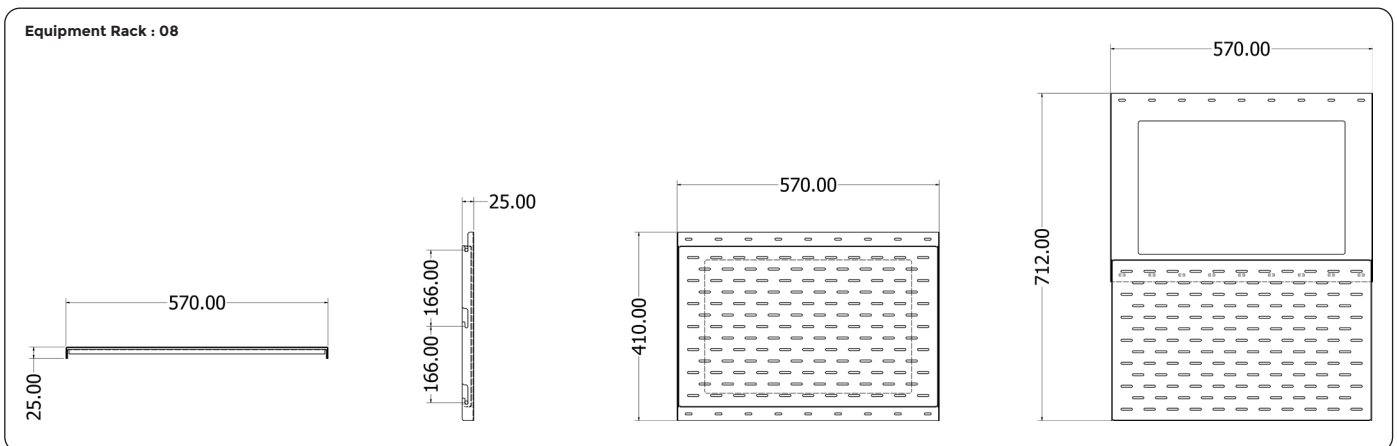
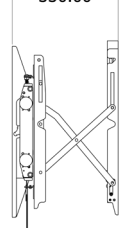
EQUIPMENT RACK : ER-08 (OPTIONAL ACCESSORIES)



WHEN CLOSED
107.00



WHEN OPENED
330.00



*Dimensions in mm

PUSH-PULL WALL MOUNT BRACKET : LGC-5565

EQUIPMENT RACK : ER-08 (OPTIONAL ACCESSORIES)

Features

- Pull to open / push to close system provides quick and easy service
- Universal in design to fit 55" to 65" displays
- Open access design for cable and electrical access
- The mount can hold up to 50 kg
- Colours available - Black
- Optional sliding plates are available for fixing codec, processor, and scalar, etc.
- VESA compliant

Specification

Model Number	LGC-5565	ER-08
Max. Load	110 lbs (50 kg)	22 lbs (10 kg)
Display Sizes	55" to 65"	55" to 65"
VESA	200 x 200 to 600 x 400	-
Material	Steel	-
Product Weight	12 kg	4.2 kg
Shipping Weight	14 kg	-
Shipping Dimension (L x W x H)	1180 x 370 x 170	-

*Dimensions in mm