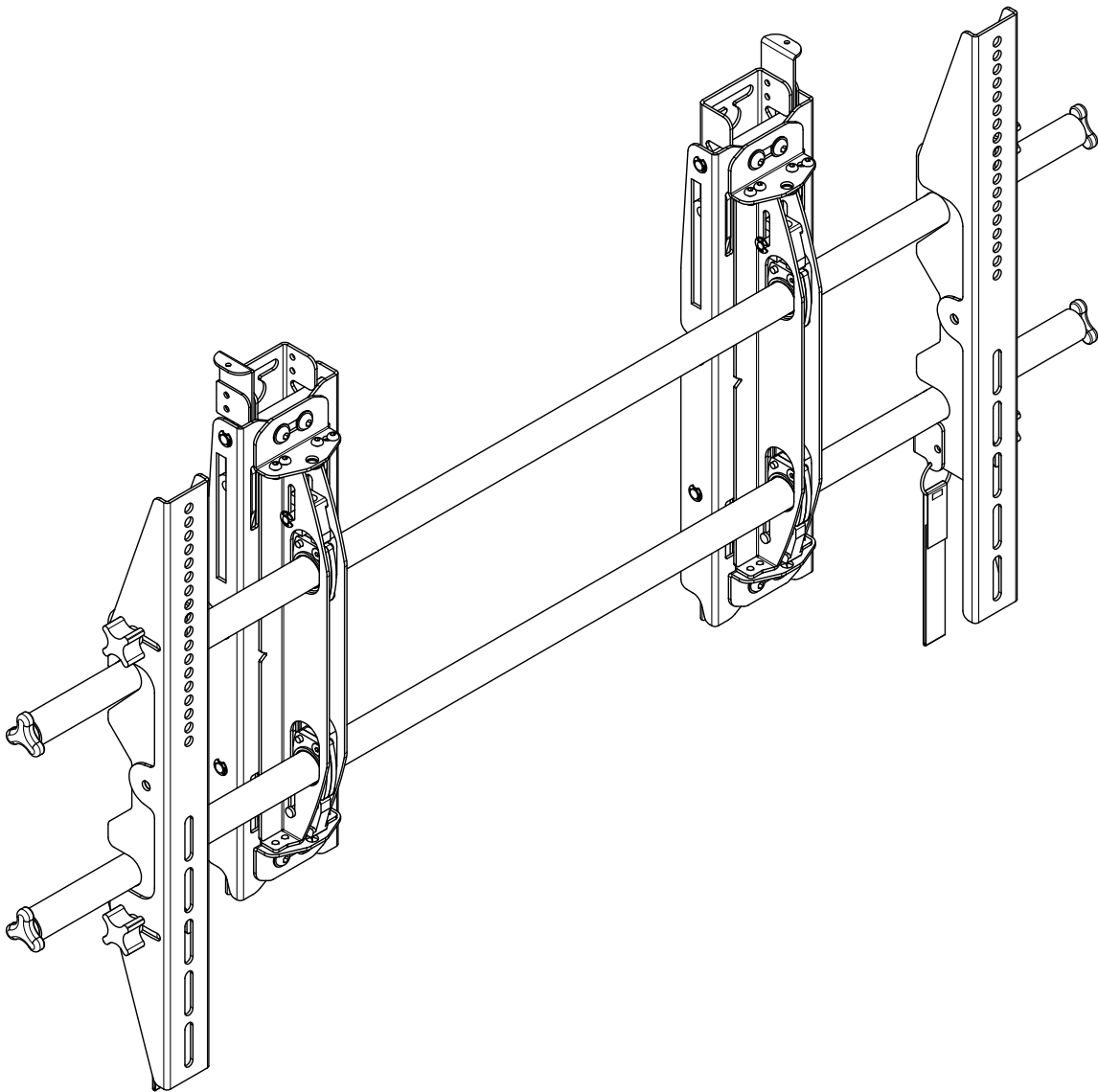


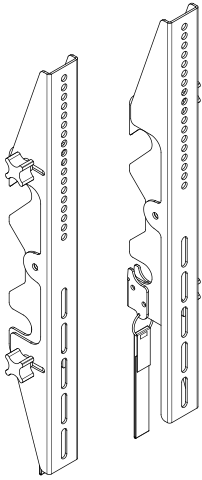
INSTALLATION MANUAL

PUSH PULL WALL MOUNT

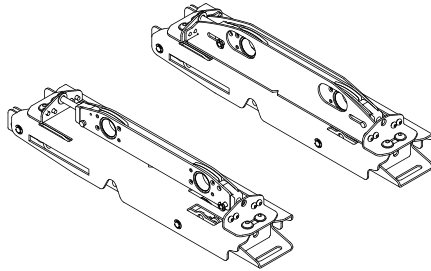


MODEL	SERIES	VESA	DISPLAY SIZE	MAX LOAD
LGC-5565	PUSH PULL WALL MOUNT	200x200 to 600x400	55" to 65"	110 lbs (50 kg)

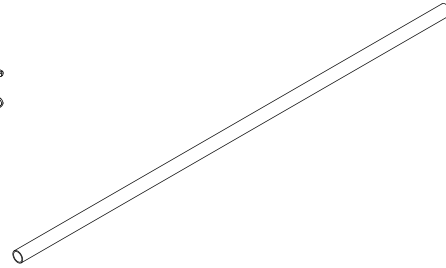
Checklist



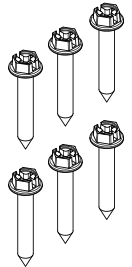
Right interface bracket x 1
Left interface bracket x 1



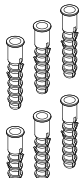
Right wall mount x 1
Left wall mount x 1



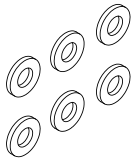
Connecting rod x 2



W-A: Concrete Screw x 6



W-B: Fischer expansion plug x 6



W-C: Washer x 6



M-A: M8 X 25 x 4



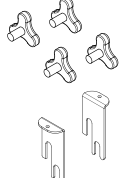
M-B: plastic x 4
Metal x 4 washer



M-C: M6 X 25 x 4



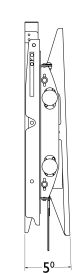
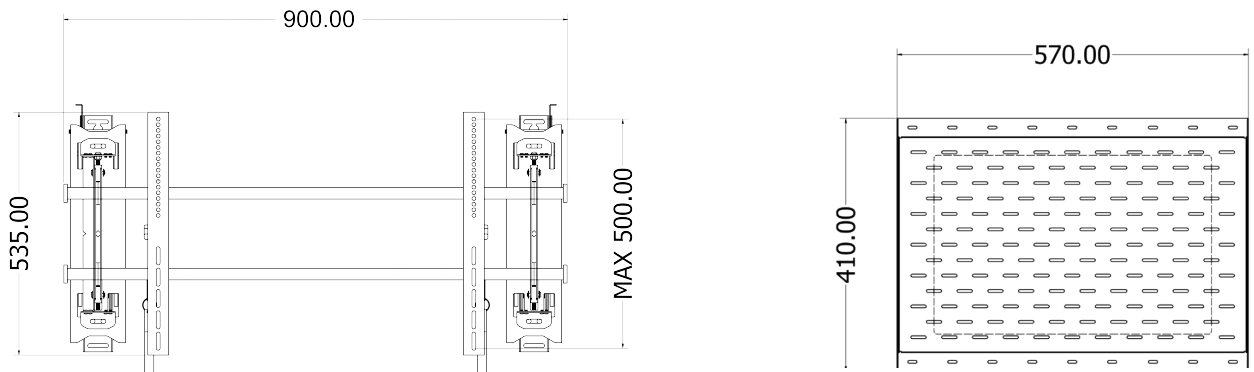
M-D: Plastic x 4
metal x 4 washer



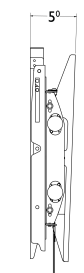
M-E: Knob x 4
Lock x 2

IMPORTANT : Prior to installation, ensure that you have received all the parts as per the checklist

1. Product Dimension



UPWARD UP TO 5°

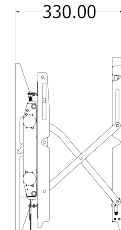


DOWNWARD UP TO 5°

WHEN CLOSED
107.00



WHEN OPENED
330.00



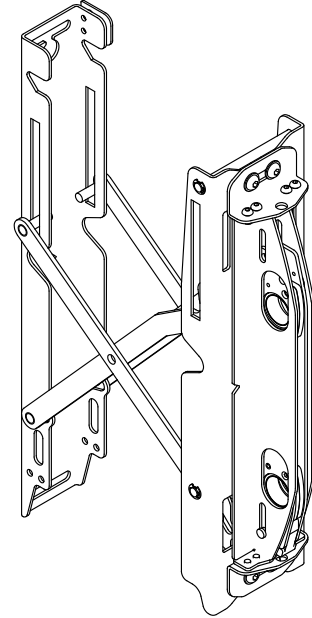
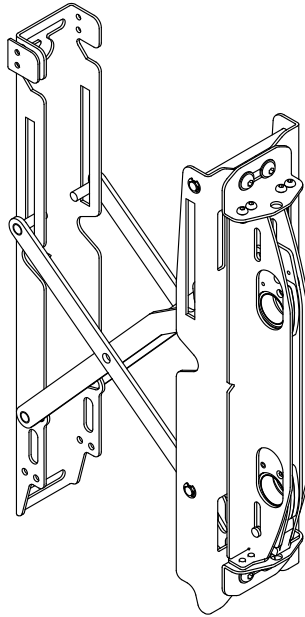
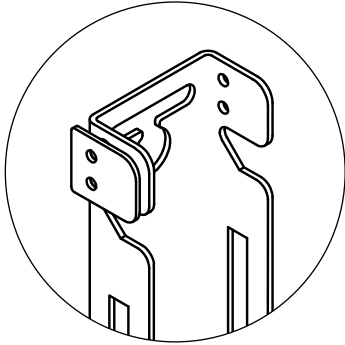
Dimension in mm

2. Installation

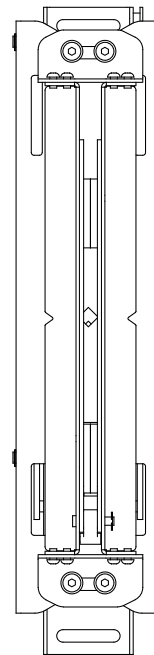
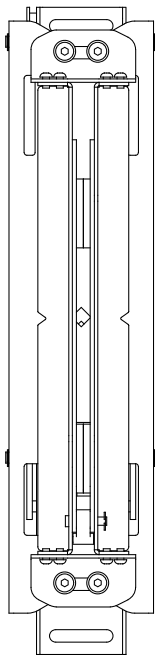
Choose below method for fixing wall mount.

ATTENTION: Drilling the wall for the wall mount should be executed by a craftsman only
Exercise care to prevent any scar or damage to the wall.

CAUTION : Wear safety glasses while operating power equipment.
Failure to comply may result in eye injury

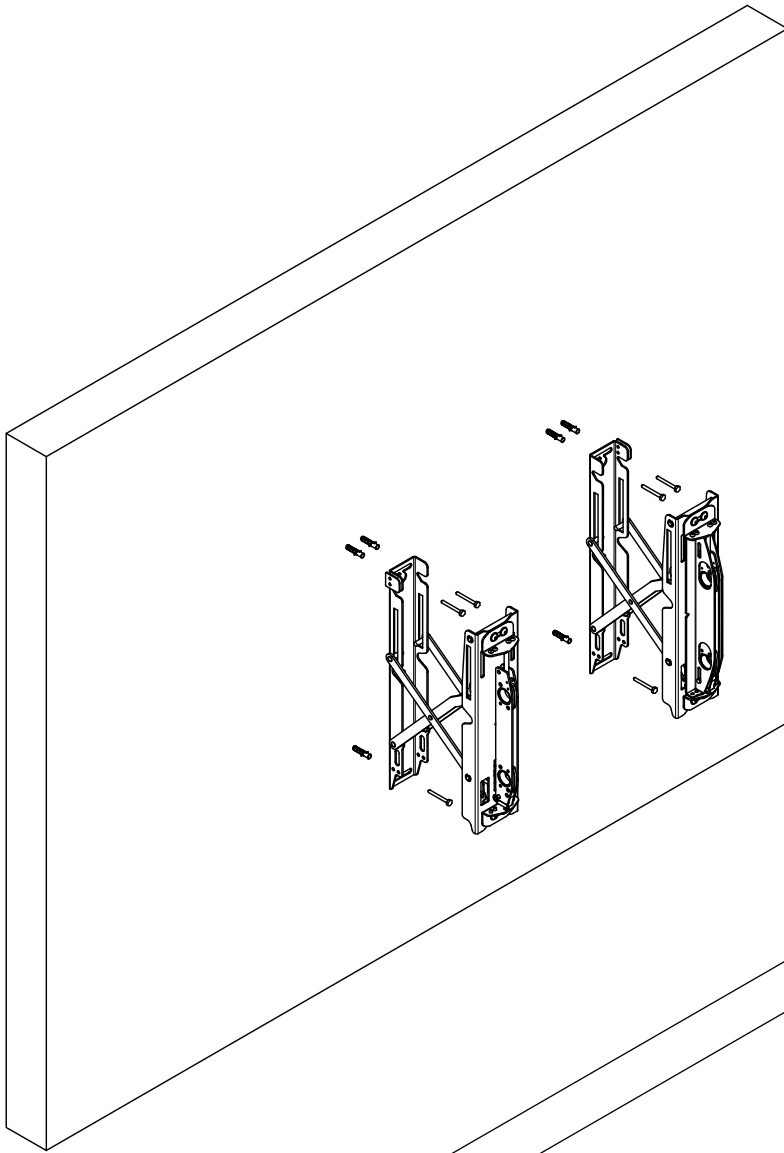


1. Place the right and left mount on the wall, the lock system should be indicate right and left mount

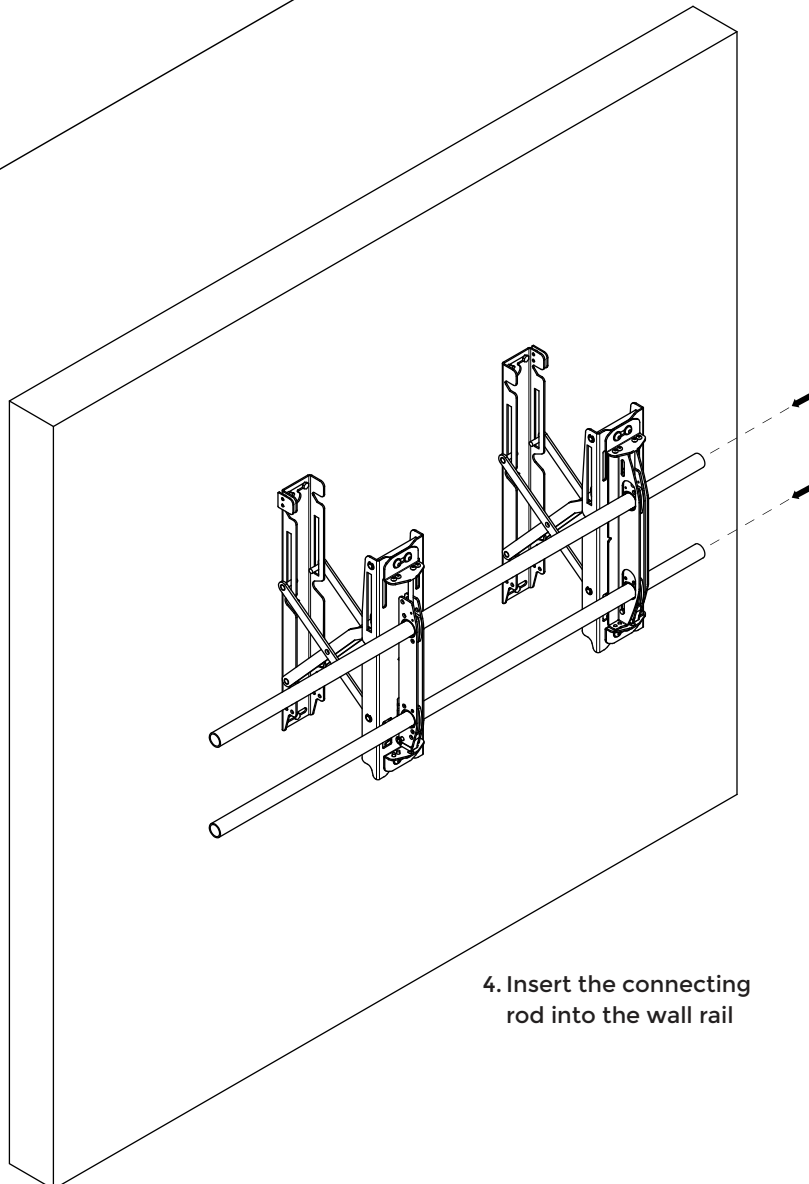


2. Place the unit on the wall and make marks on the wall.

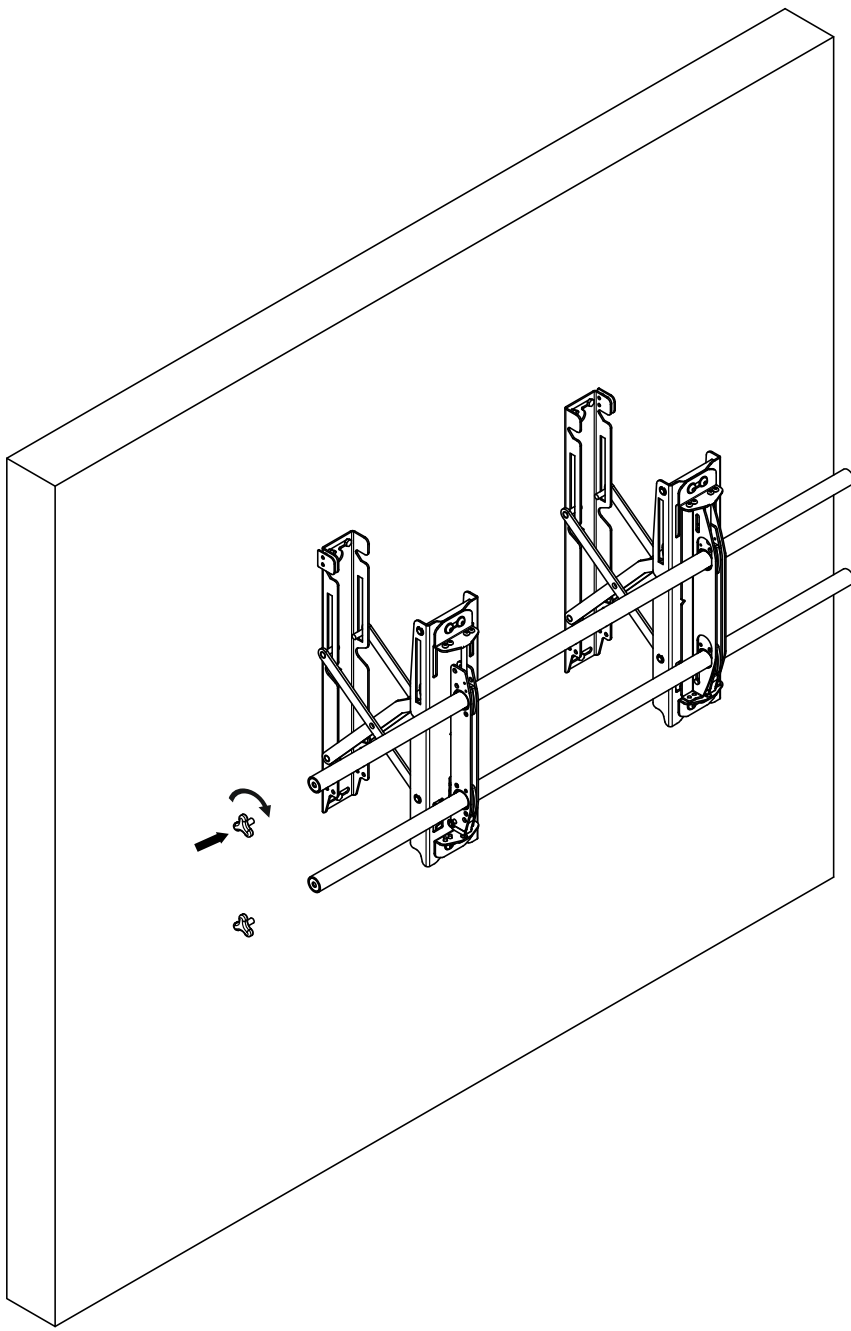
Note: While marking make sure the mount is placed in a straight line using the surface leveler
If your using sliding plate LGC-5565SP keep 700mm gap in between the right and left mount
(Refer sliding plate drawing)



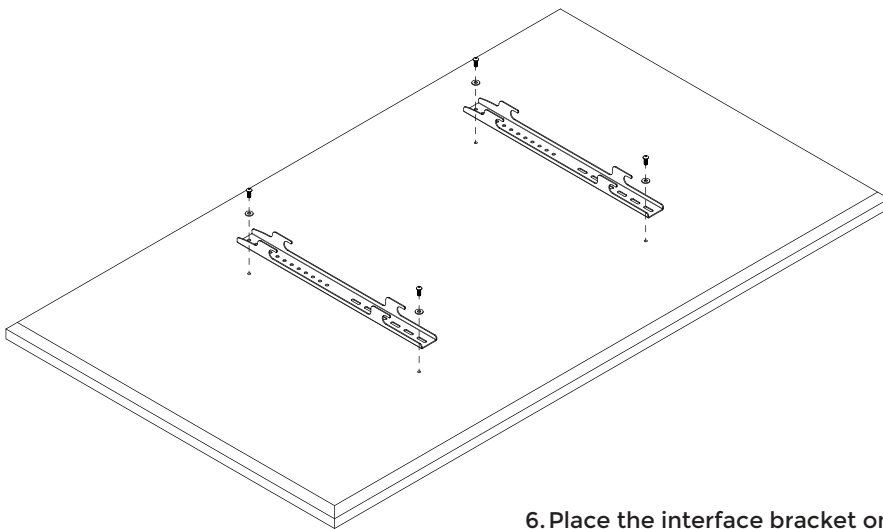
3. Drill the wall and insert the Fischer expansion plugs into the holes place the mount on the wall and insert concrete screw. (Refer W-A, W-B, W-C in the checklist)



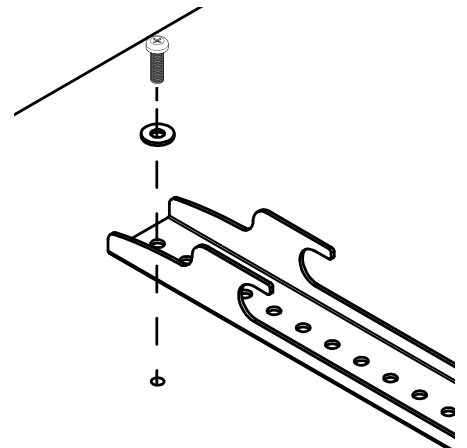
4. Insert the connecting rod into the wall rail



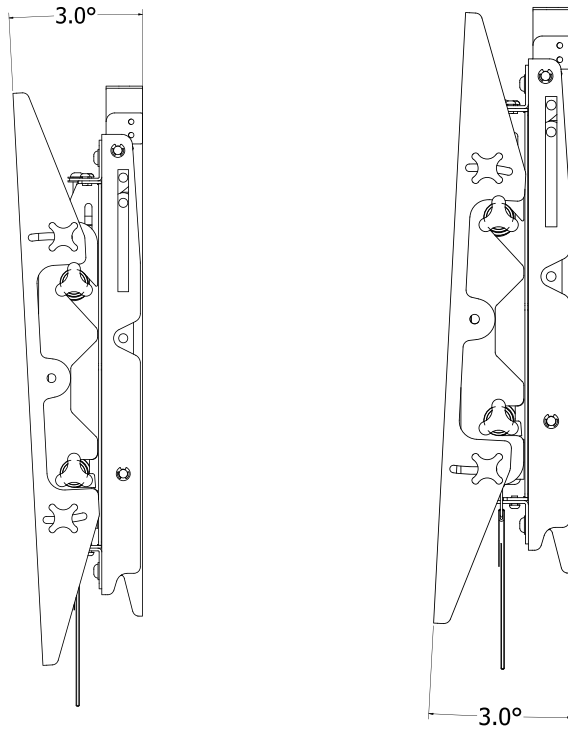
5. Screw the knob to the connecting rod
(Refer knob M-E in the checklist)



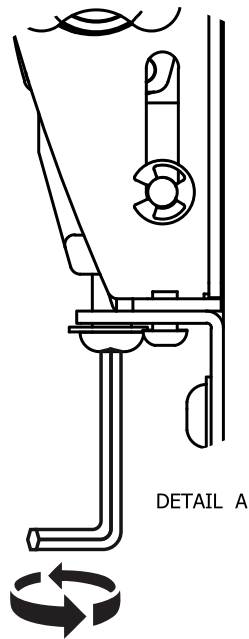
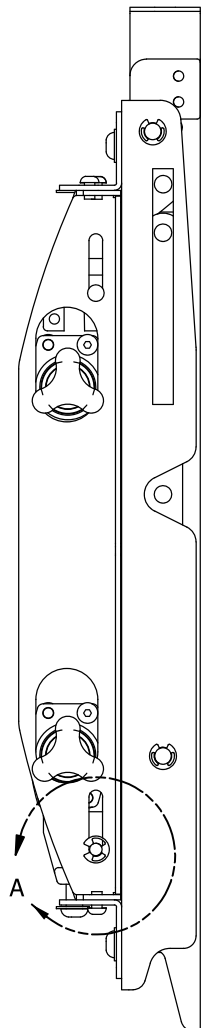
6. Place the interface bracket on the
TV/ display and insert the washer and screw
(Refer the checklist for the suitable screw and washer)



Angle adjustment details

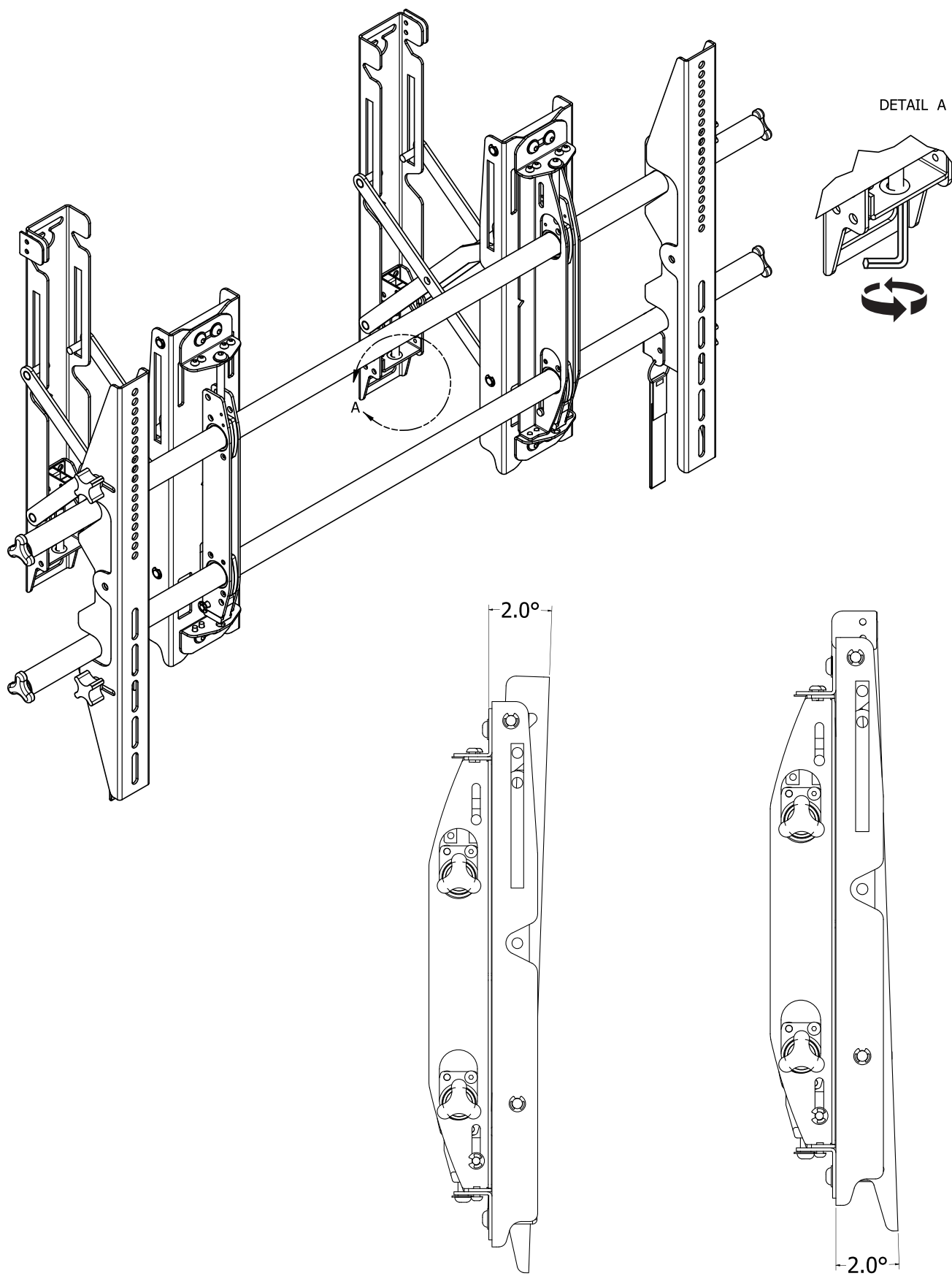


7. Rotate the interface bracket both the knob anti clock wise and adjust for the required angle than rotate clock wise for tighten the knob

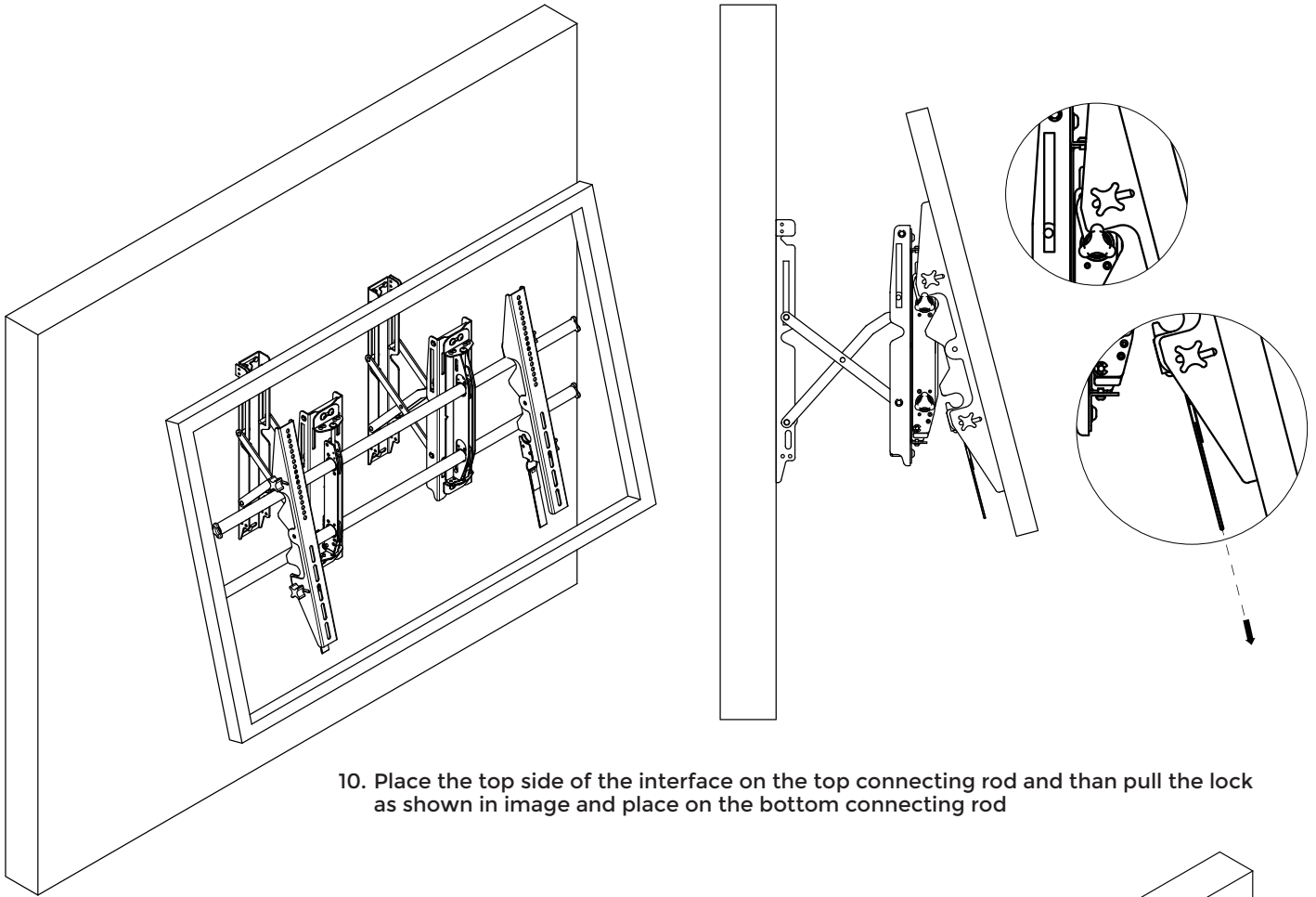


8. Rotate the screw using alien key for height adjustment of 25mm

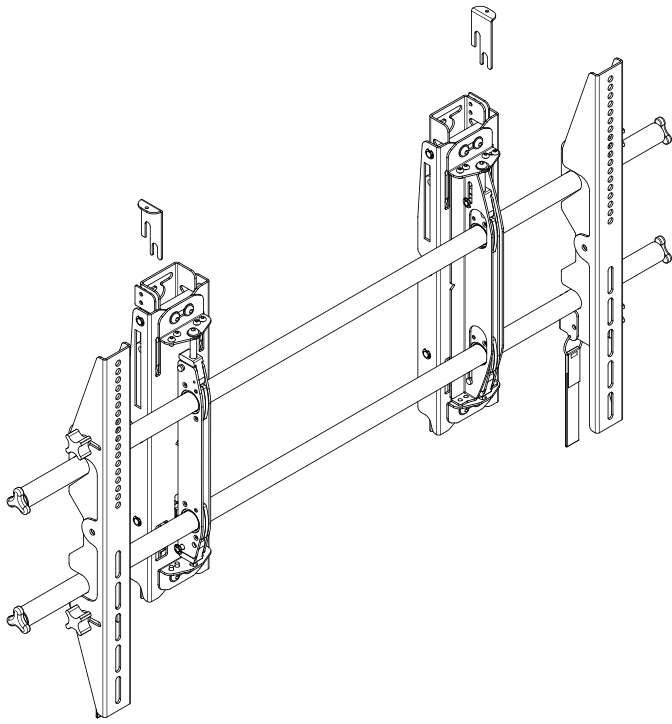
Height adjustment details



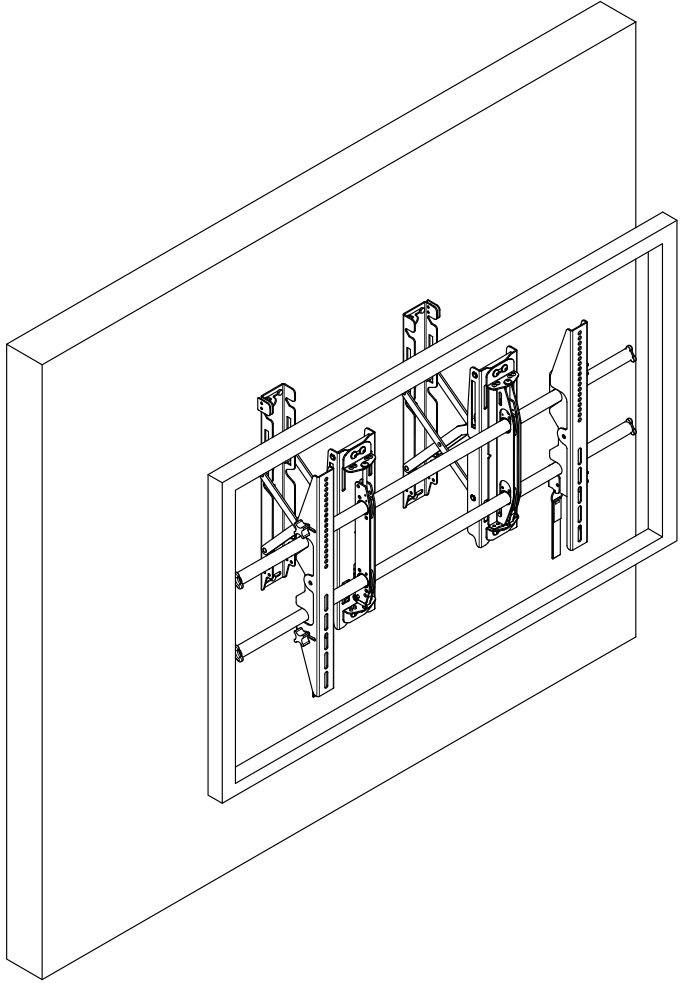
9. Rotate the screw using alien key for angle adjustment.



10. Place the top side of the interface on the top connecting rod and then pull the lock as shown in image and place on the bottom connecting rod



11. After finishing the installation place the lock on the mount as shown in image.



Final view after installing the mounted display on the wall