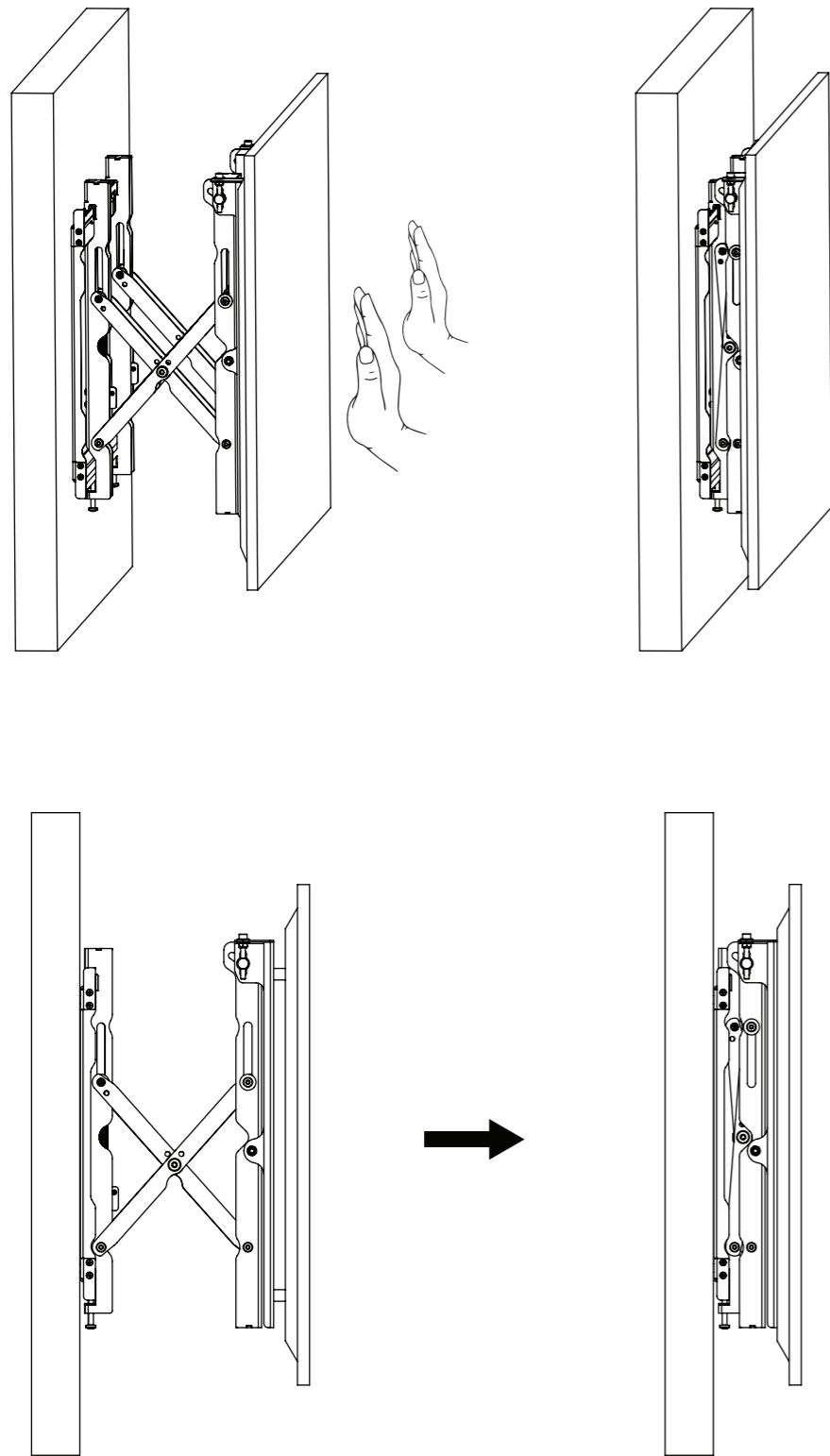


7. POP-IN AND POP-OUT

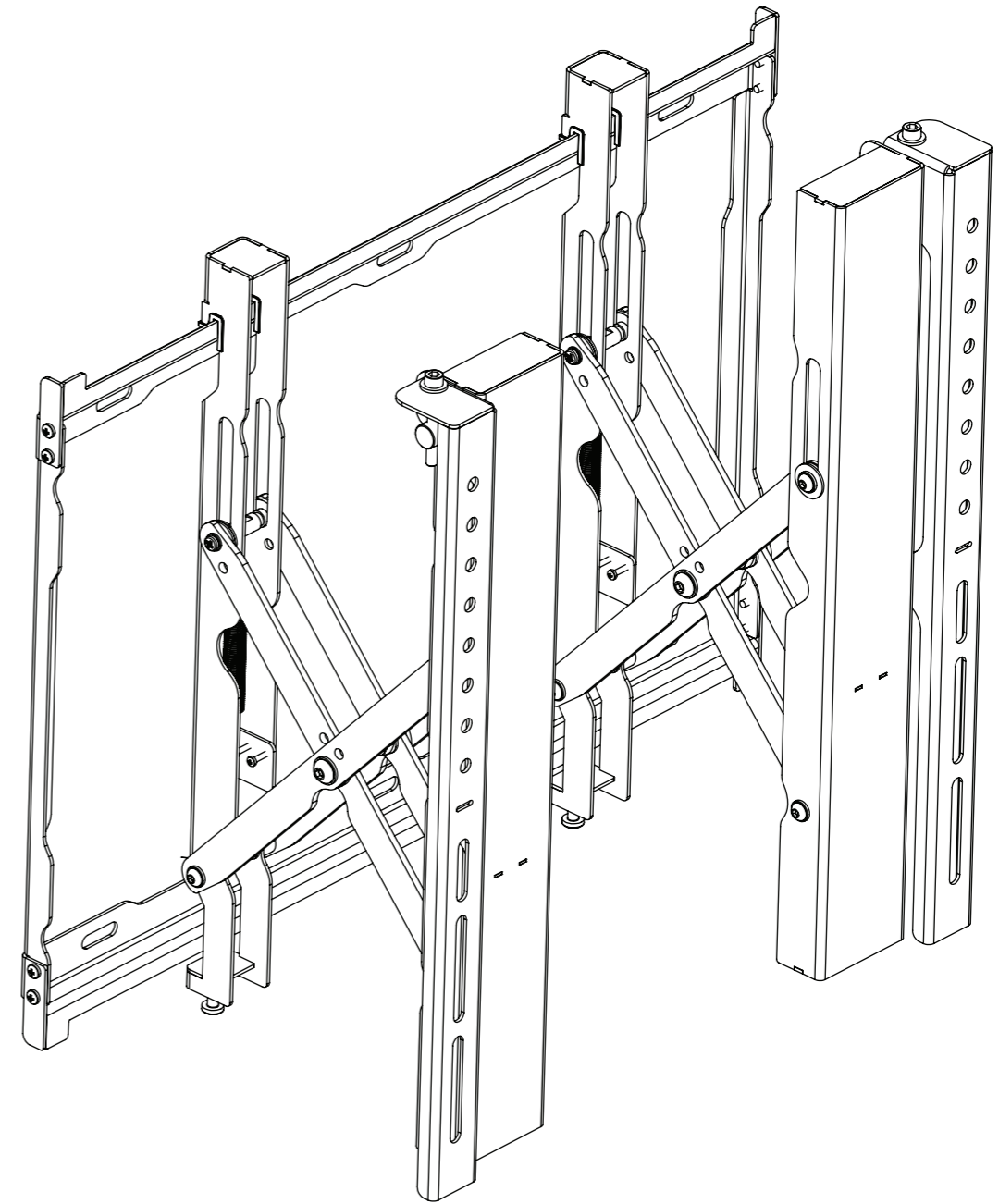


Push pull of the display will be done by pushing the display gently toward the wall as shown in figure.

LOGIC

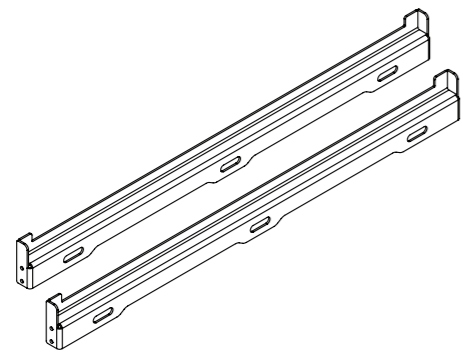
INSTALLATION MANUAL

PUSH - PULL WALL BRACKET

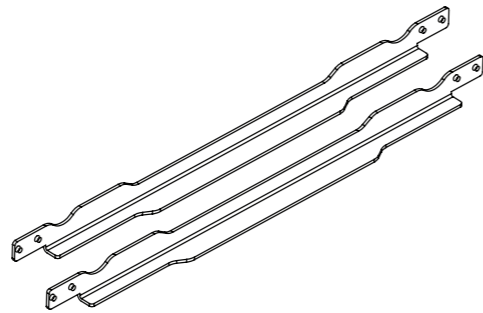


Model	Series	Vesa	Display Sizes	Max Weight
LGC-5586	Push - Pull Wall Bracket	100x100 to 600x400	55" to 86"	50kgs (110 lbs)

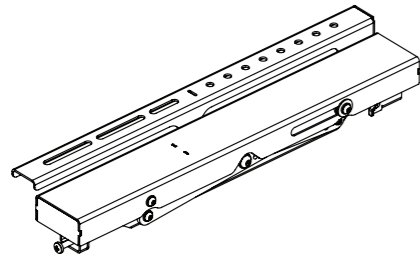
COMPONENT CHECK LIST



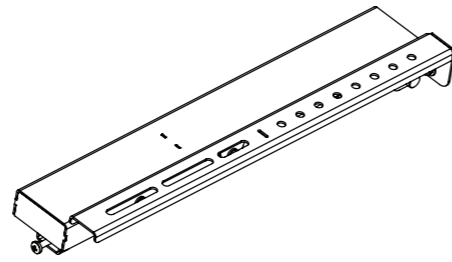
WALL BRACKET



CONNECTING BRACKET



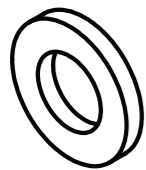
LEFT POP-OUT ADAPTER BRACKET



RIGHT POP-OUT ADAPTER BRACKET

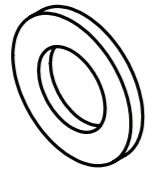
M SERIES

M-A
QTY : 4



M6 WASHER

M-B
QTY : 4



M8 WASHER

M-C
QTY : 4



M6 X 25

M-D
QTY : 4



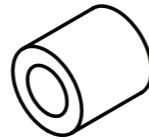
M8 X 25

M-E
QTY : 4



SMALL BUSH

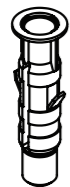
M-F
QTY : 4



BIG BUSH

W SERIES

W-A
QTY : 6



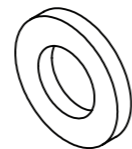
EXPANSION
PLUG

W-B
QTY : 6



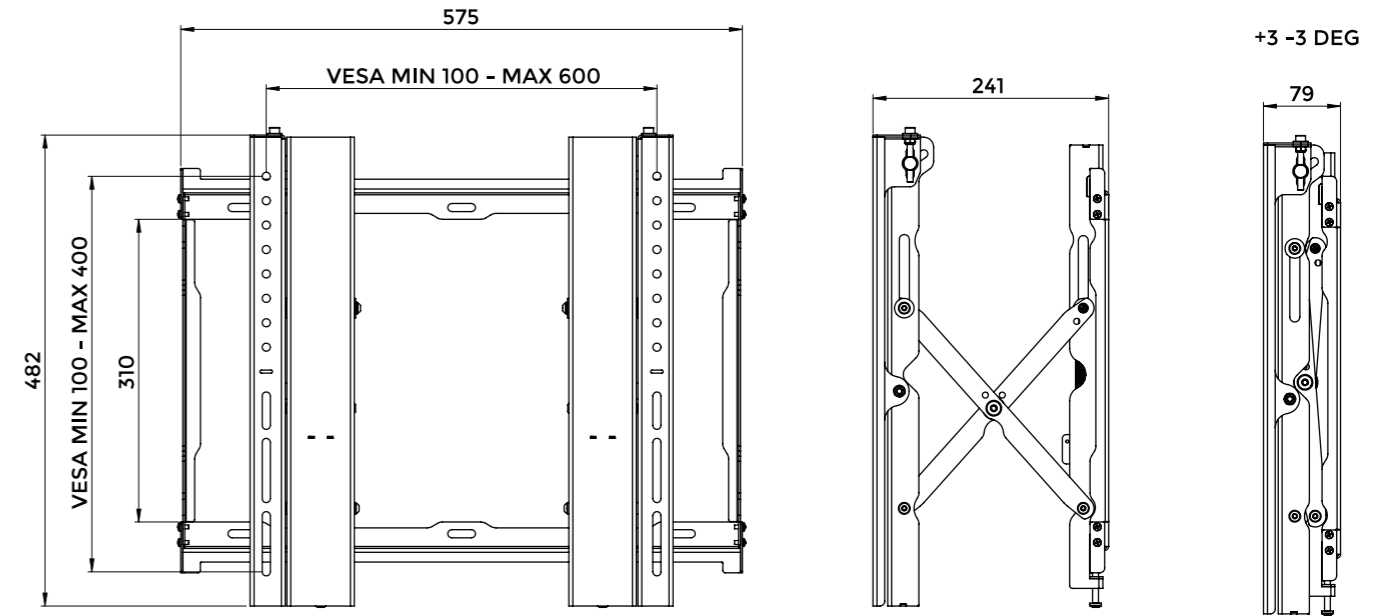
CONCRETE
SCREW

W-C
QTY : 6



WASHER

PRODUCT DIMENSIONS



FOR MAX VESA AND MIN VESA

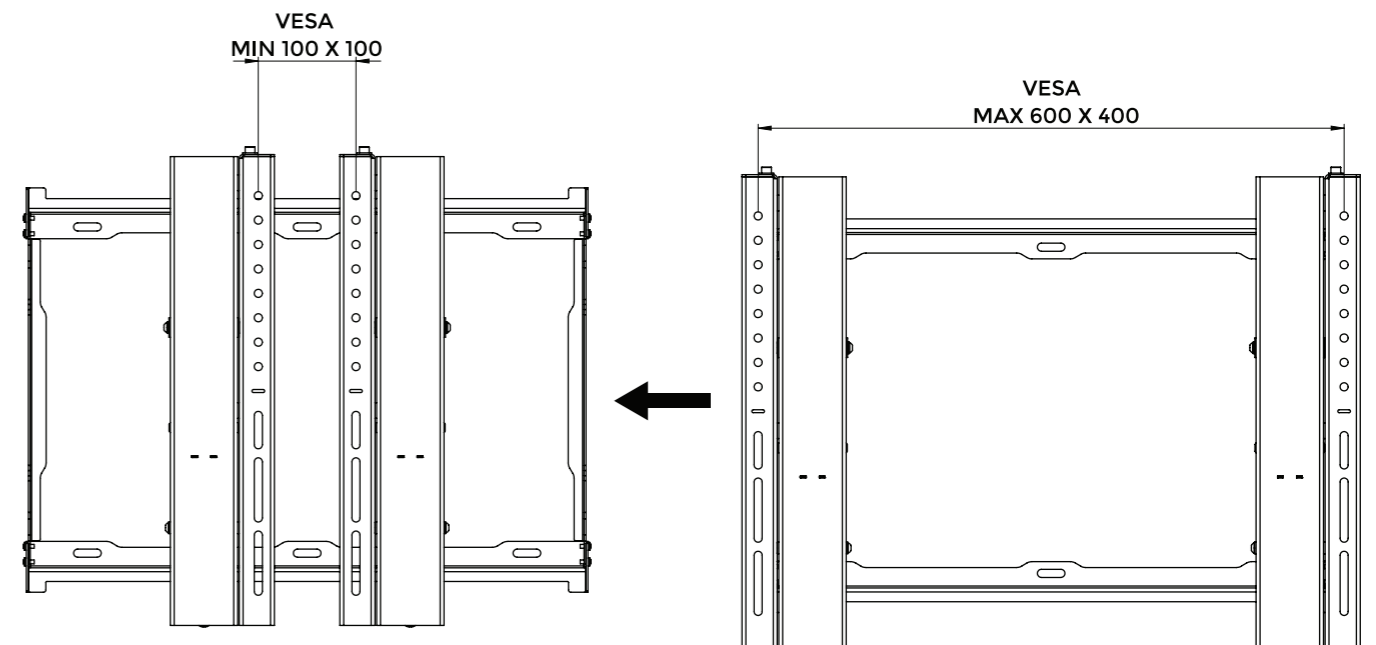
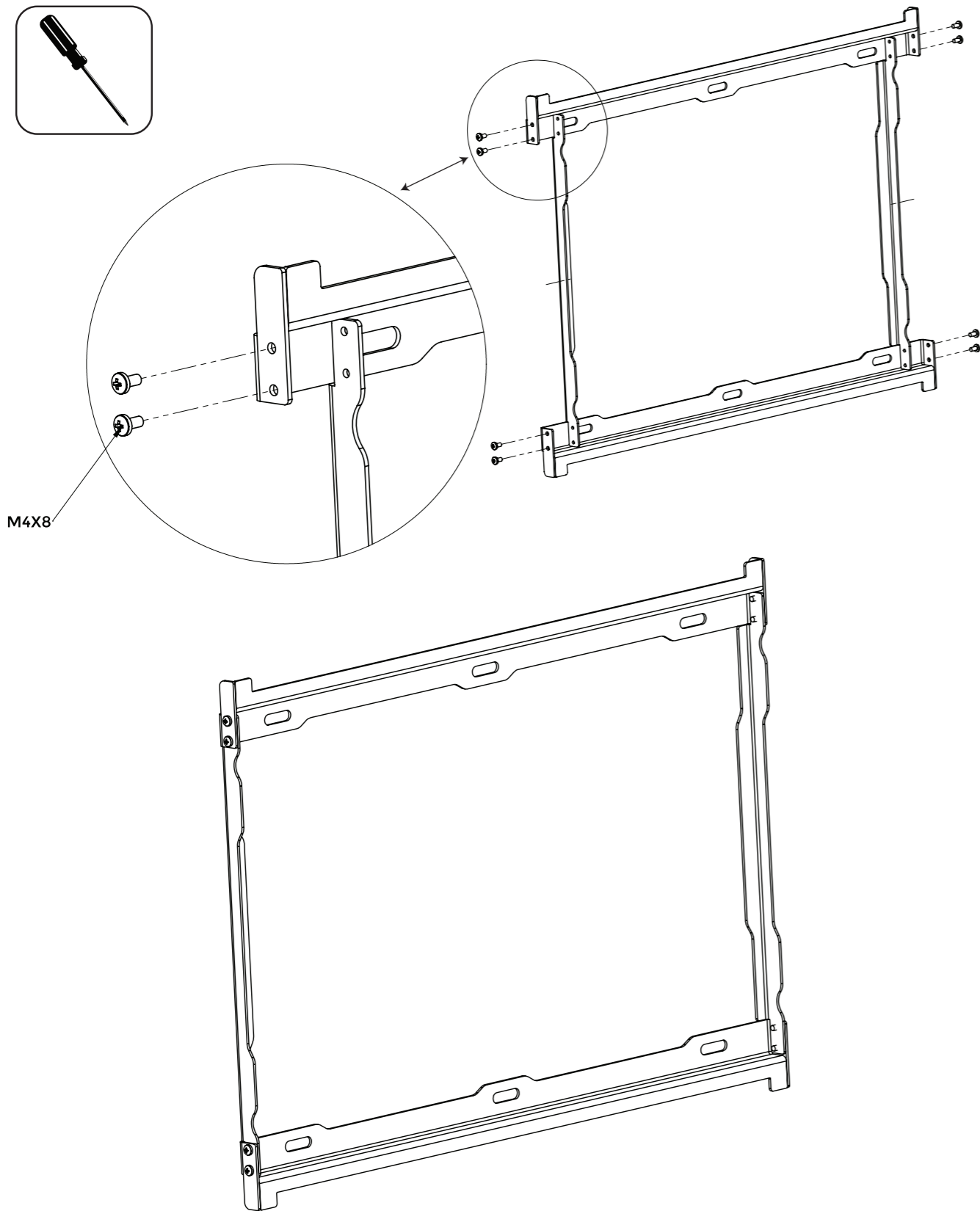


Figure 01

Figure 02

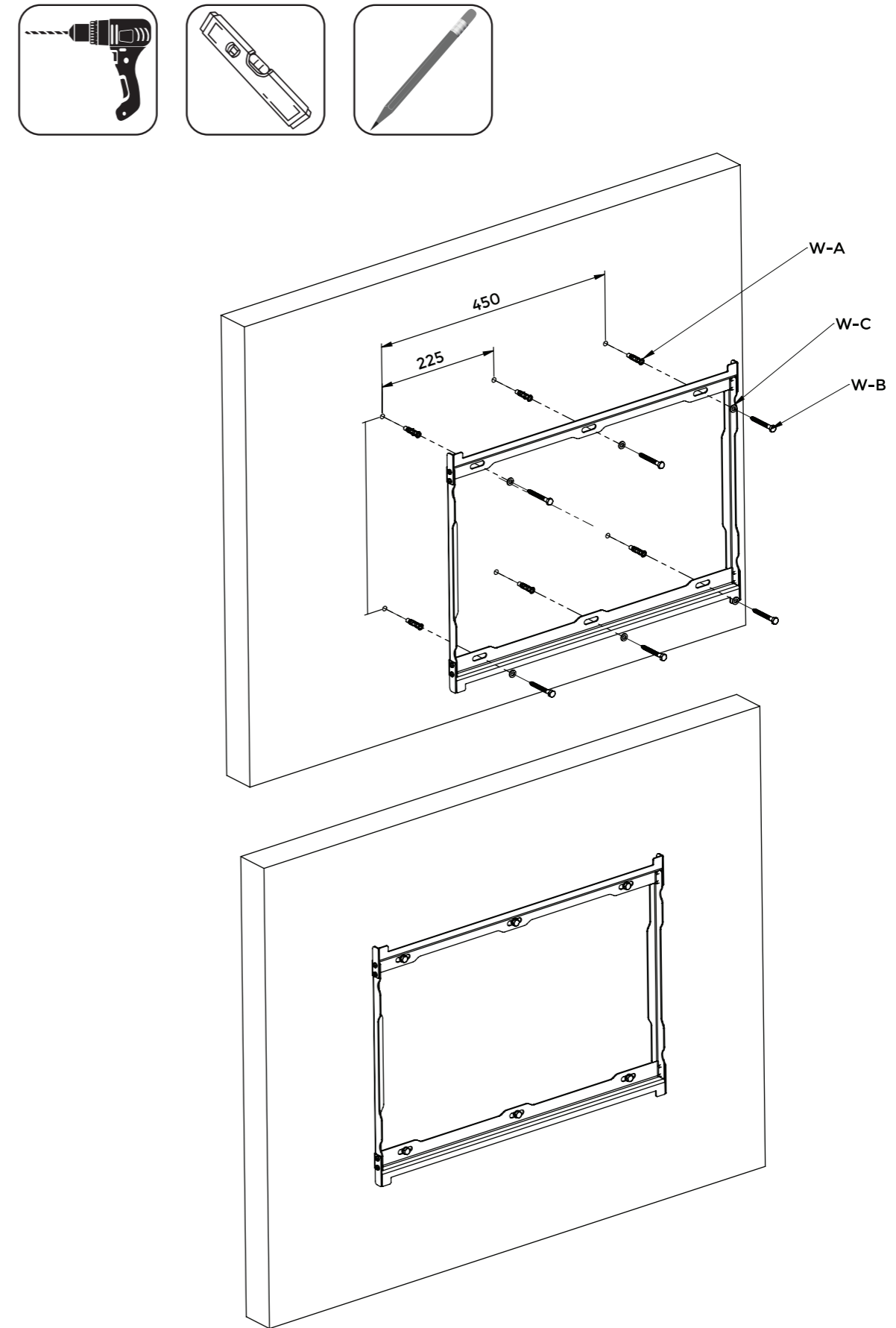
1. For maximum VESA (100X100) as shown in figure 01
2. For rest all vesa size of the display will be as shown in figure 02

1. ASSEMBLING THE WALL PLATE



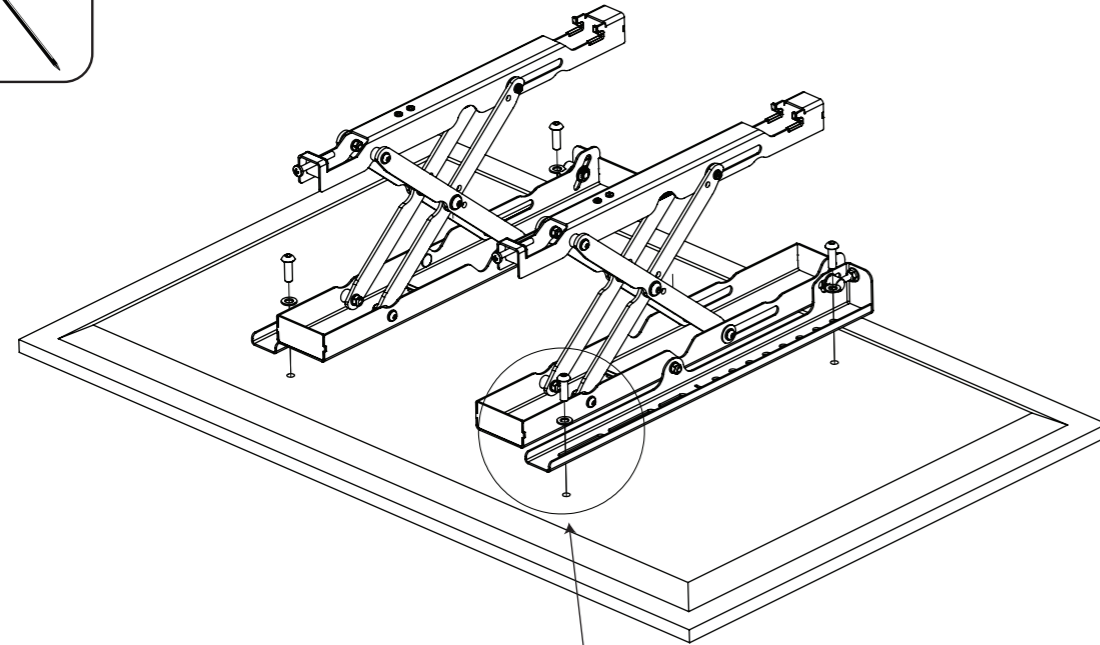
Fix the wall bracket using the connecting bracket.
Ensure both bracket connected rigidly.
Hardware used M4*8

2. FOR SOLID BRICK AND CONCRETE WALL MOUNTING



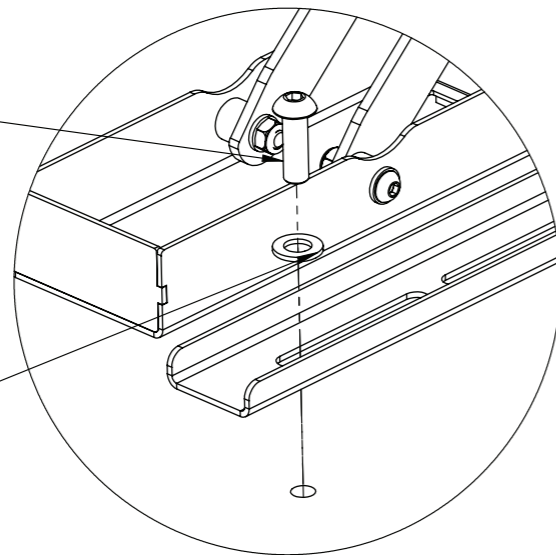
Fix the brackets on to the wall using mentioned equipment.
Hardware used- W-A, W-B AND W-C.

3. FOR FLAT BACK SCREEN



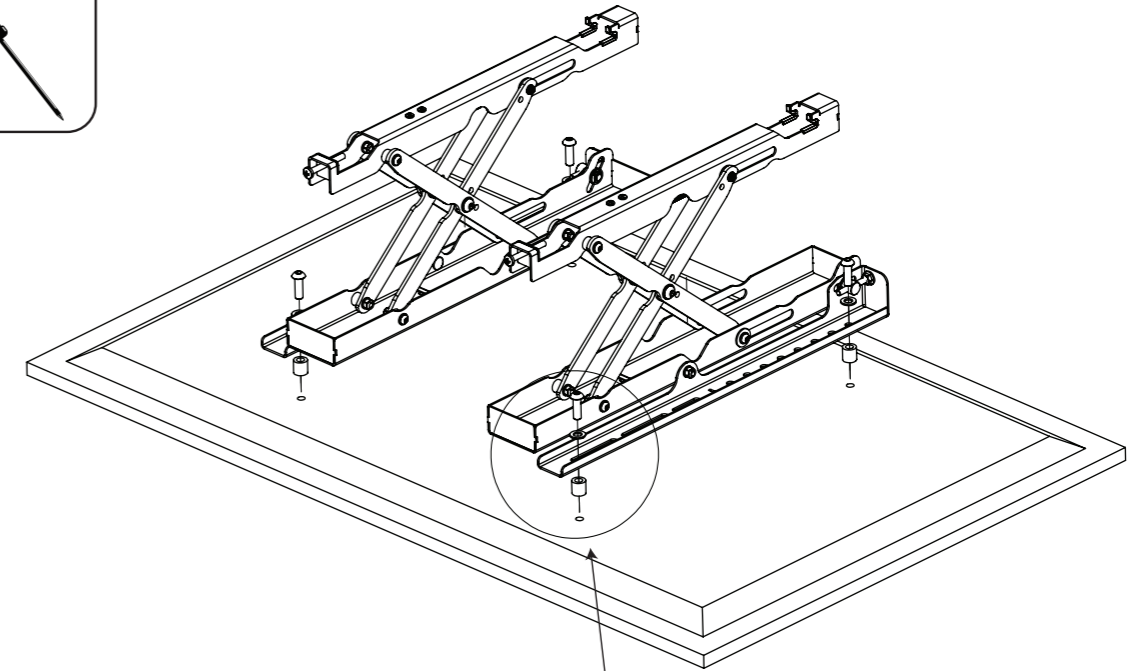
M-C OR M-D

M-A OR M-B



Place the both pop-out adapter bracket on back of screen and fix it.
MC OR M-D (SCREW) AND M-A OR M-B (WASHER).

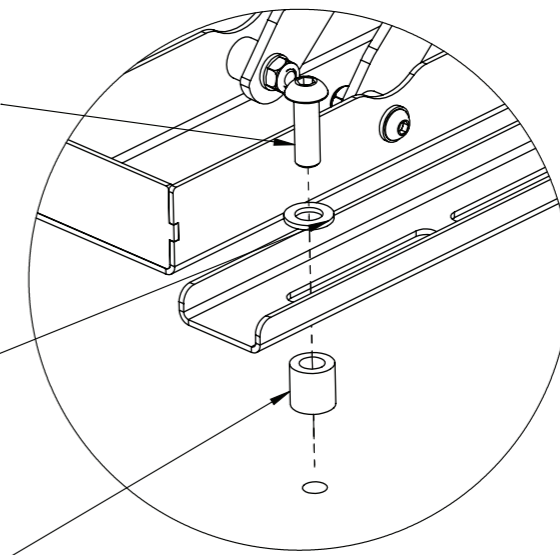
4. FOR BUMP OUT BACK SCREEN



M-C OR M-D

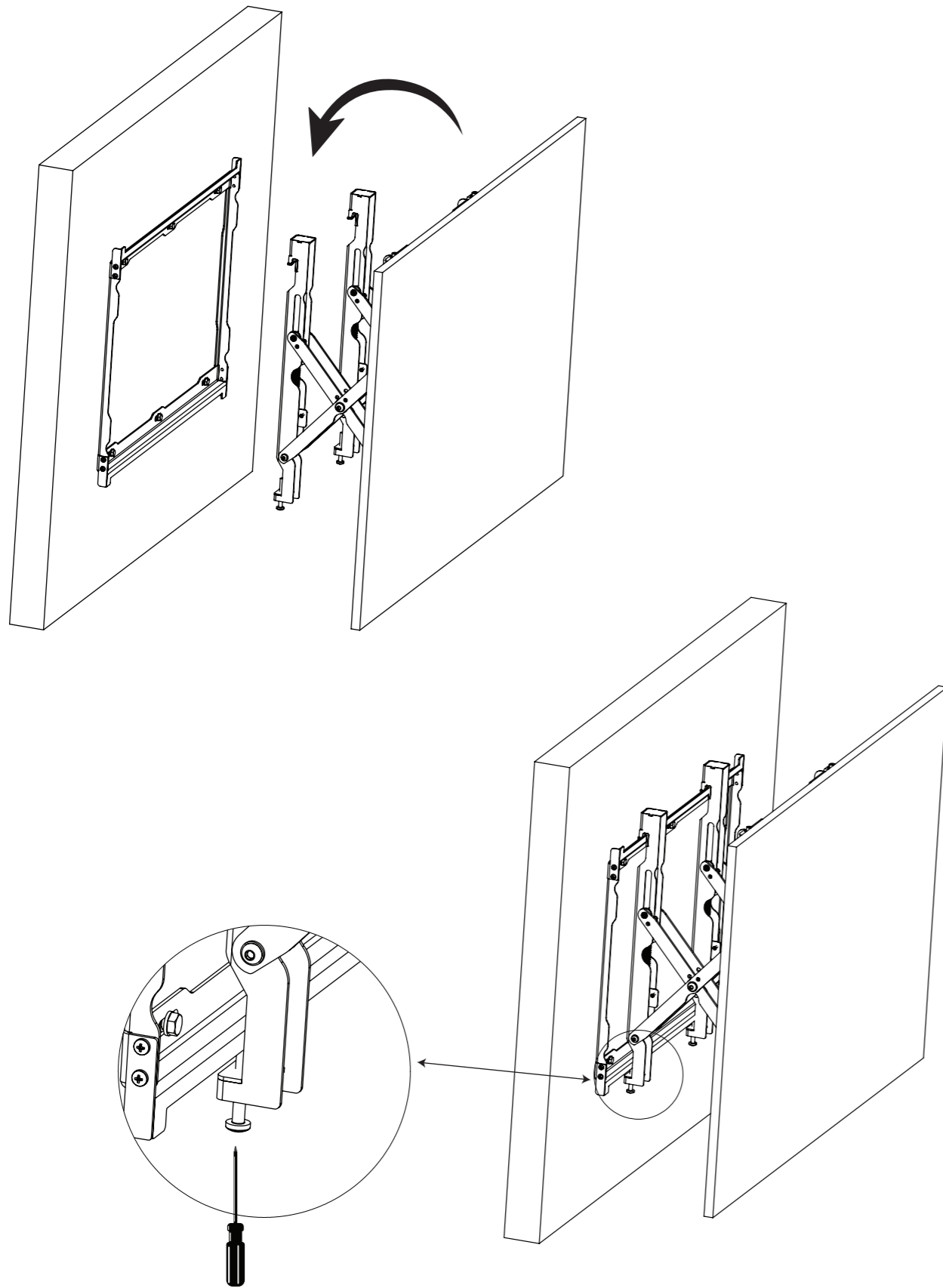
M-A OR M-B

M-E OR M-F



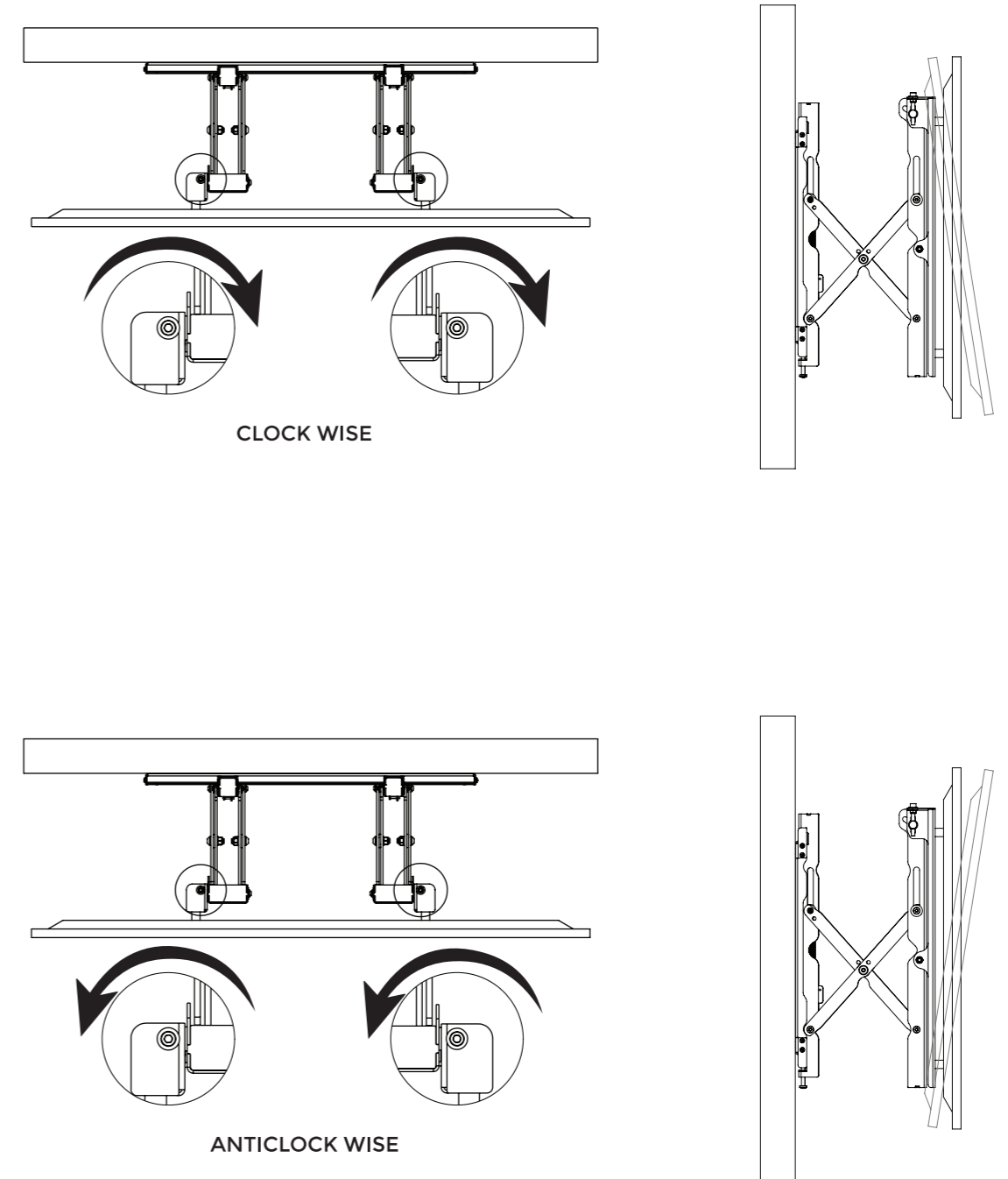
Place the both pop-out adapter bracket on back of screen and fix it.
Plastic Bush helps in fixing the brackets for bump out screen.
Hardware used- MC OR M-D (SCREW),
M-A OR M-B (WASHER) AND M-E OR M-F (PLASTIC PUSH).

5. HOOKING THE DISPLAY ON TO THE WALL BRACKET



Fix the push pull bracket with display to the wall mount and lock it using the bottom screw.

6. TILT ADJUSTMENTS



- 1) For tilt adjustment use the Allen key (M5) rotate it for clockwise display start to tilt in upward direction (i.e. max 5degree)
- 2) Rotating the Allen screw in anti-clockwise direction which affects in tilting of display in downward direction (i.e. max 5 degree)