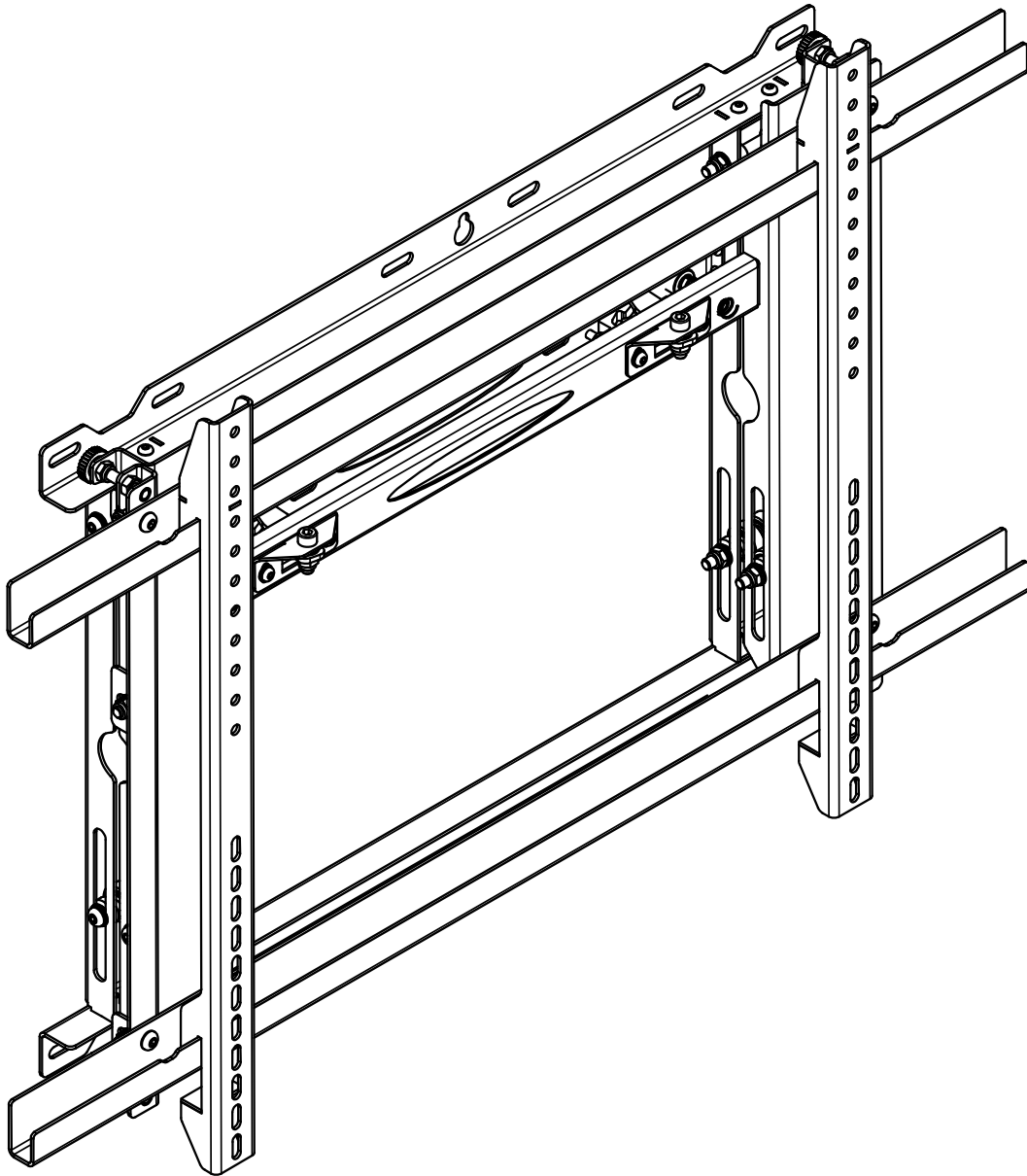


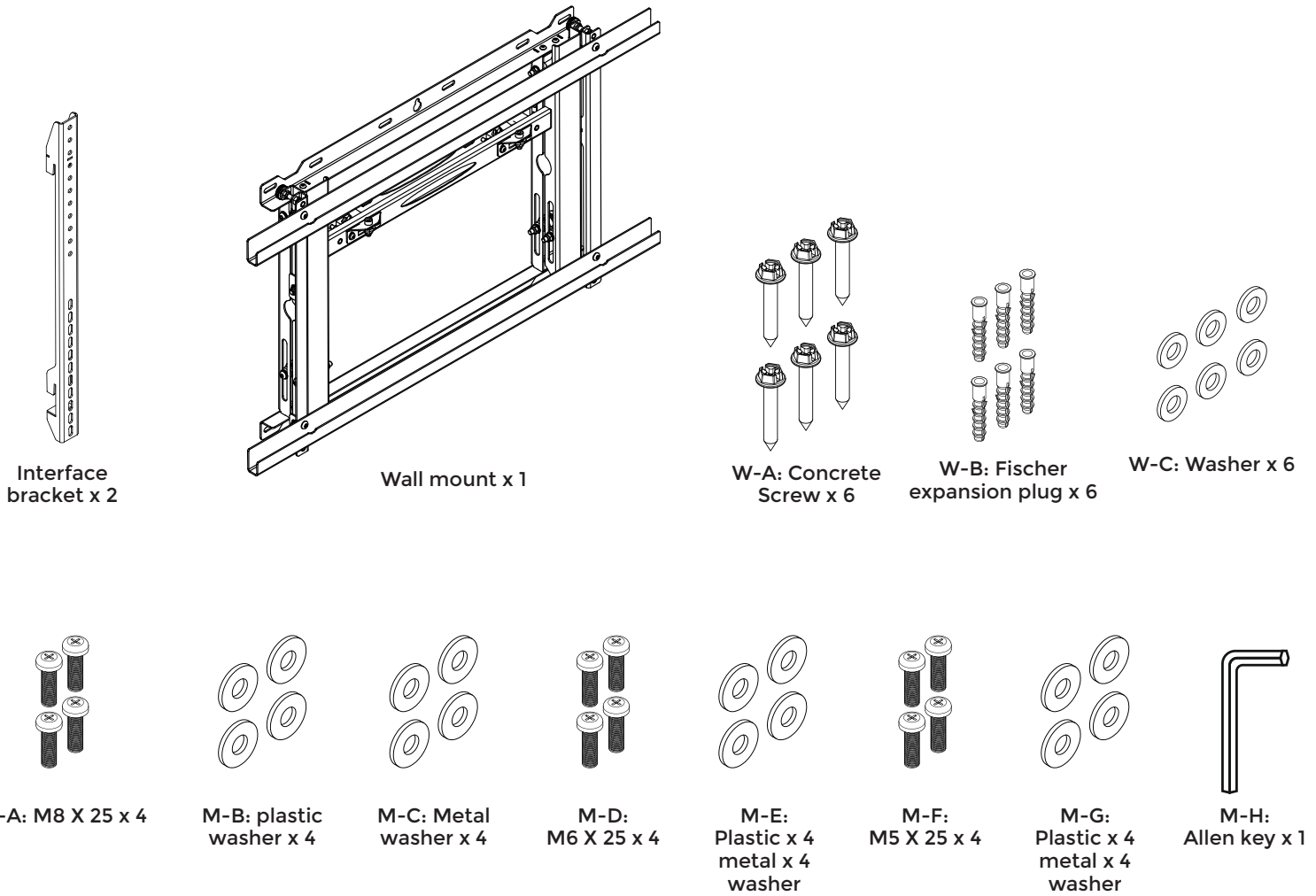
## INSTALLATION MANUAL

### PUSH PULL WALL MOUNT



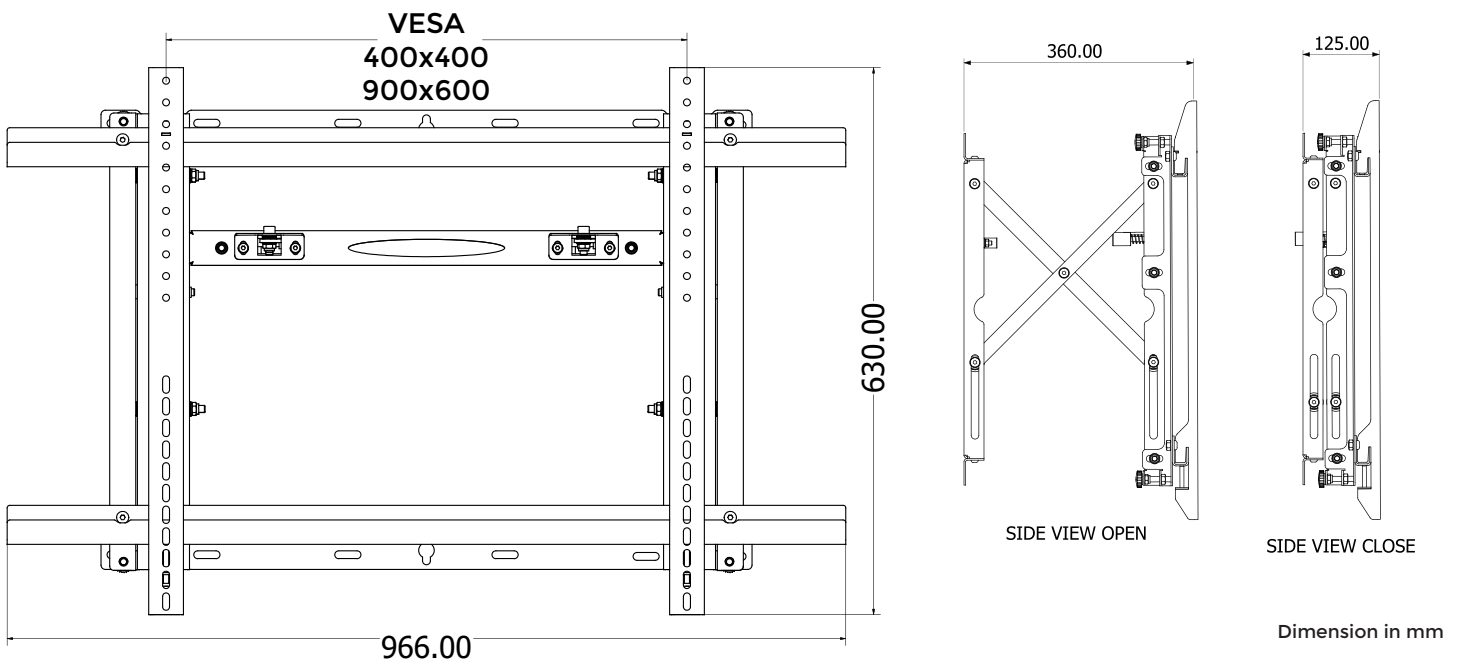
MODEL	SERIES	VESA	DISPLAY SIZE	MAX LOAD
LGC-7598	PUSH PULL WALL MOUNT	400x400 to 900x600	75" to 98"	265 lbs (120 kg)

# Checklist



**IMPORTANT :** Prior to installation, ensure that you have received all the parts as per the checklist

## 1. Product Dimension

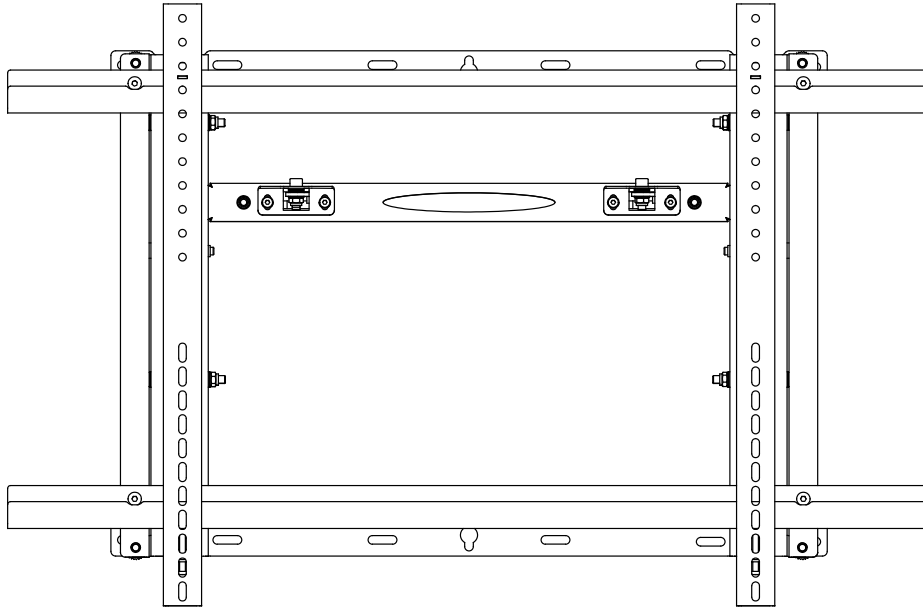


## 2. Installation

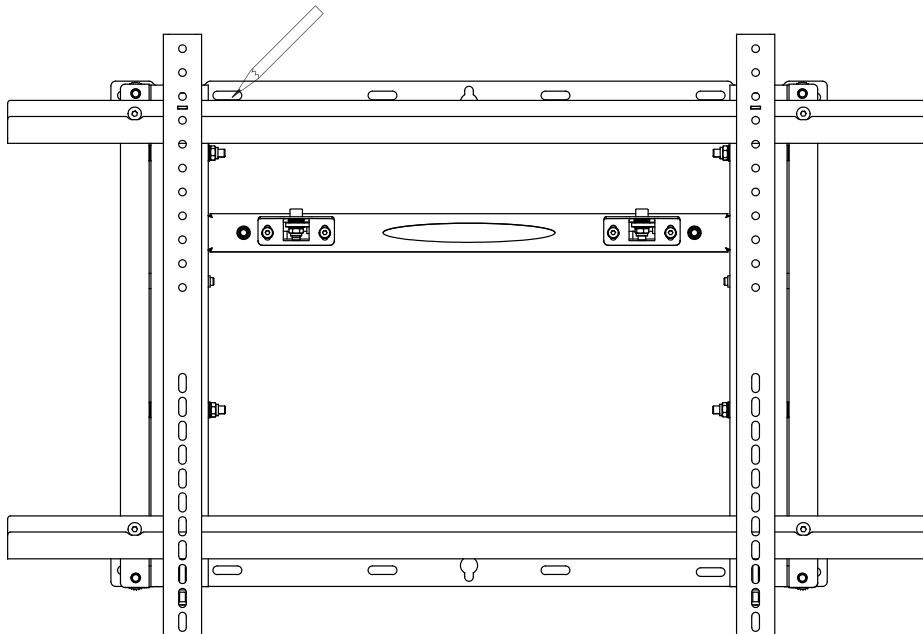
Choose below method for fixing wall mount.

**ATTENTION:** Drilling the wall for the wall mount should be executed by a craftsman only  
Exercise care to prevent any scar or damage to the wall.

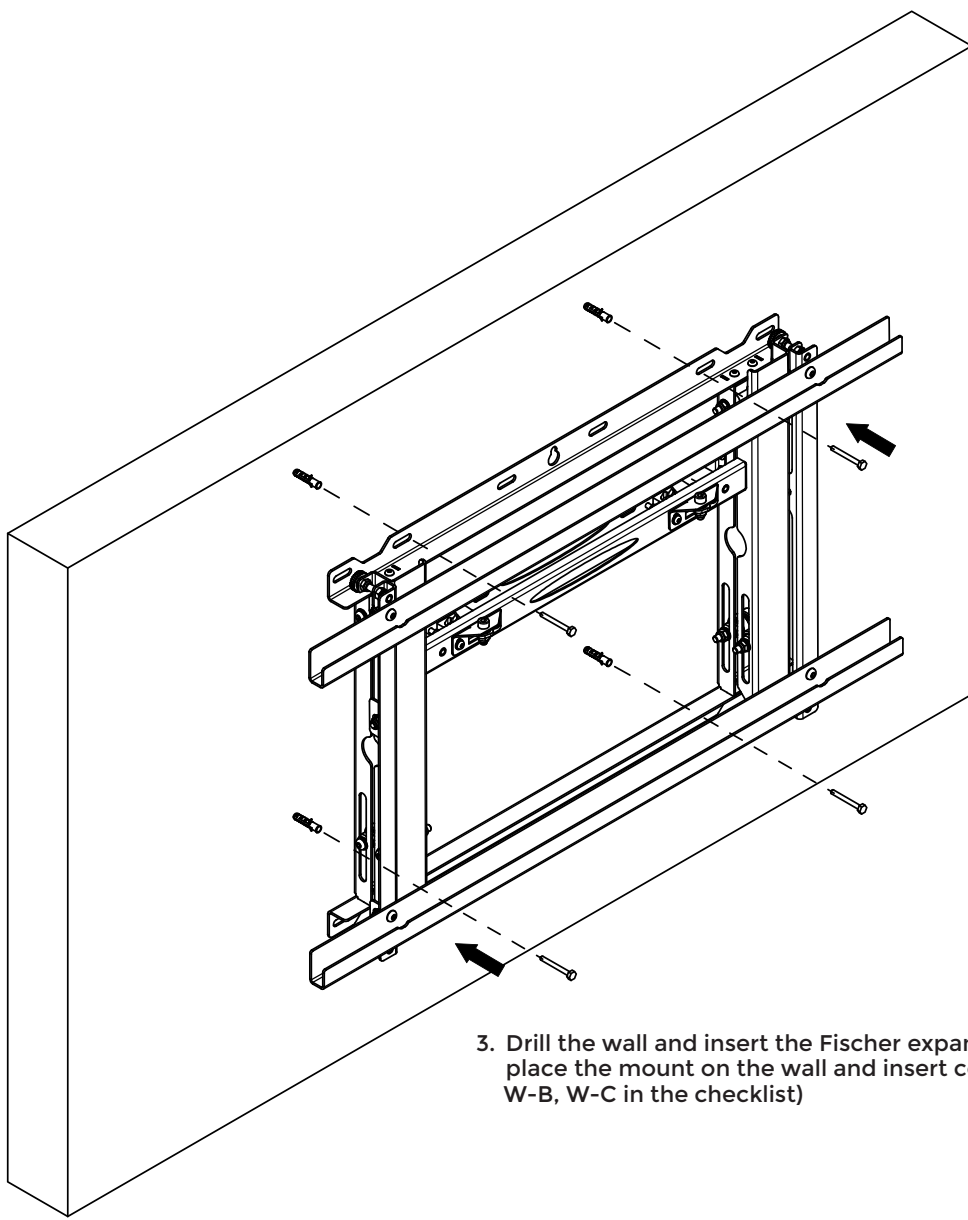
**CAUTION :** Wear safety glasses while operating power equipment.  
Failure to comply may result in eye injury



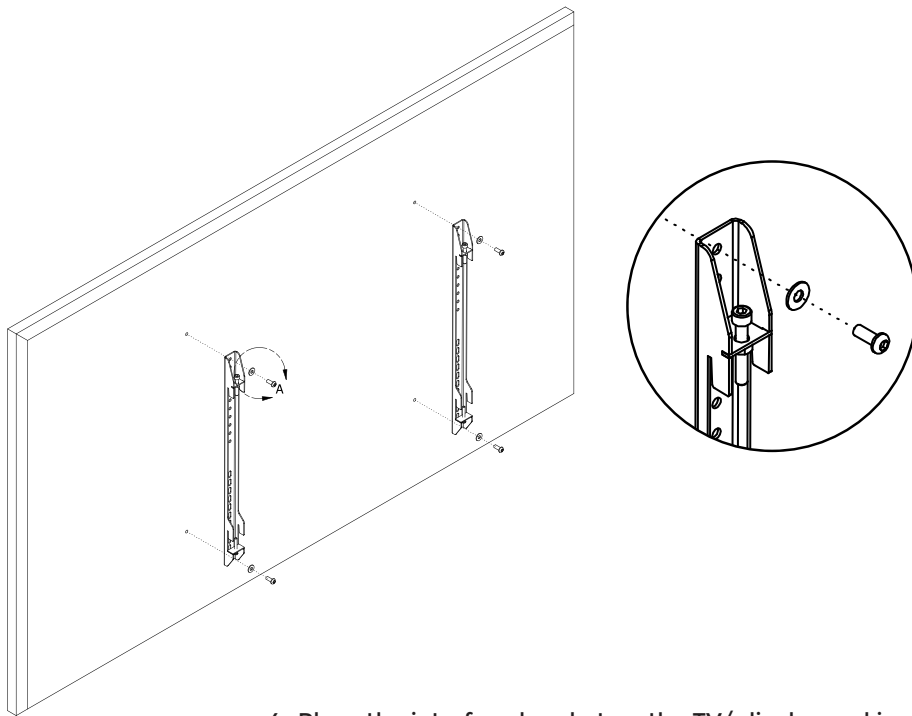
1. Place the mount on the wall



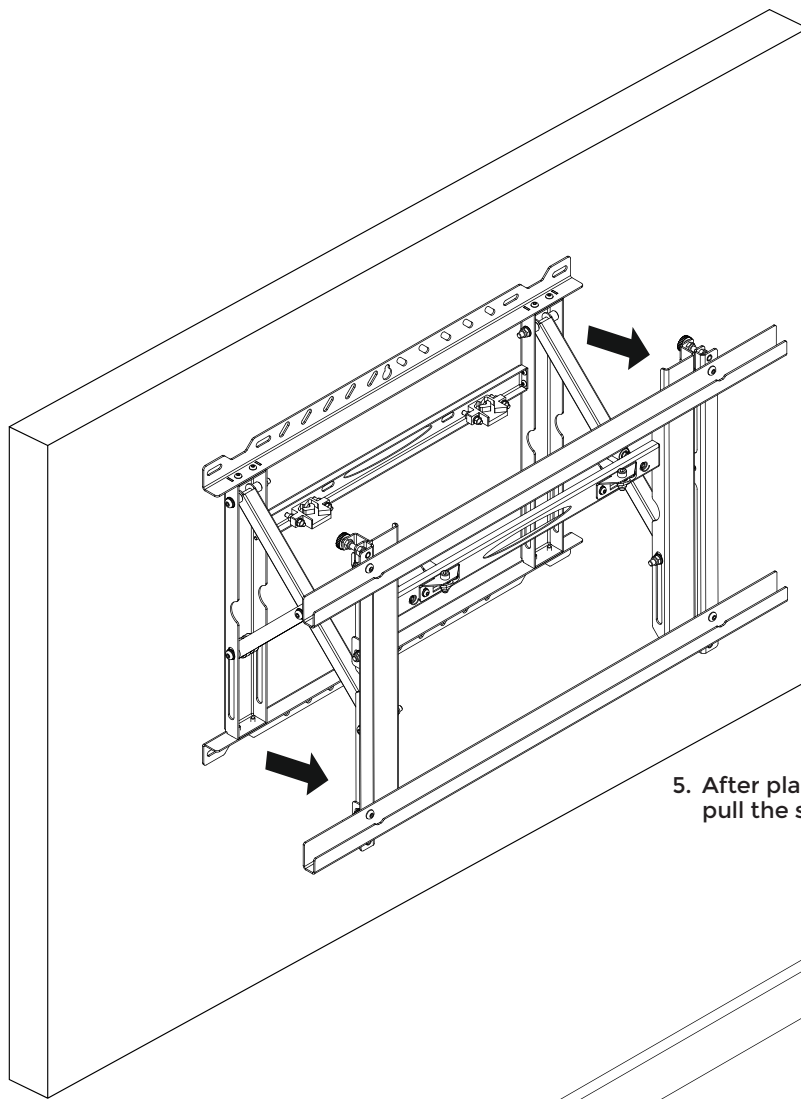
2. Place the unit on the wall and make marks on the wall.  
Note: While marking make sure the mount is placed in a straight line using the surface leveler



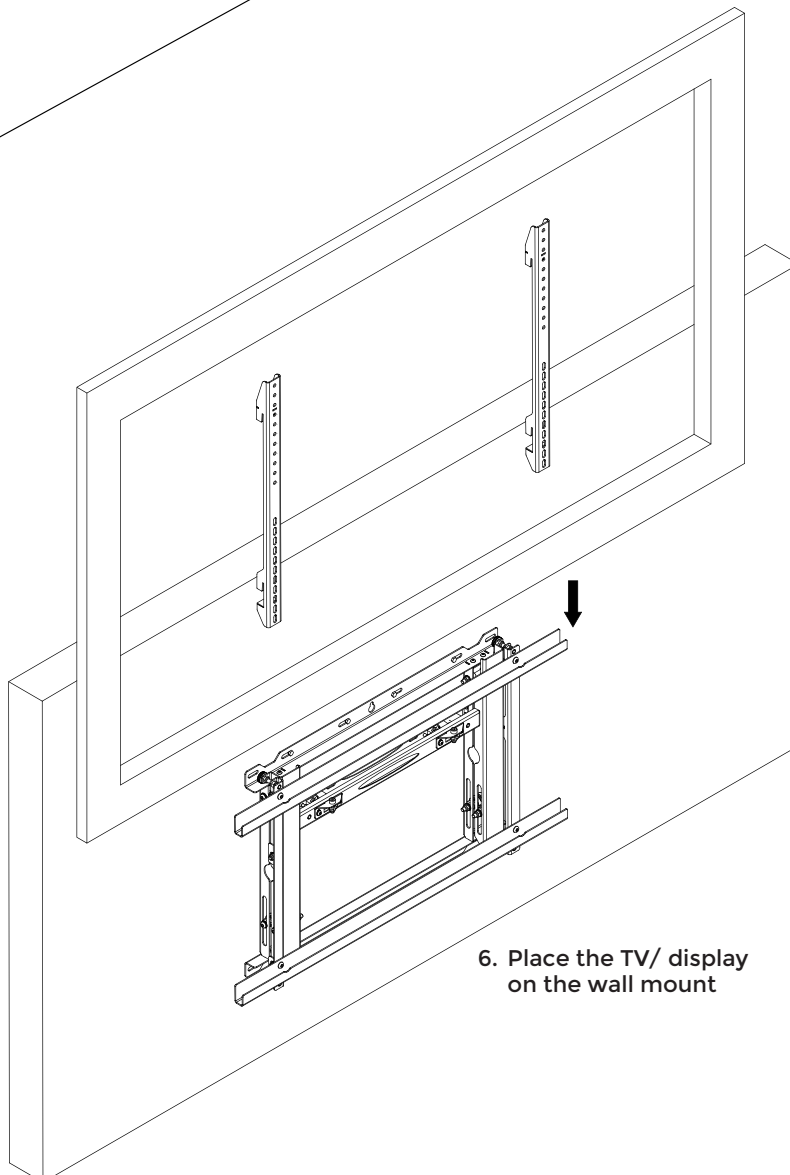
3. Drill the wall and insert the Fischer expansion plugs into the holes place the mount on the wall and insert concrete screw. (Refer W-A, W-B, W-C in the checklist)



4. Place the interface bracket on the TV/ display and insert the washer and screw (Refer the checklist for the suitable screw and washer)

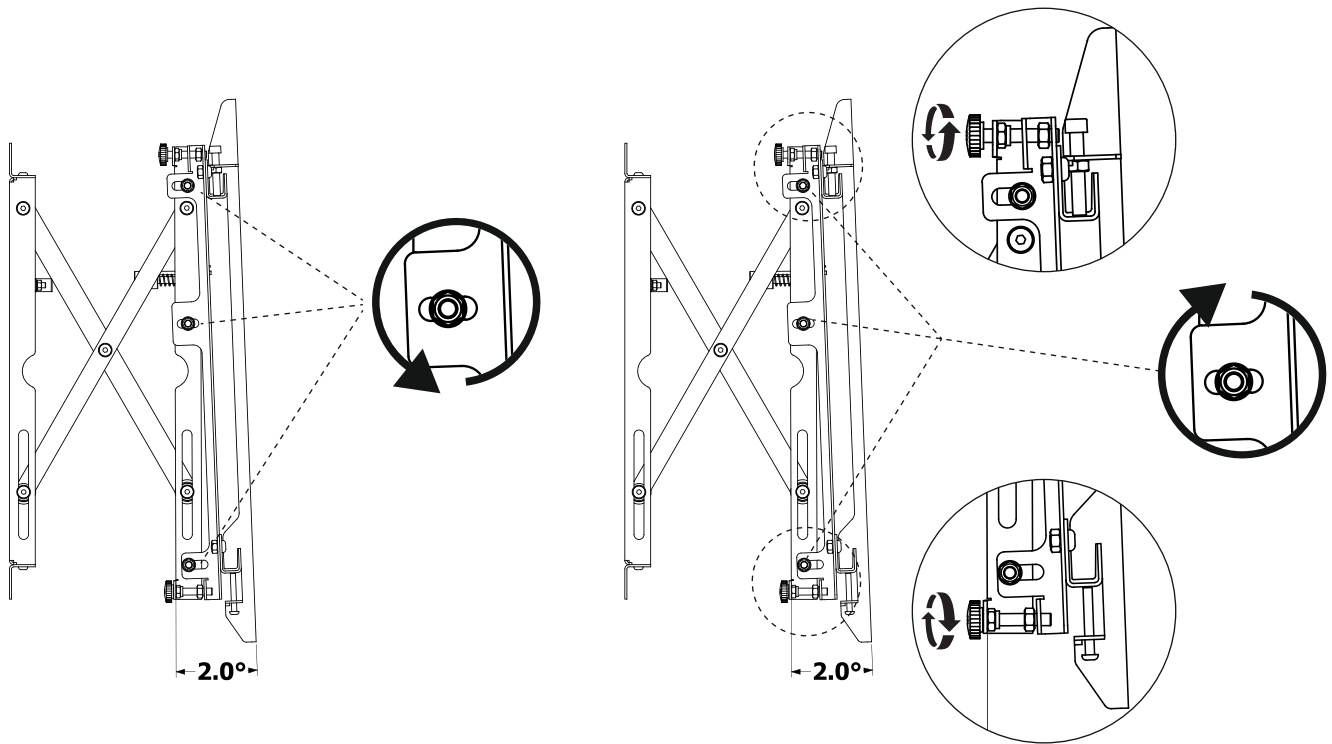


5. After placing the mount to the wall, pull the swivel mount towards the front

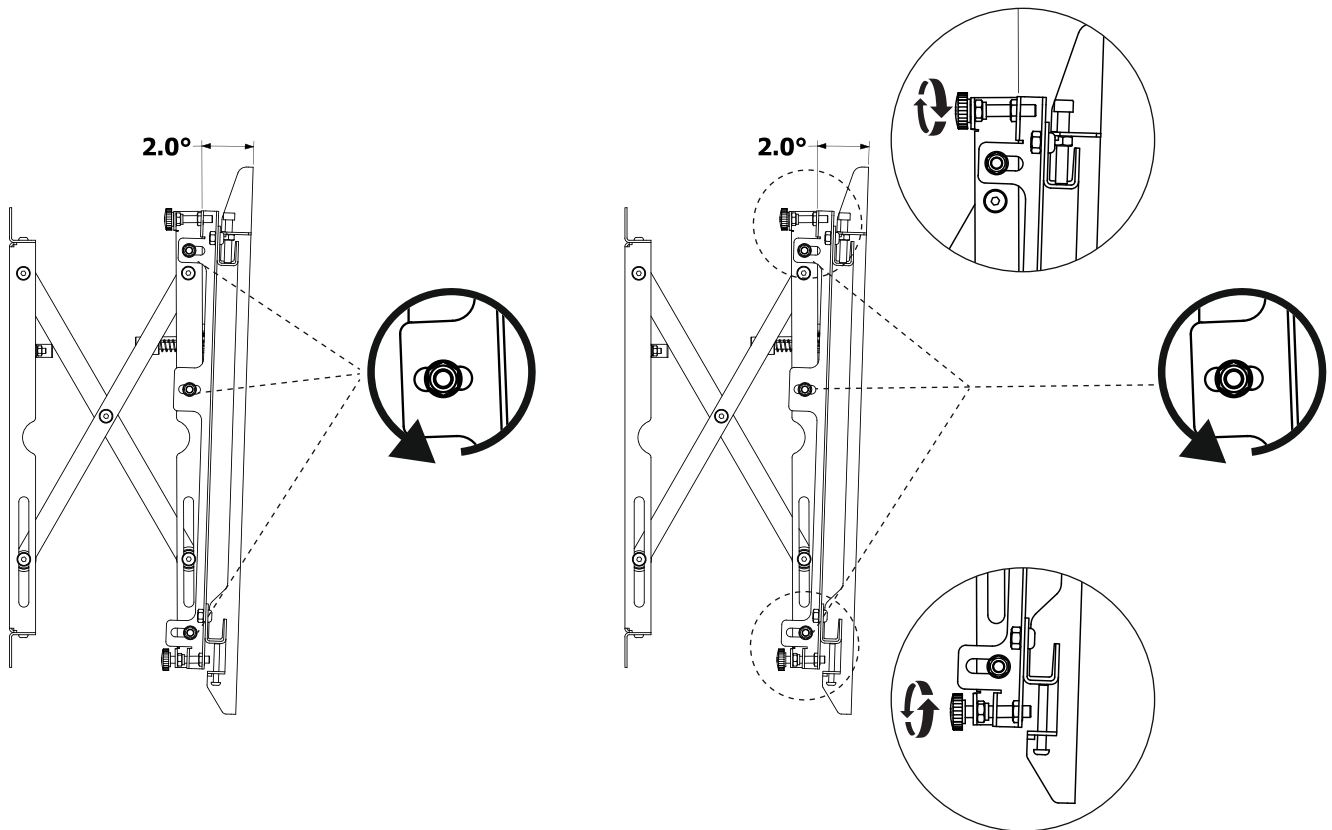


6. Place the TV/ display on the wall mount

## Angle adjustment details

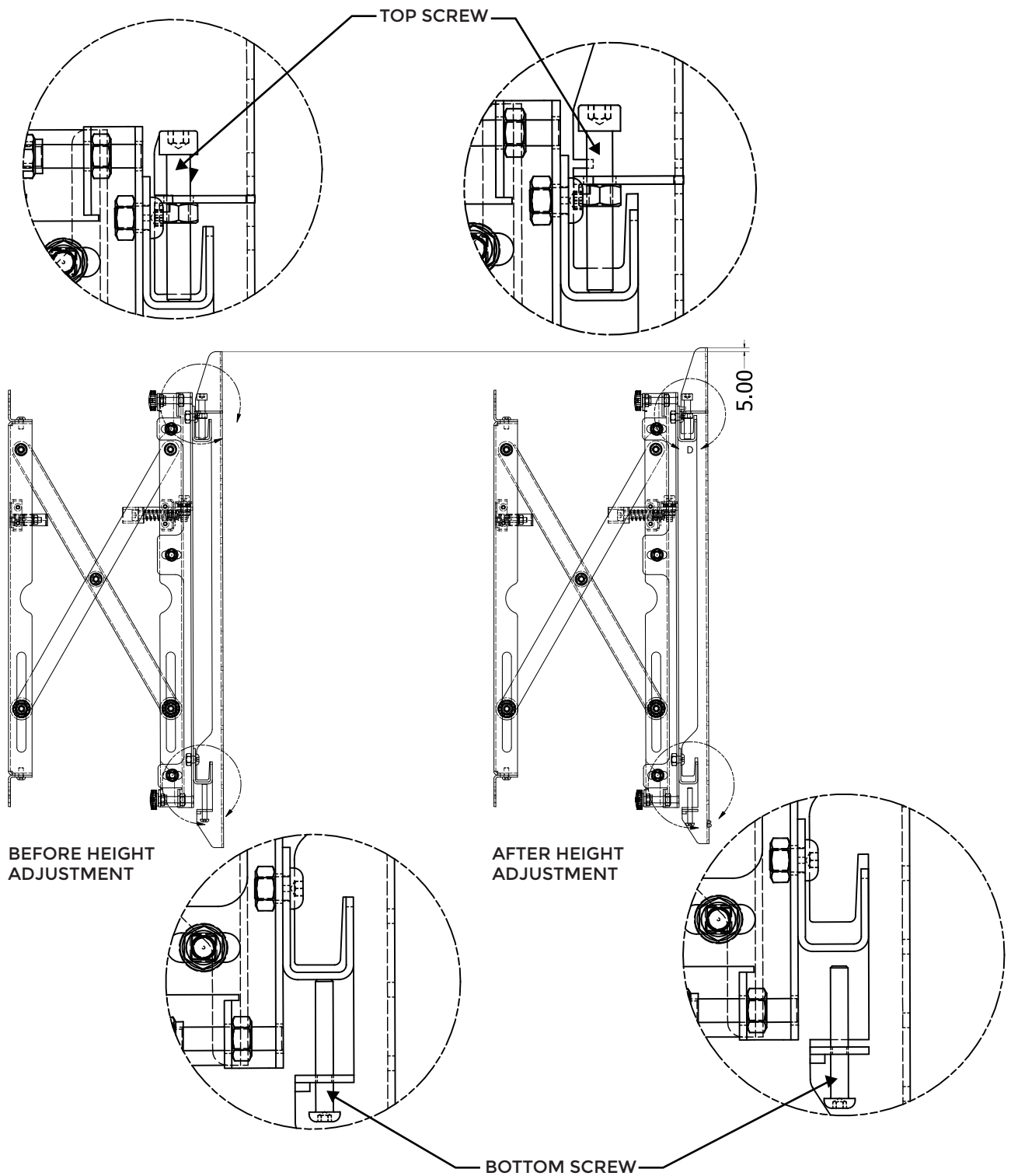


7. Rotate the three screw slightly, and then rotate the top knob anti-clockwise for angle adjustment next rotate the bottom knob clockwise, then tighten the three screw.

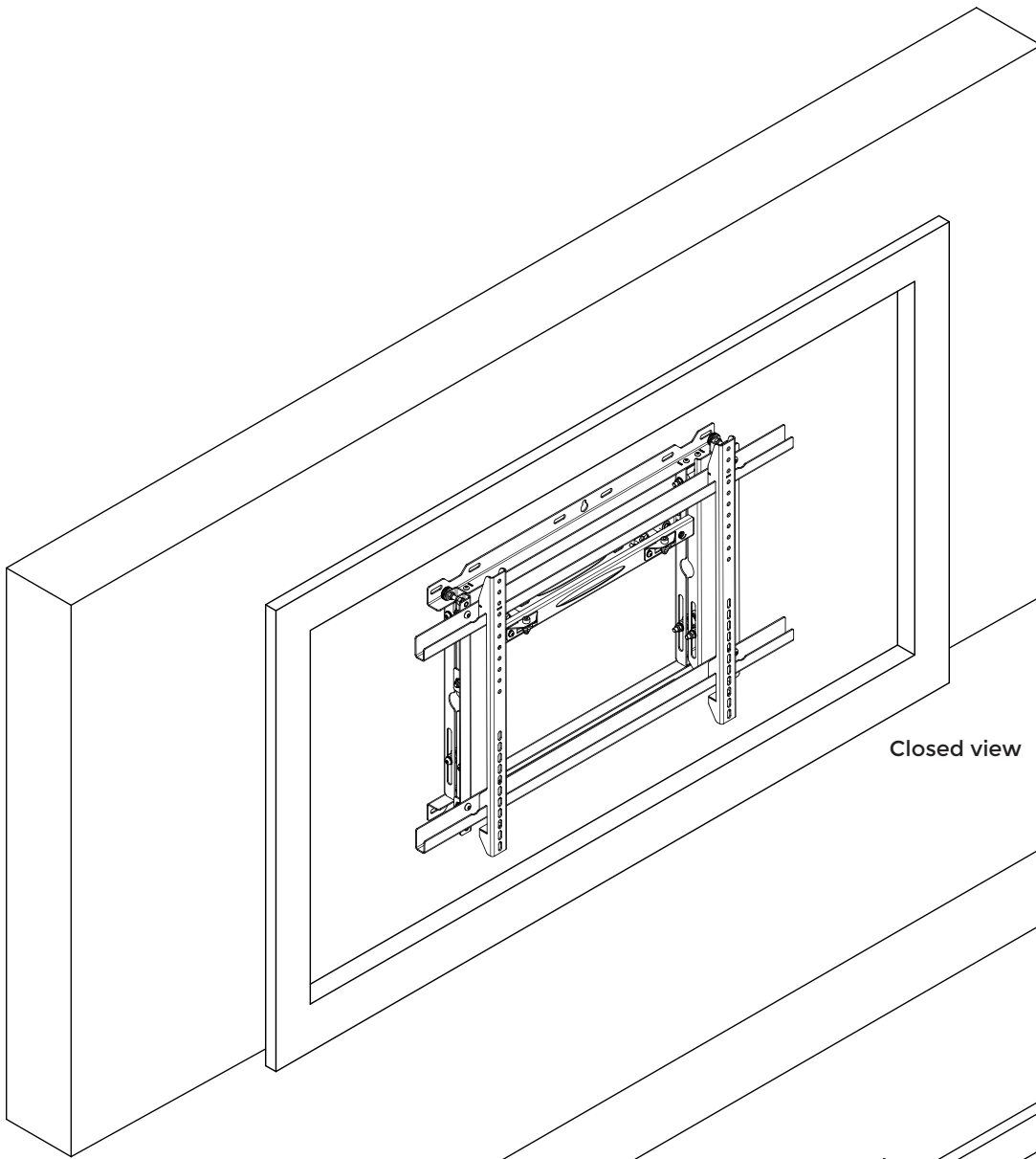


8. Rotate the three screw slightly, and then rotate the top knob clockwise for angle adjustment next rotate the bottom knob anti-clockwise, then tighten the three screw.

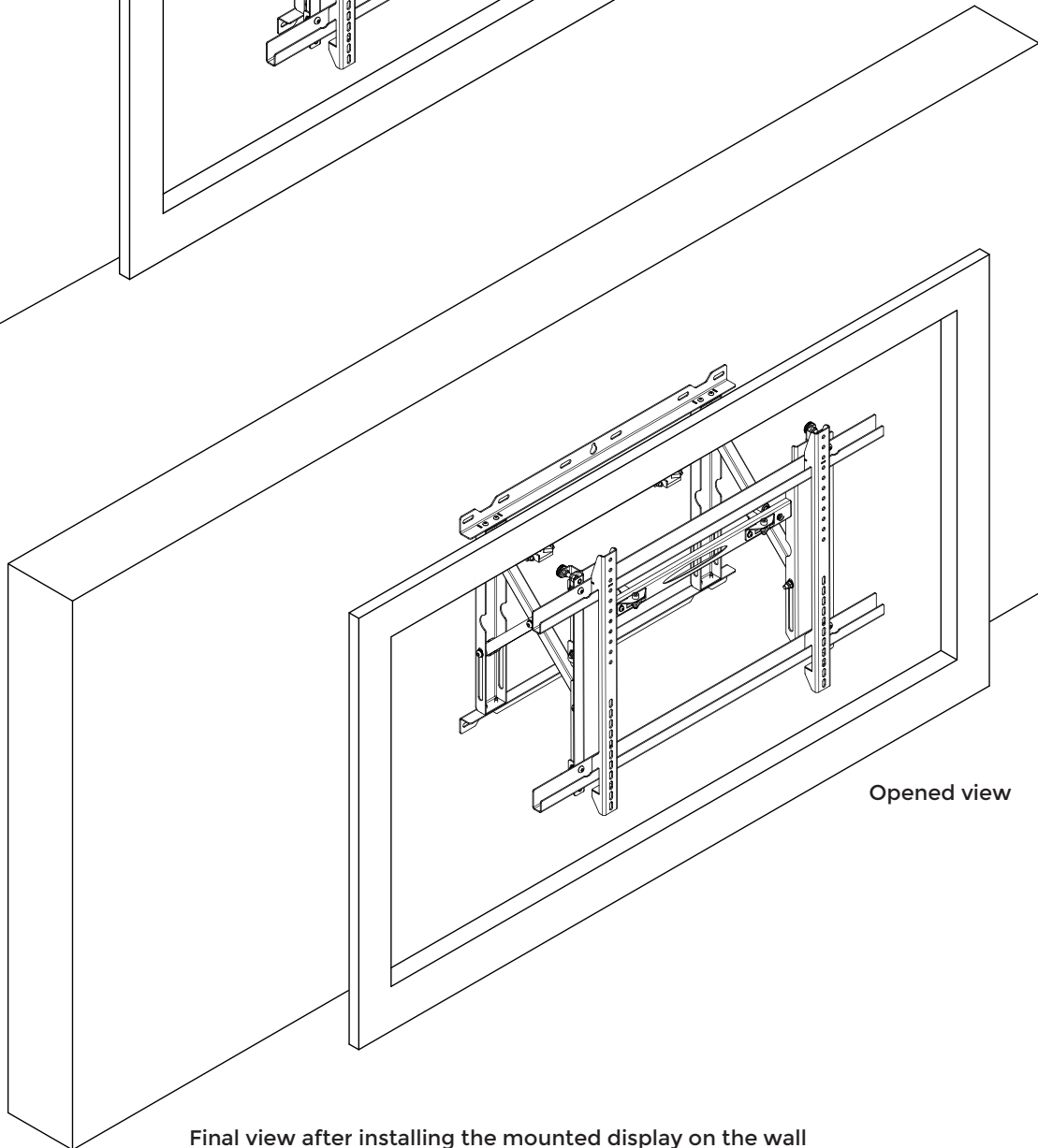
# Height adjustment details



9. Slightly loosen the below screw first and next rotate the top screw for height adjustment. (Refer allen key M-H in the checklist)



Closed view



Opened view

Final view after installing the mounted display on the wall