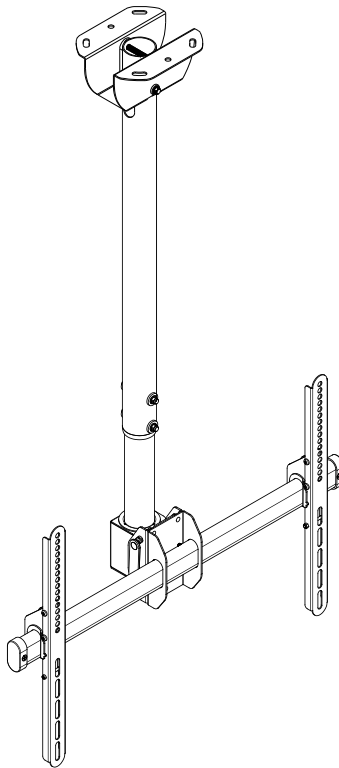


INSTALLATION MANUAL

CEILING MOUNT

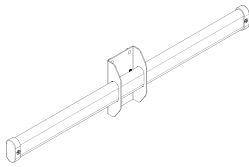


| MODEL | SERIES | VESA | DISPLAY SIZE | MAX LOAD |
|-----------|---------------|-----------------------|--------------|-----------------|
| LGCM-65-5 | Ceiling Mount | 200x200 to 600x400 | 42" to 65" | 110 lbs (50 kg) |

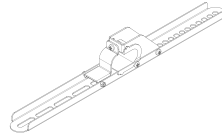
Checklist



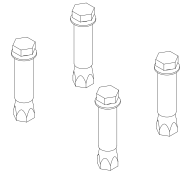
Connecting rod x 1



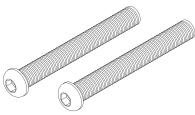
Horizontal bracket x 1



Interface bracket x 2



W-A: Anchor bolt x 4



M-A: M8 X 65 x 2



M-A: M8 x 2



M-A: Metal washer x 4



M-A: Plastic washer x 4



M-B: M8 X 25 x 4



M-B: Metal and plastic washer x 4



M-C: M6 X 20 X 4



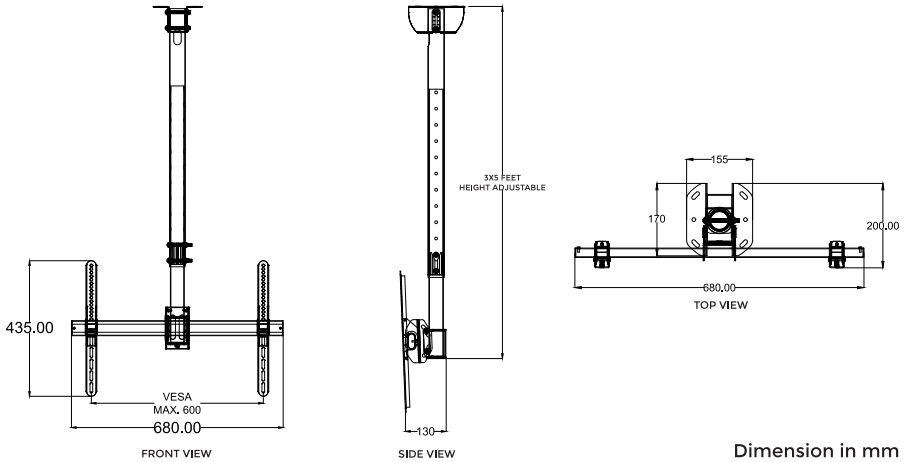
M-C: Metal and plastic washer x 4



M-D: Allen key x 1

IMPORTANT : Ensure that you have received all parts according to the checklist prior to installation.

1. Product Dimension

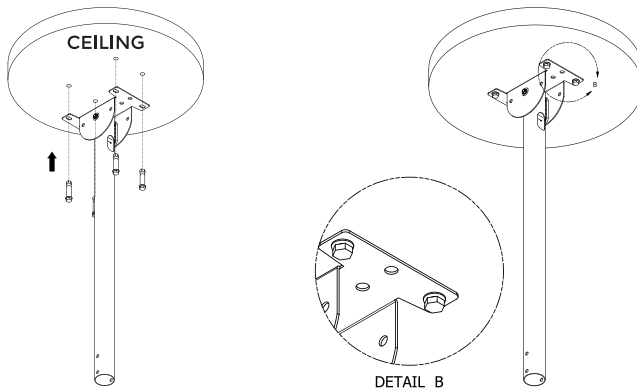


2. Installation

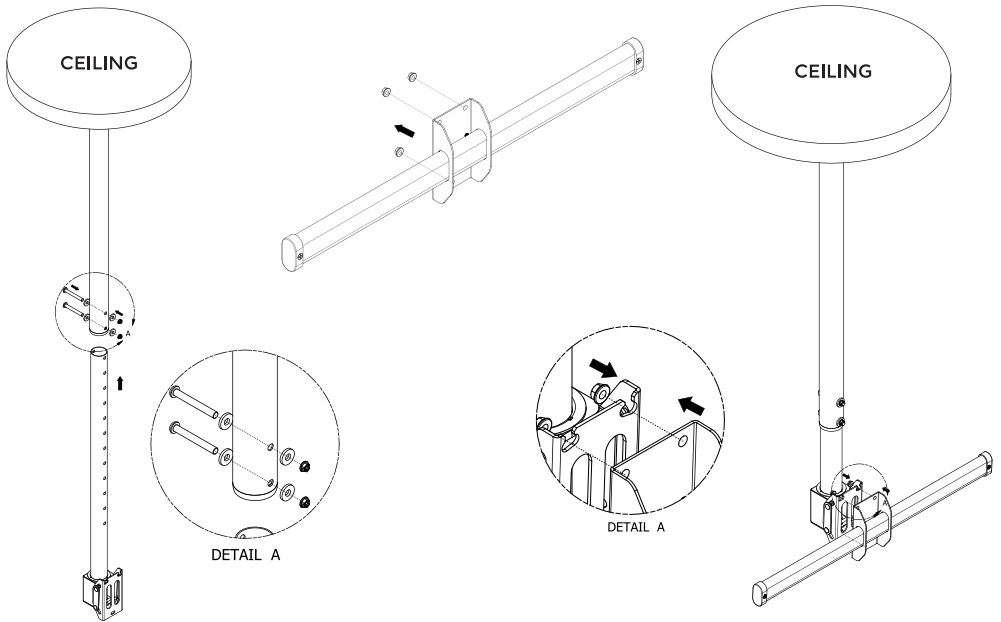
Choose below method for fixing projector mount.

ATTENTION: Drilling the ceiling for the projector mount should be executed by a craftsman only Exercise care to prevent any scar or damage to the wall.

CAUTION : Wear safety glasses while operating power equipment. Failure to comply may result in eye injury

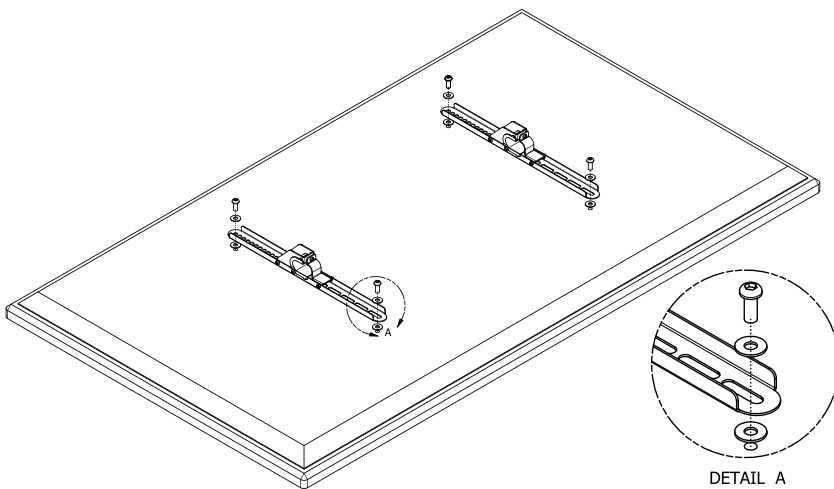


1. Place the ceiling mount on the ceiling mark on it and then drill, place the ceiling mount and insert the anchor bolt (Refer W-A in the checklist-kit)

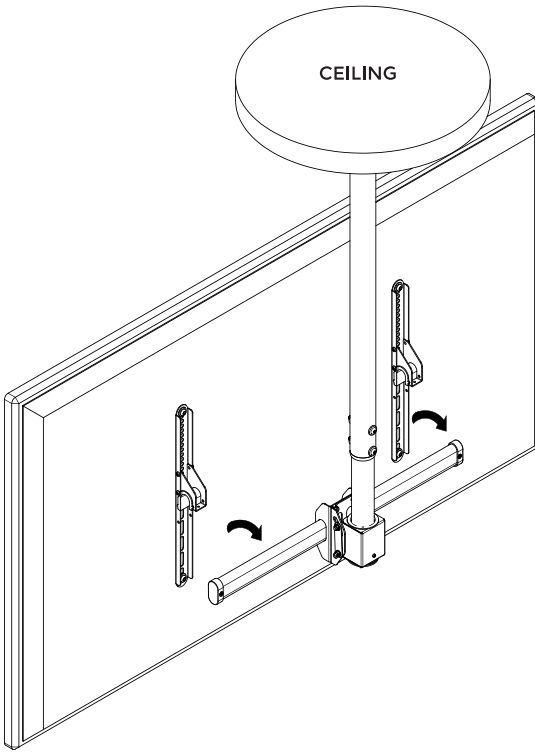


2. Place the id rod and then insert the bolt nut. (Refer M-A in the check list)

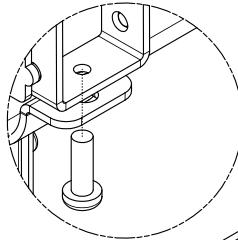
3. Remove the nut from the horizontal bracket and place on the ceiling mount then insert the nut.



4. Place the interface bracket on the TV/ display and insert the washer and screw (Refer the checklist for the suitable screw and washer)

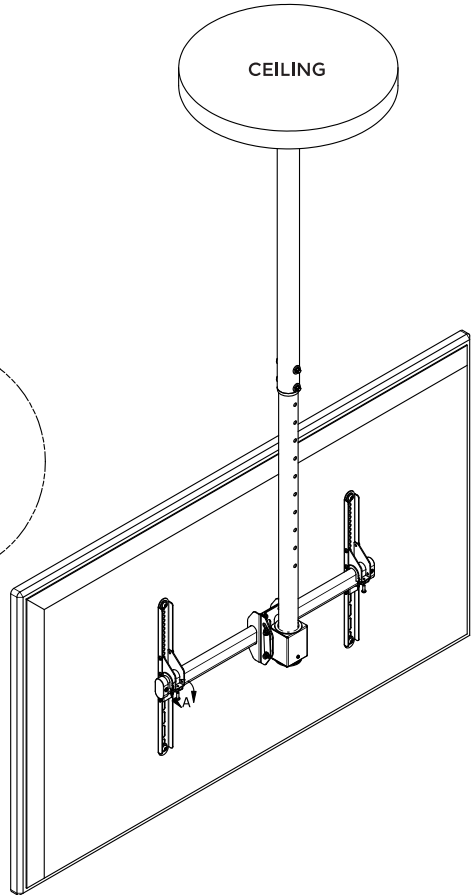


6. Remove the clamp screw and place the TV/display on the ceiling mount

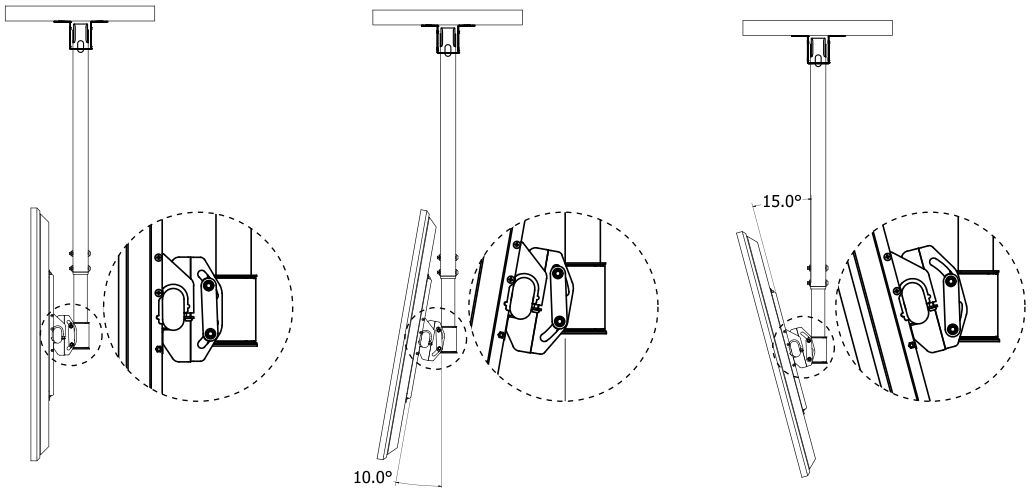
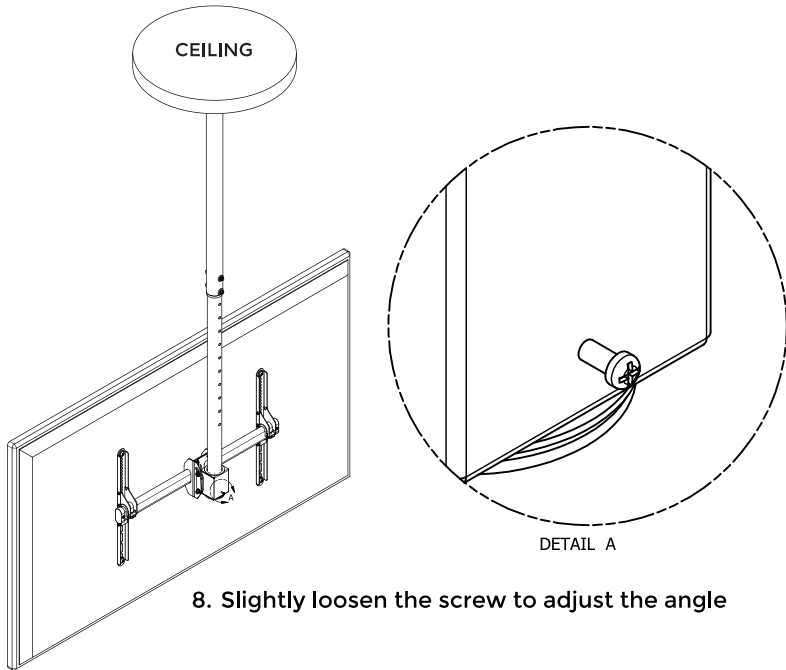


DETAIL A

7. After placing the display insert screw to the clamp

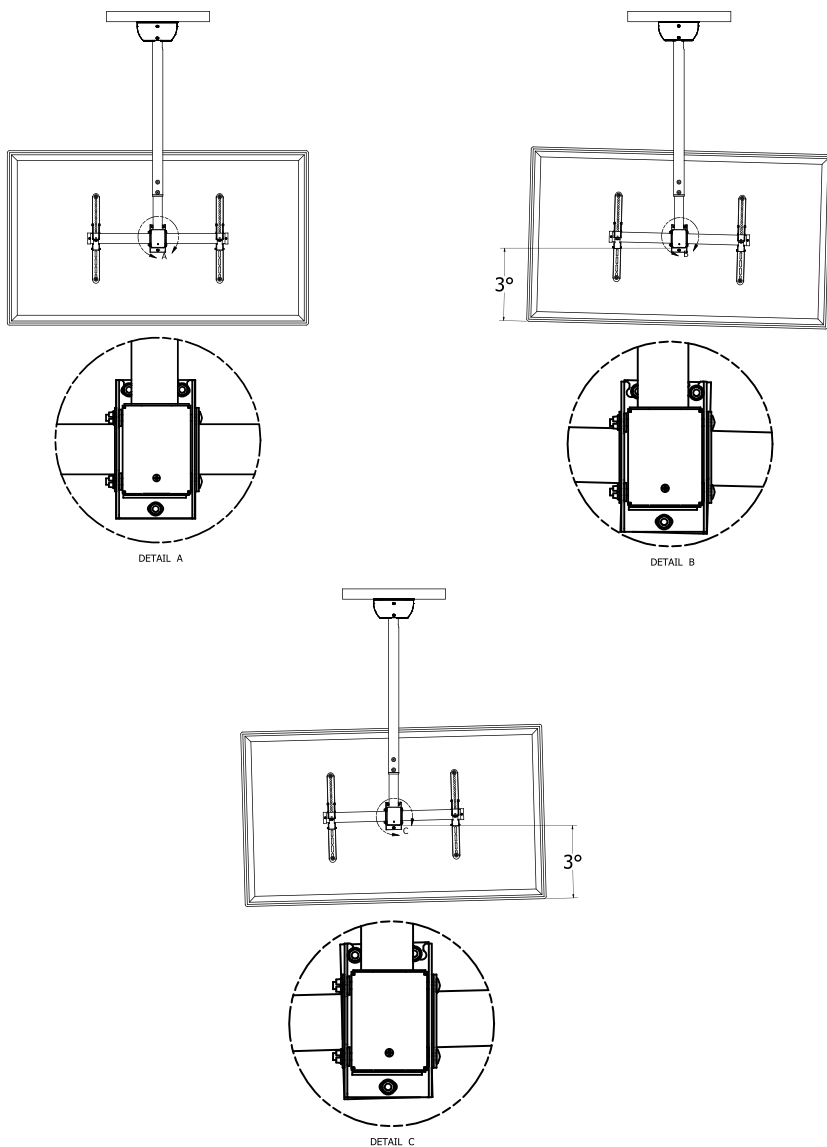


Angle adjustment details

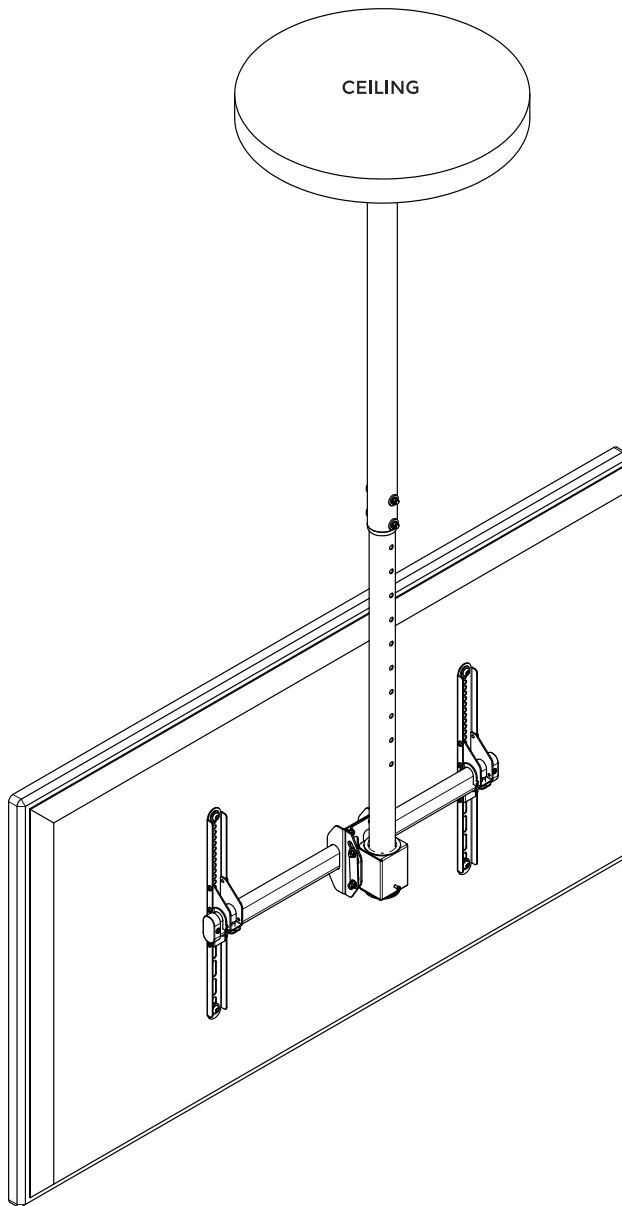


9. Slightly loosen the screw to adjust the angle

Angle adjustment details



10. Slightly loosen the screw to adjust the angle



Final view after installing the mounted Projector on the Ceiling