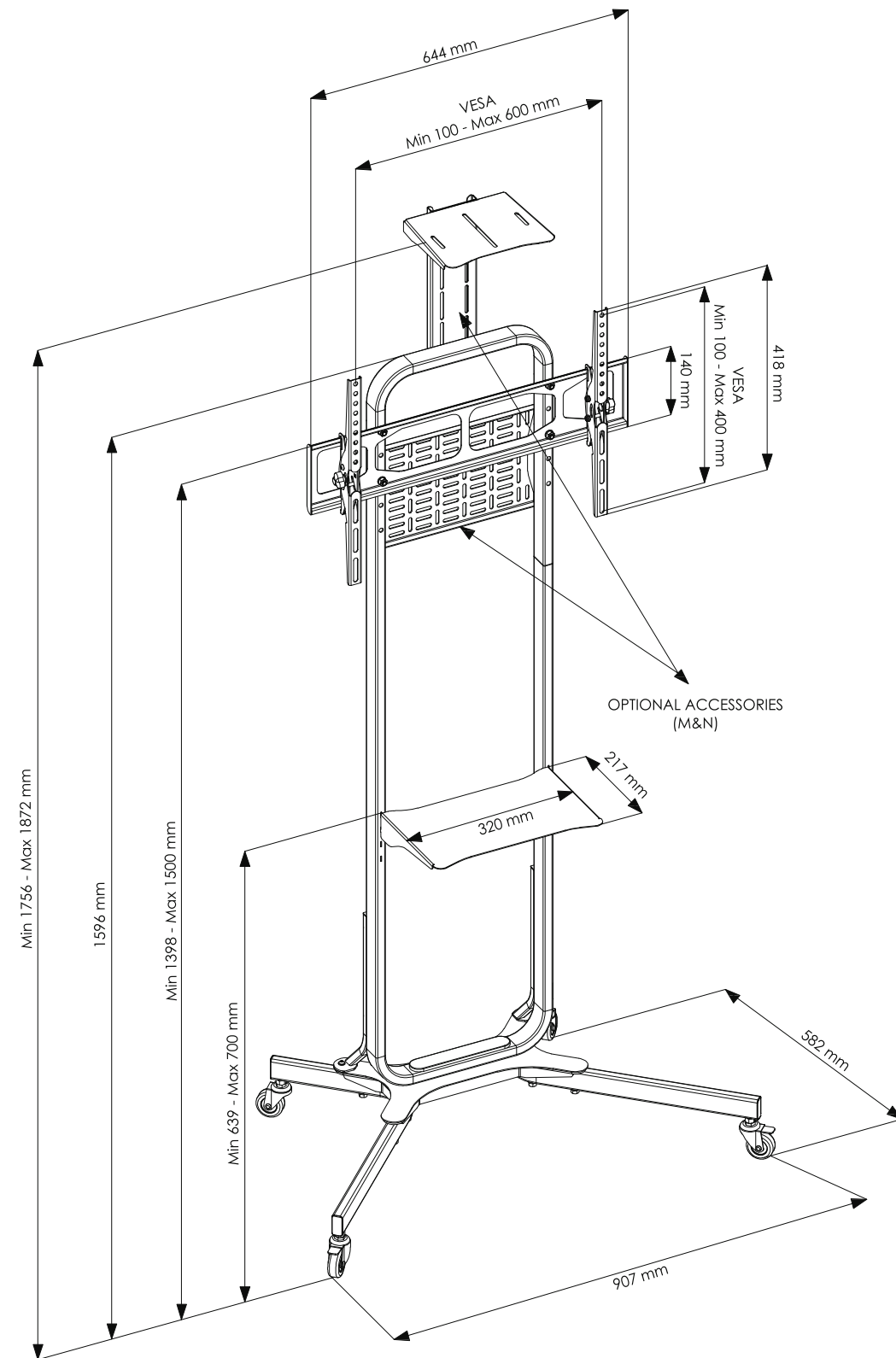


## PRODUCT DIMENSION

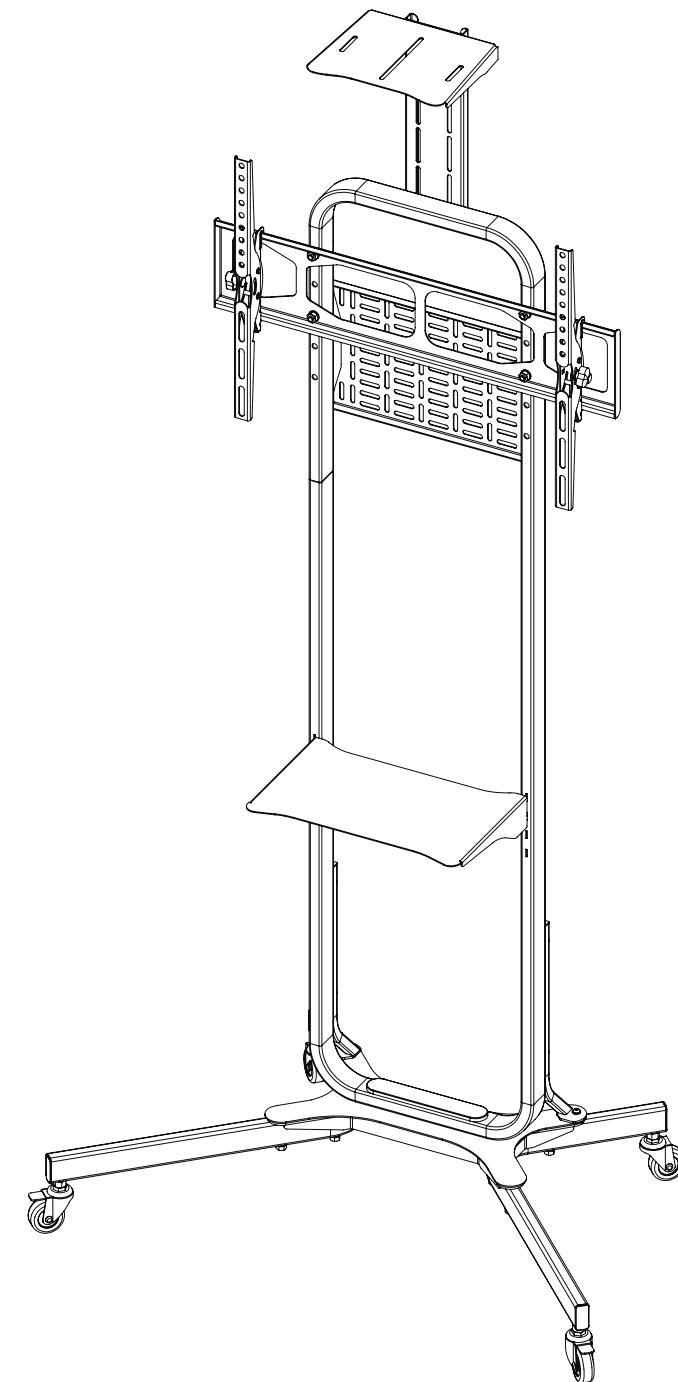


[www.logicav.in](http://www.logicav.in)

# LOGIC

## INSTALLATION MANUAL

### LGFS-3255 FLOOR MOUNT



Model	Max. Load	Display Sizes	VESA	Product Weight	Shipping Weight
LGFS-3255	88.1 lbs (40 kg)	32" to 55"	100 x 100 to 600 x 400	15 kg	18 kg

<b>C H E C K L I S T</b>	<b>A</b>  BASE	<b>B</b>  BASE COLUMN LH - RH	<b>C</b>  MAIN FRAME	<b>D</b>  BASE COVER	<b>E</b>  FIXING PLATE	<b>F</b>  SUPPORT TUBE	<b>OPTIONAL ACCESSORIES</b>  <b>M</b> <b>N</b>   EQUIPMENT RACK ER-LGFS-3255 CAMERA LEDGE CL-LGFS-3255
	<b>G</b>  MATERIAL SHELF	<b>H</b>  MOUNTING BRACKET	<b>I</b>  VESA TILTING BRACKET	<b>J</b>  ROTATING CASTER WHEEL	<b>K</b>  LOCKING CASTER WHEEL	<b>L</b>  FASTENER POUCH	

**Step 1**

8 x M-H  
8 x M-F  
8 x M-C

FIX BASE AND BASE COLOUMN (RH&LH) WITH HARDWARES M-C, M-H AND M-F

**Step 2**

2 x J  
2 x K

FIX THE ROTATING CASTERS (Jx2) BACKSIDE OF BASE COLUMN  
FIX THE LOCKING CASTERS (Kx2) FRONTSIDE OF BASE COLUMN

**Step 3**

3 x M-G  
3 x M-G

FIX THE MAIN FRAME (C) T O BASE (A) ALONG WITH BASE COVER (D) WITH HARDWARE M-G.

**Step 4**

6 x M-E & M-A

FIX THE SUPPORT TUBE (F) TO MAIN FRAME WITH HARDWARE M-E AND M-A.

DETAIL I

**Step 5**

DETAIL G

FIX THE MATERIAL SHELF (G) TO THE MAIN FRAME. SLOT ARE PROVIDED IN MAIN FRAME TO FIX THE MATERIAL SHELF AND IT IS ADJUSTABLE ACCORDING TO THE DISPLAY HEIGHT.

**Step 6**

4xM-D  
8xM-F  
4xM-H

DETAIL J

FIX THE MOUNTING BRACKET (H) TO THE MAIN FRAME WITH HARDWARE M-F, M-H AND M-D.

<b>H A R D W A R E S</b>	<b>M-A</b>  M6X25mm Qty-10 nos	<b>M-B</b>  M8X25mm Qty-4 nos	<b>M-C</b>  M8X55mm Qty-8 nos	<b>M-D</b>  M8X55MM Qty-4 nos	<b>M-E</b>  M6 Washer Qty-10 nos
	<b>M-F</b>  M8 Washer Qty-20 nos	<b>M-G</b>  M10 Washer & Nut Qty-3 nos	<b>M-H</b>  M8 NUT Qty-12 nos	<b>M-I</b>  Plastic Bush Qty-4 nos	<b>M-J</b>  ALLEN KEY 4mm 5mm Qty-2 nos

**Step 7**

15°  
4 X M-E & M-A OR  
4 X M-F & M-B

FIX THE TILTING BRACKET (I) TO THE DISPLAY AS PER VESA SIZE AND USE THE HARDWARE ACCORDING TO SCREW SIZE PROVIDED IN THE DISPLAY (M-E & M-A or M-F & M-B).

**Step 8**

DETAIL M

FIX THE EQUIPMENT RACK (M) TO MAIN FRAME. SLOT ARE PROVIDED IN THE MAIN FRAME TO FIX THE EQUIPMENT RACK AND IT IS ADJUSTABLE ACCORDING TO USER REQUIRMENT. (OPTIONAL ACCESSORIES)

**Step 9**

2 x M-K  
2 x M-K

FIX THE CAMERA LEDGE (N) TO THE MAIN FRAME WITH HARDWARE M-K SLOTS ARE PROVIDED, IT IS ADJUSTABLE AS DISPLAY SIZE CHANGES. (OPTIONAL ACCESSORIES)