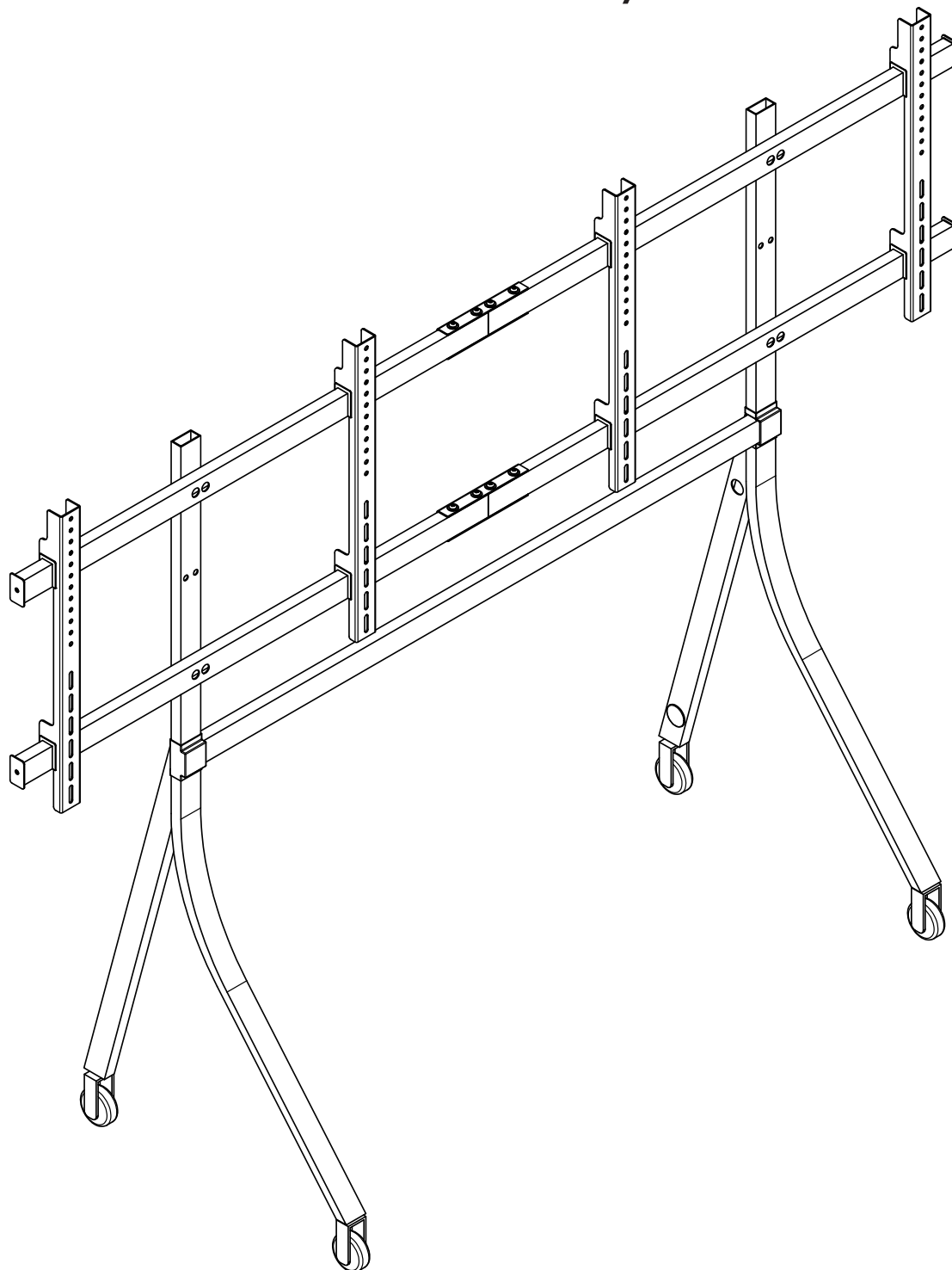


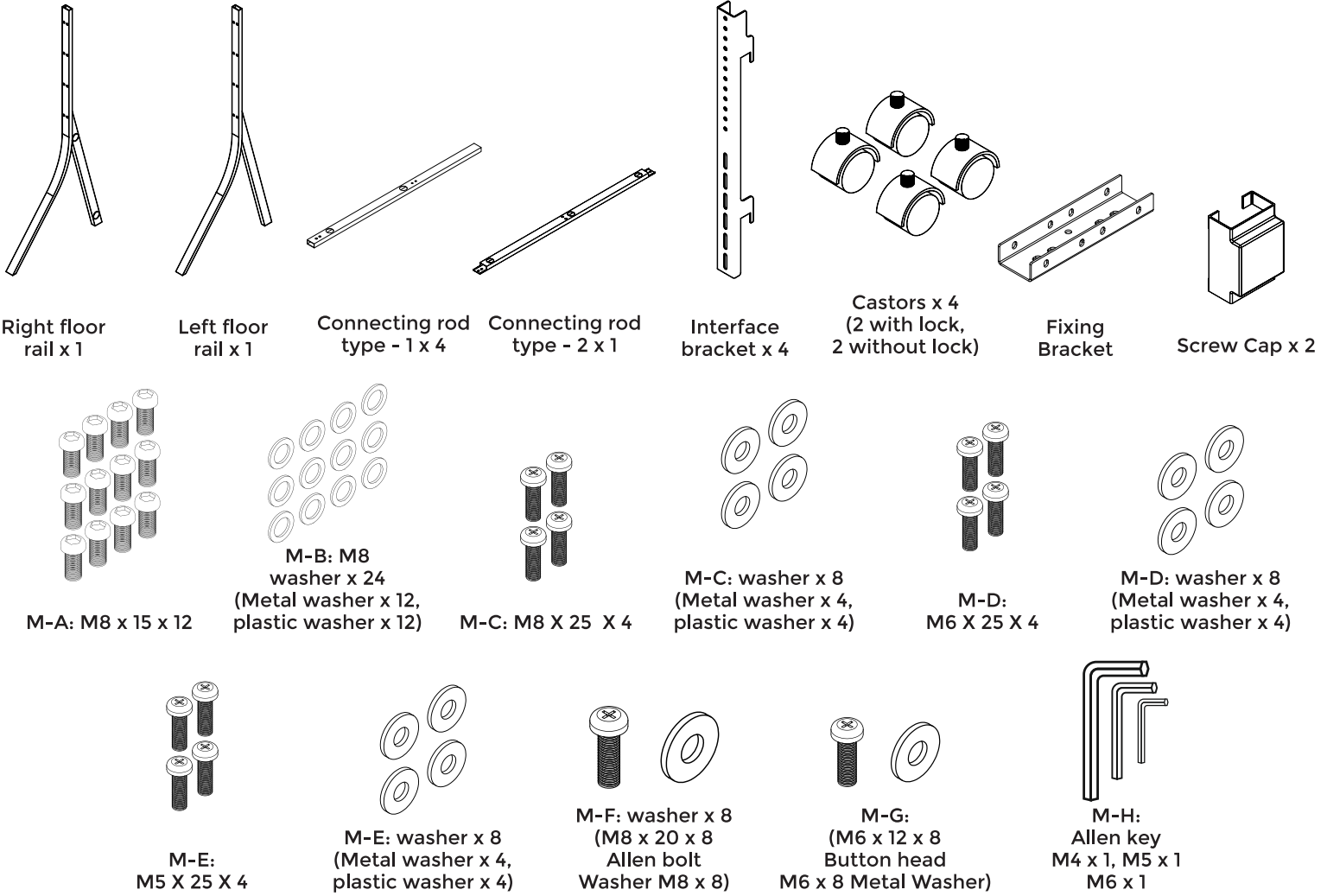
INSTALLATION MANUAL

FLOOR MOUNT TROLLEY/AV CART



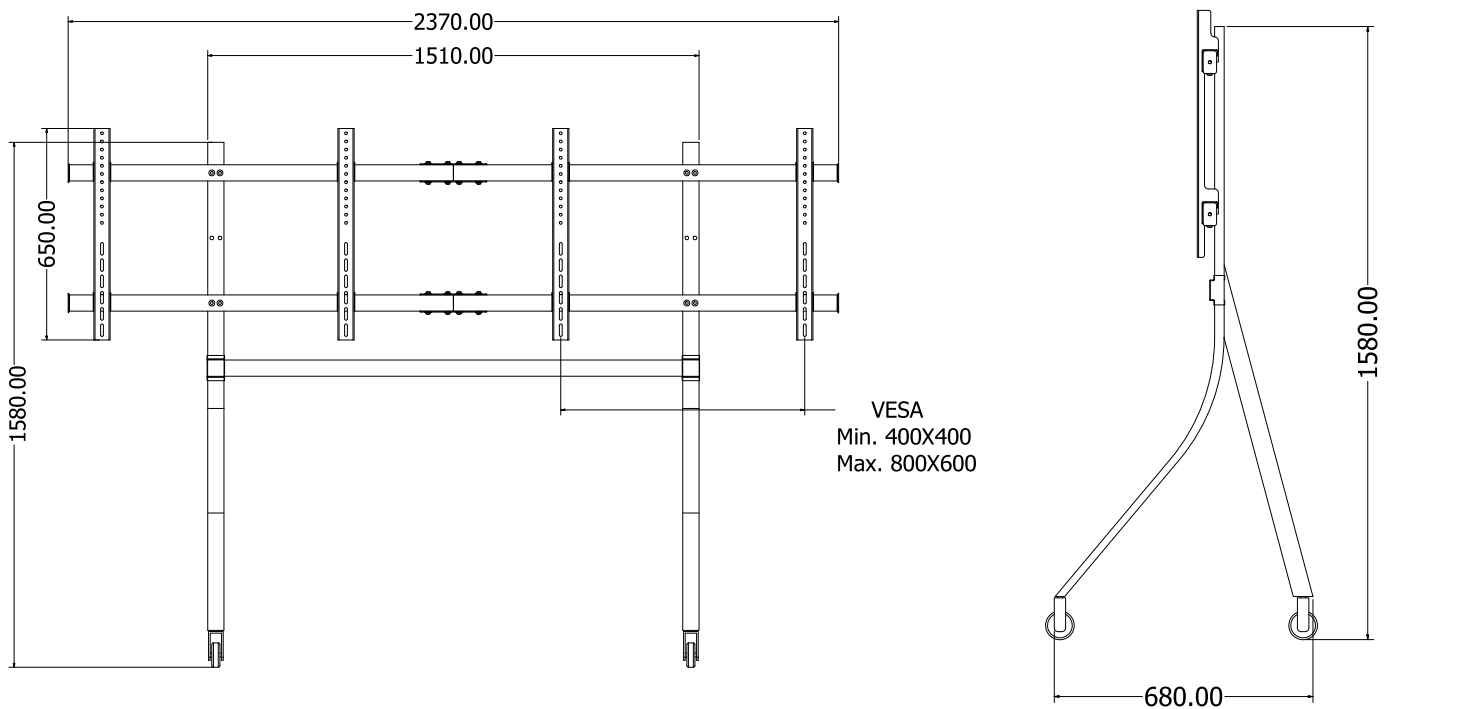
MODEL	SERIES	VESA	DISPLAY SIZE	MAX LOAD
LGFS-5565D	FLOOR MOUNT TROLLEY/AV CART	400x400 to 800x600	55" to 65"	265 lbs (120 kg)

Checklist



IMPORTANT : Prior to installation, ensure that you have received all the parts as per the checklist

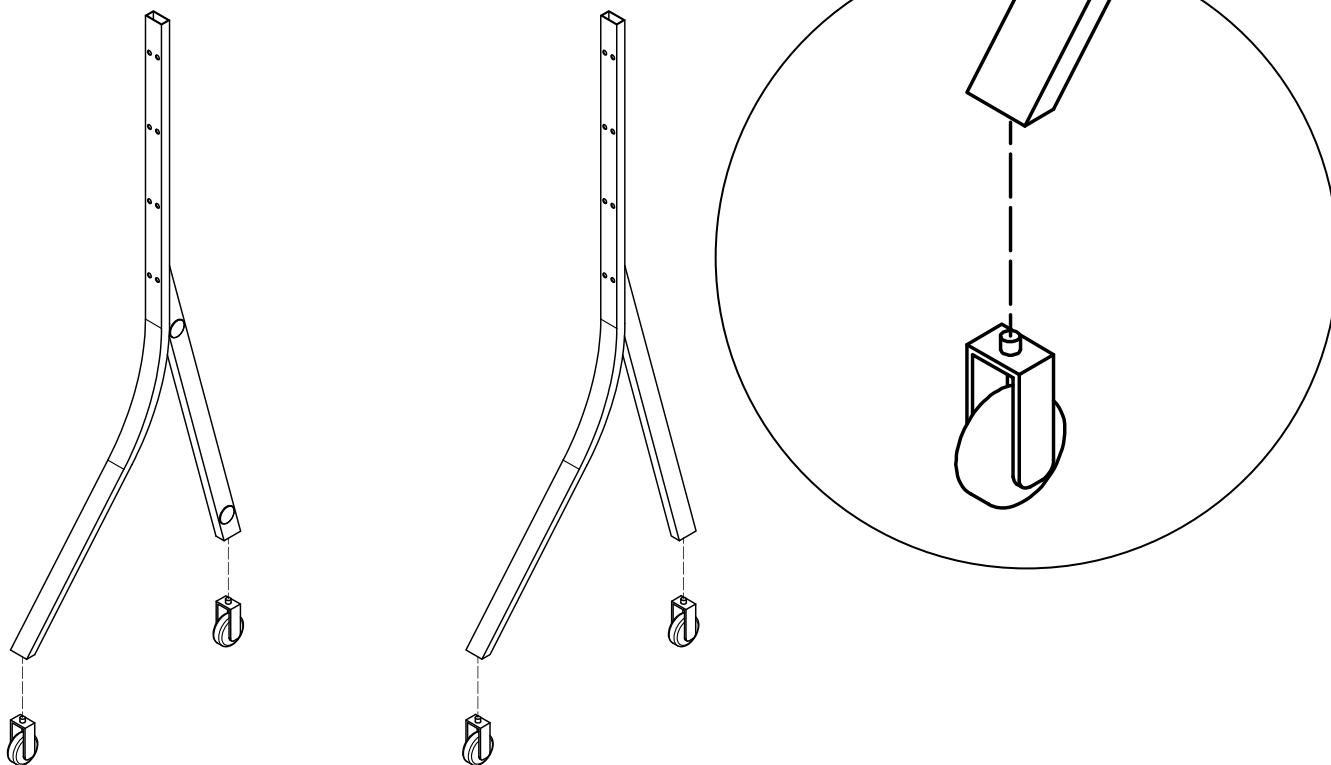
1. Product Dimension



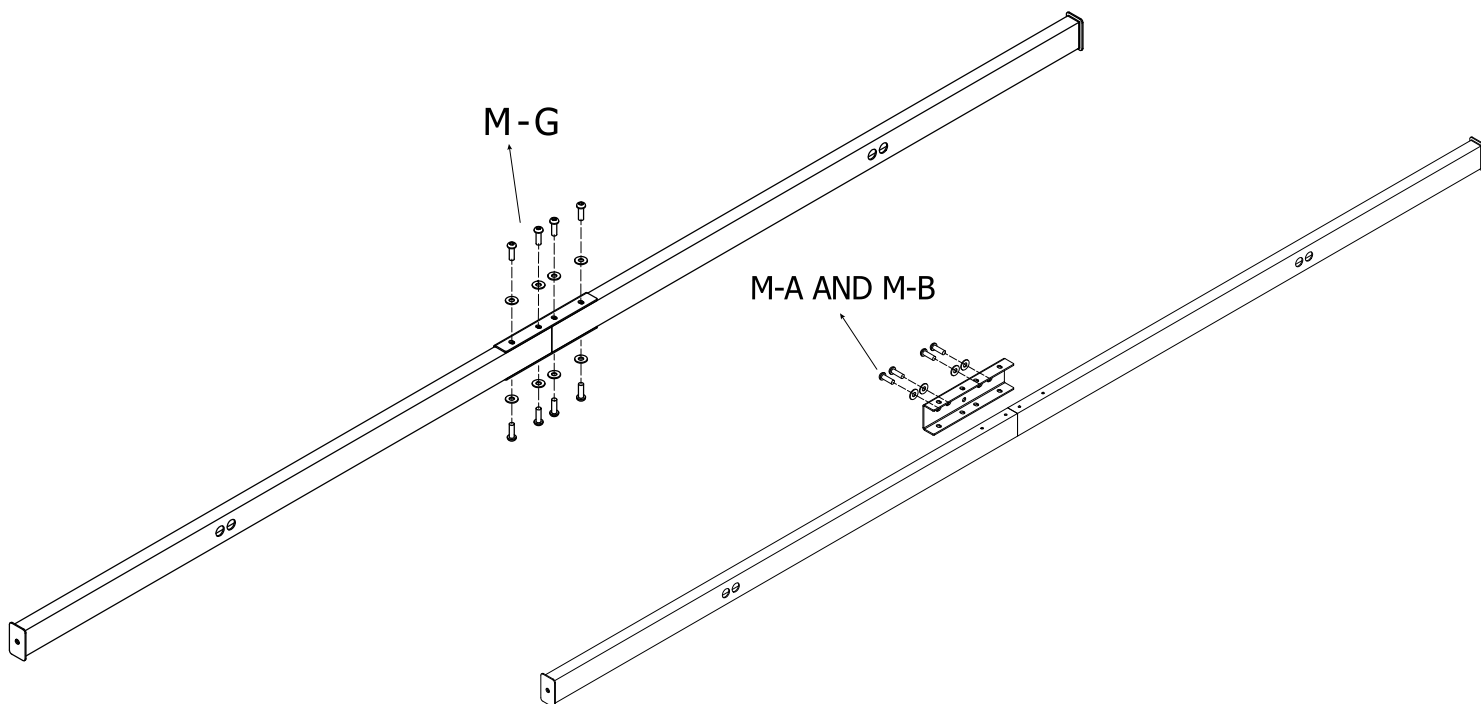
Dimension in mm

2. Installation

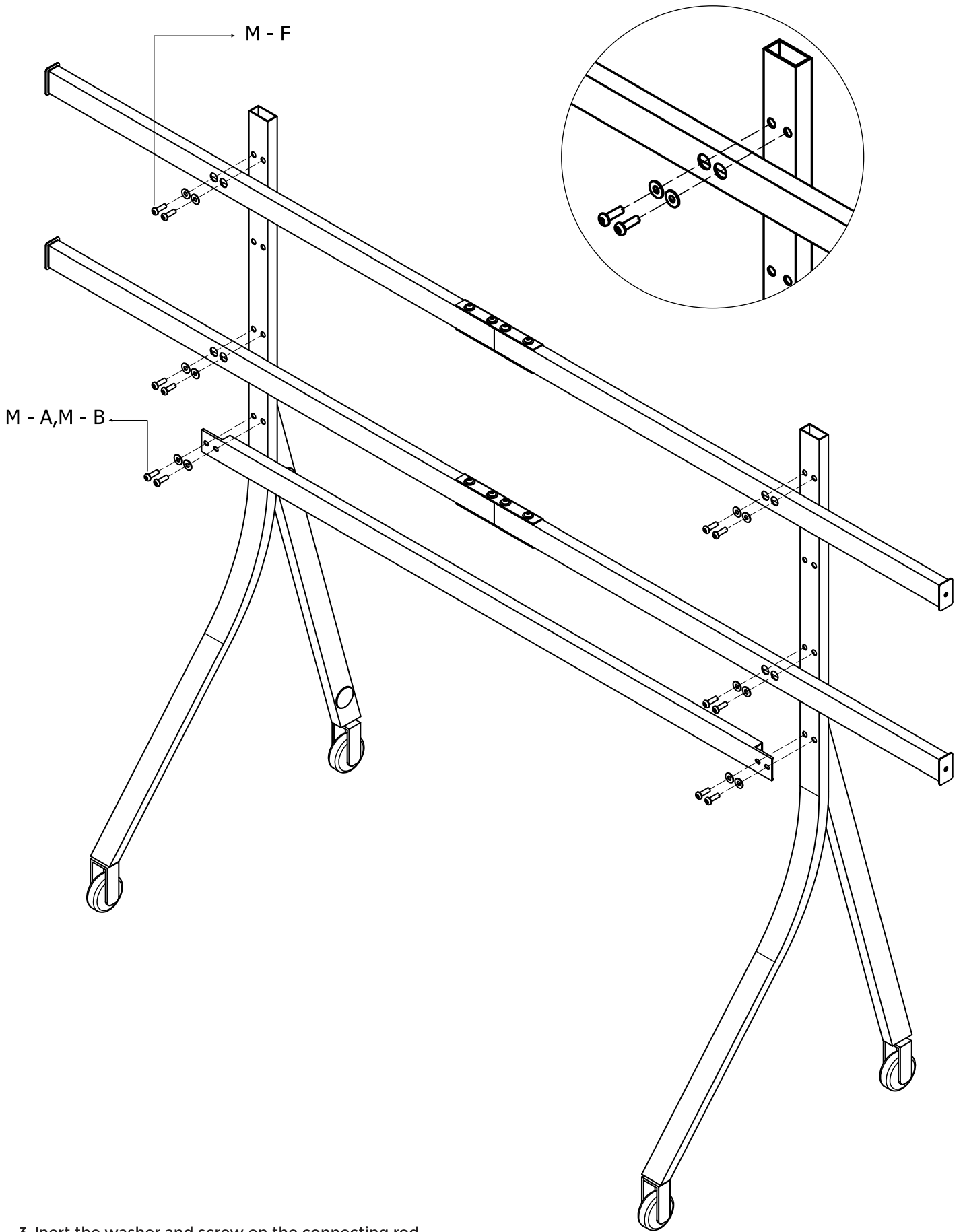
Instructions for fixing floor mount.



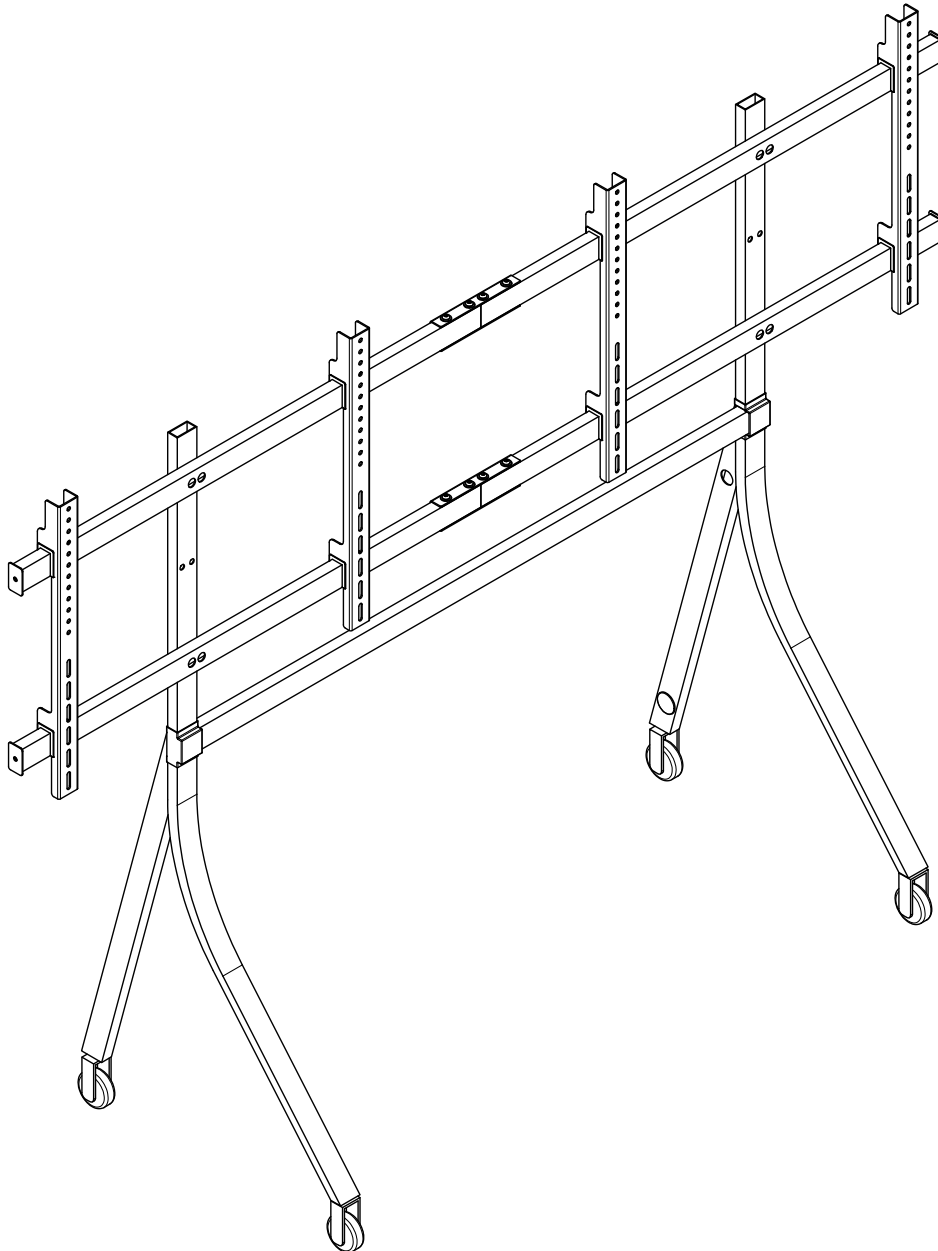
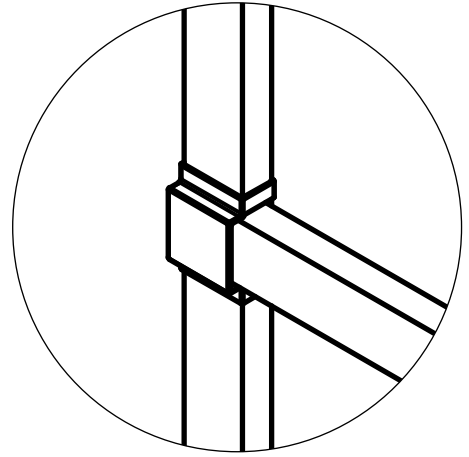
1. Place the castors to bottom side of the base left and right rail and tighten the castors.



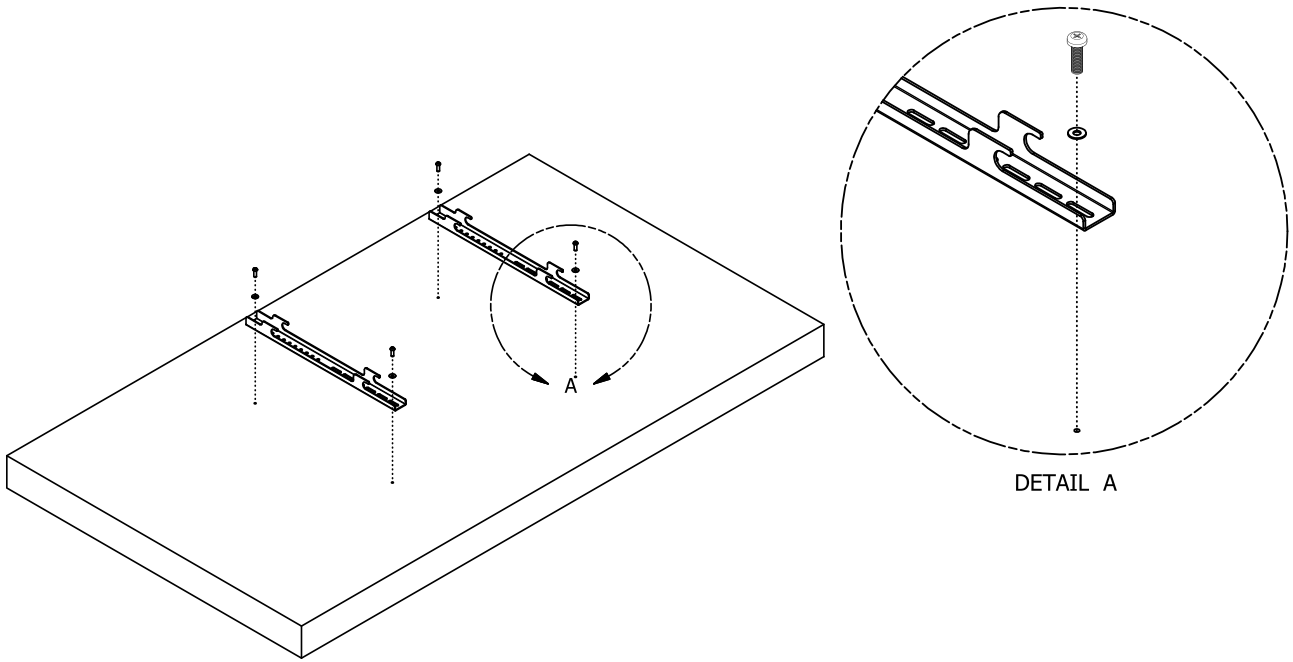
2. Take connecting rod type 1 and place it inside the fixing bracket and connect it using M-A, M-B AND M-G.



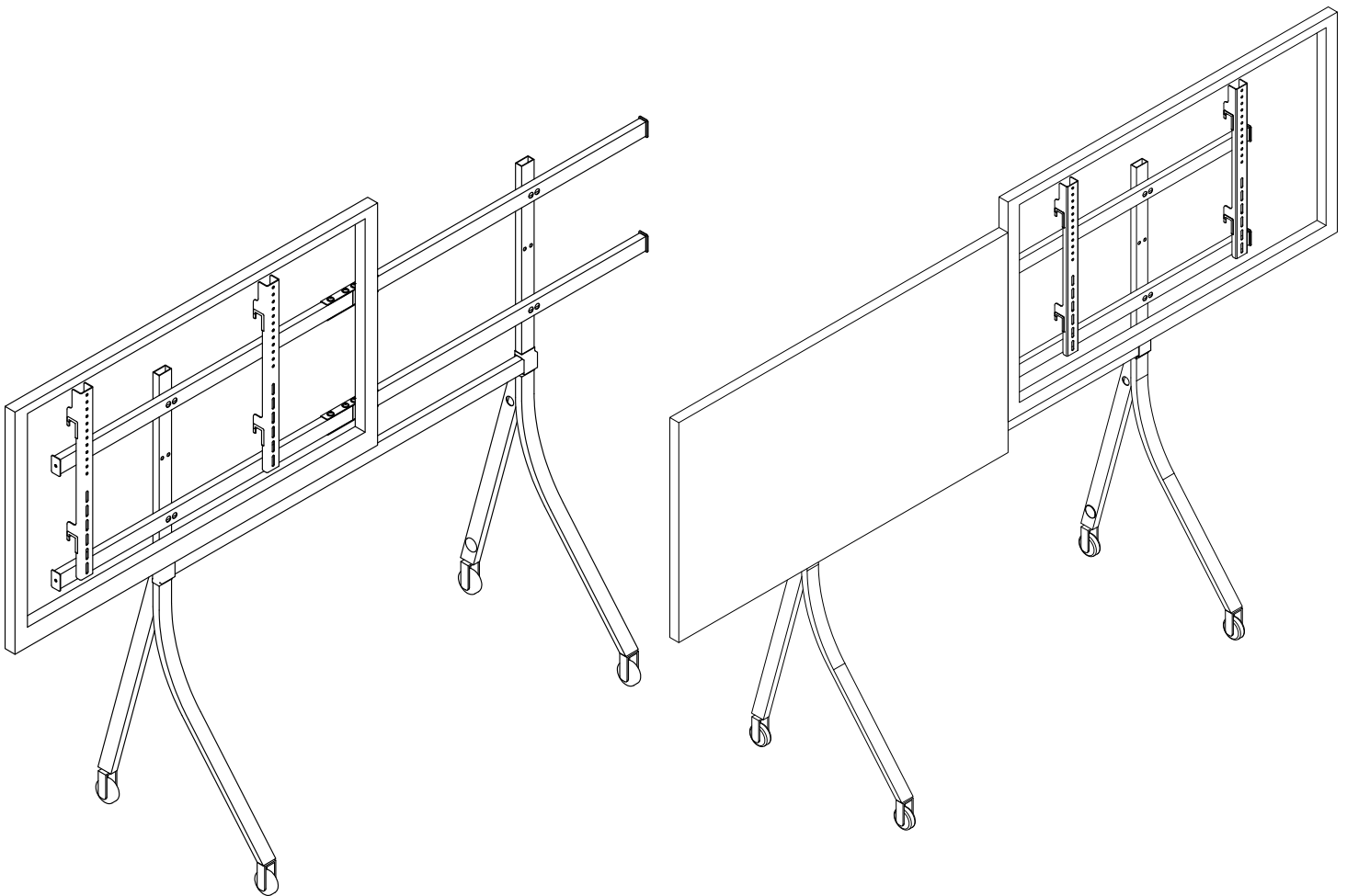
3. Inert the washer and screw on the connecting rod
(Refer M-A, M-B, M-F (Plastic washer & metal washer)
in the check list).



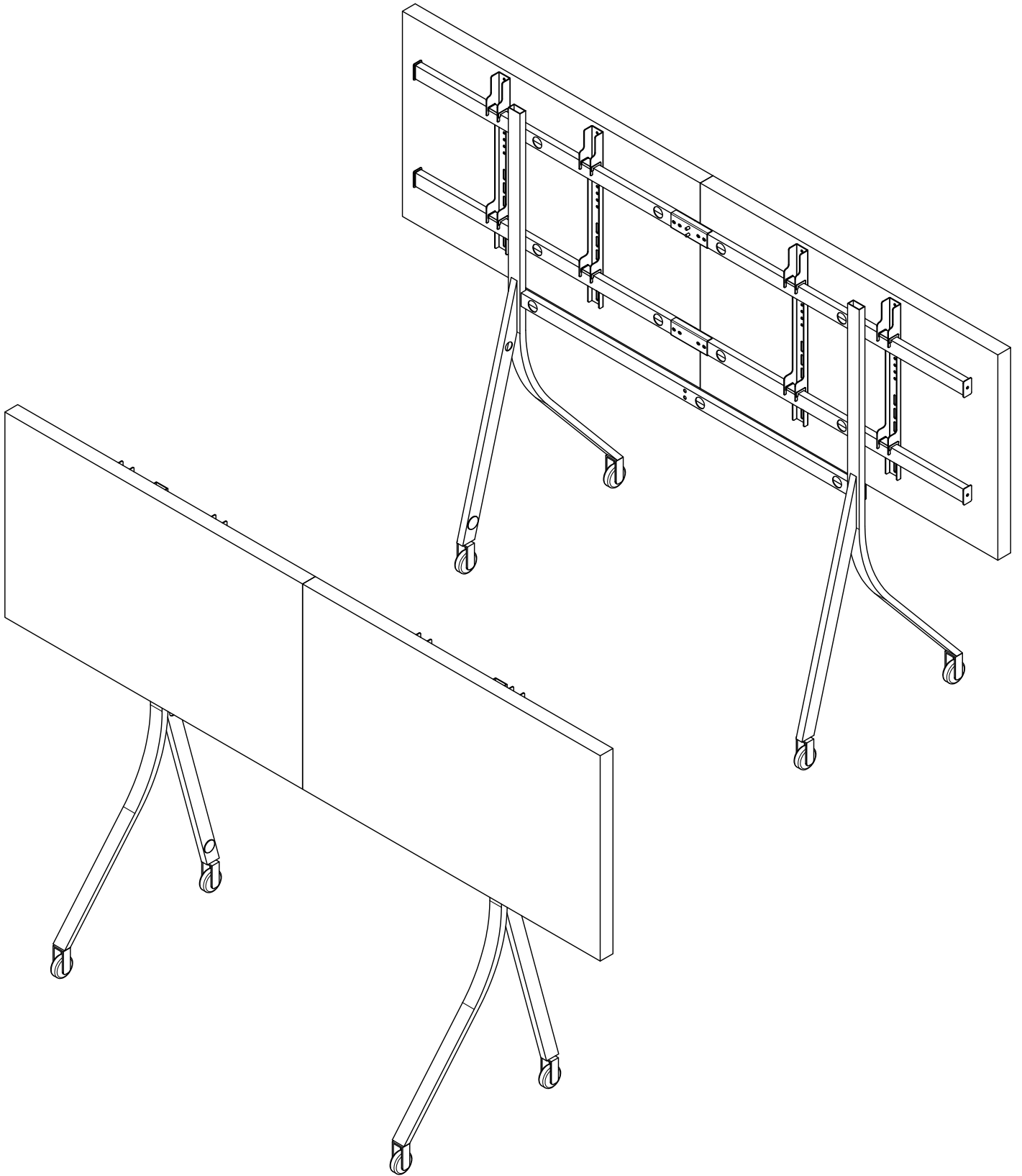
4. Insert the screw cap for all the connecting rod as shown in image.



5. Place the interface bracket on the TV/ display and insert washer and screw
 (Refer the checklist for the suitable screw (M-C, M-D).



6. Use any two interface bracket to fix the first screen as shown in image.
NOTE: Ensure both the connecting rods are fixed to rails correctly.
 Once the first screen hooked securely onto both connecting rod.
 Mount the second screen with other two brackets.



Final View after installing display/TV on the floor stand