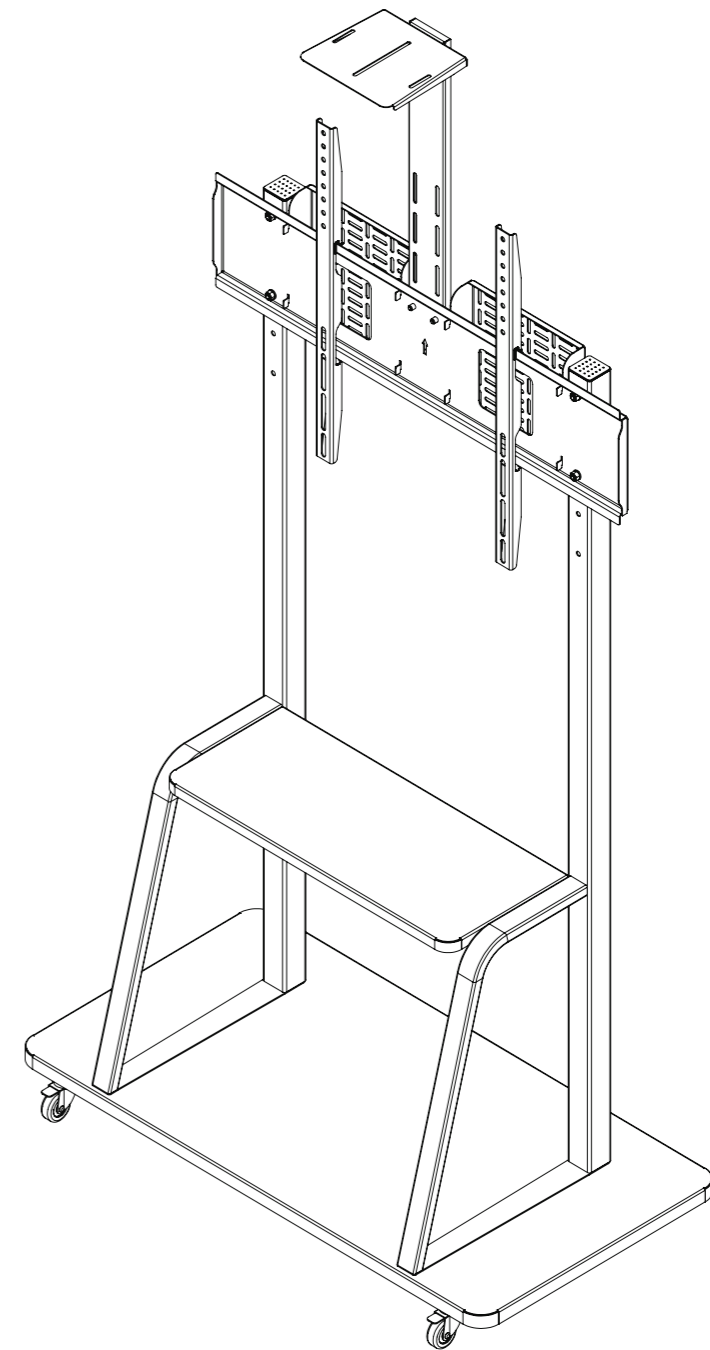


INSTALLATION MANUAL

LGFS-5586-N23 FLOOR MOUNT



Model	Max. Load	Display Sizes	VESA	Product Weight	Shipping Weight
LGFS-5586-N23	165.34 lbs (75 kg)	55" to 86"	200 x 200 to 800 x 600	29 kg	33 kg

A STURDY BASE	B PILLAR-RH	C PILLAR-LH	D MATERIAL SHELF	E MOUNTING BRACKET	OPTIONAL ACCESSORIES J K EQUIPMENT RACK ER-LGFS-5586-N23 CAMERA LEDGE CL-LGFS-5586-N23
F VESA BRACKETS	G ROTATING CASTERS WHEEL	H FIXED CASTERS WHEEL	I FASTENER POUCH M-A M-B M-C M-D M-E		

M-A M8X40mm Qty-6 nos	M-B M8 Washer Qty-18 nos	M-C M6X16mm Qty-4 nos	M-D M6 Washer Qty-8 nos	M-E M8X65mm Qty-4 nos
M-F M8 Nut Qty-4 nos	M-G M8X25mm Qty-4 nos	M-H M6X25MM Qty-4 nos	M-I Plastic bush Qty-4 nos Each	M-J Allen key M4 M5 Qty-2 nos
M-K Fasteners for Optional Accessories Qty-4 nos Each				

Step 1

Hx2
Gx2
Ax1

FIX THE ROTATING CASTERS WHEEL (Gx2) BACKSIDE OF STURDY BASE
FIX THE FIXED CASTERS WHEEL (Hx2) FRONTSIDE OF STURDY BASE

Step 2

M-B X6
M-A X6

FIX THE PILLAR RH (B) AND PILLAR LH (C) TO THE STURDY BASE (A) WITH HARDWARE M-A AND M-B

Step 3

M-C X4
M-D X4

PROVISION GIVEN TO FIX THE MATERIAL SHELF (D) BETWEEN PILLAR RH AND PILLAR LH WITH HARDWARE M-C AND M-D.

Step 4

M-B X8
M-E X4
M-F X4

FIX THE MOUNTING BRACKET (E) TO THE PILLAR WITH HARDWARE M-E, M-B AND M-F. FIXING OF THE MOUNTING BRACKET TO THE PILLAR CAN ADJUSTABLE IN 3 STEPS ACCORDING TO DISPLAY SIZE AND PROVISION IS GIVEN WITH DIFFERENT PITCH.

Step 5

M-Gx4
TV
VESA BRACKET
M-Hx4
M-Bx4

FIX THE VESA BRACKETS (F) TO THE DISPLAY WITH HARDWARE M-G, M-H AND M-B.

Step 6

PROVISION FOR CABLE ENTRY IS GIVEN

Step 7

M-K X2
M-K X2

FIX THE CAMERA LEDGE USING HARDWARE M-K. (OPTIONAL ACCESSORIES)

Step 8

SLOTS ARE GIVEN IN MOUNTING BRACKET TO FIX THE EQUIPMENT RACK. (OPTIONAL ACCESSORIES)