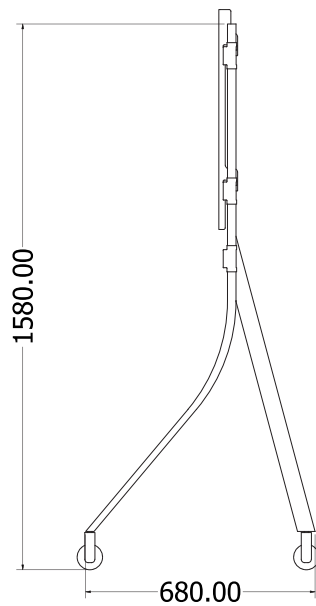
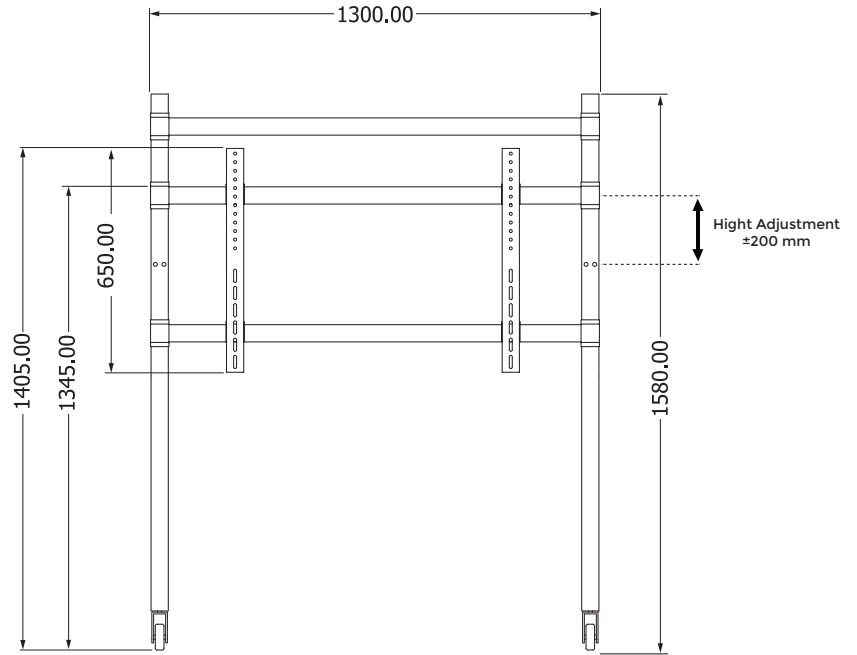


DISPLAY MOUNT BRACKETS

LOGIC

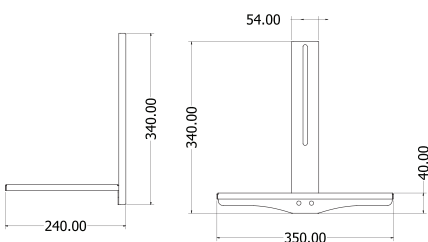
FLOOR MOUNT TROLLEY : LGFS-6598

EQUIPMENT RACK : ER-LGFS-6598 (OPTIONAL ACCESSORIES)

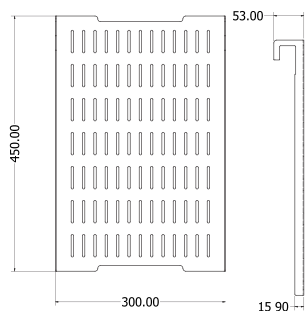


Optional Accessories :

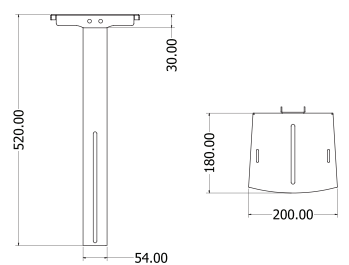
Equipment Tray : ET-LGFS-6598



Equipment Rack : ER-LGFS-6598



Camera Ledge : CL-LGFS-6598



*Dimensions in mm

FLOOR MOUNT TROLLEY : LGFS-6598

EQUIPMENT RACK : ER-LGFS-6598 (OPTIONAL ACCESSORIES)

Features

- Universal in design to fit 65" to 98" displays
- The Floor mount can hold weight up to 120 kg
- Convenient curved design to withstand weight without shaking
- Sleek, sturdy and seamless performance for years
- Quick and easy installation
- VESA compliant
- Colours available: LGFS-6598B (Black) & LGFS-6598W (White)

Specification

Model Number	LGFS-6598
Max. Load	265 lbs (120 kg)
VESA	400 x 400 to 900 x 600
Display Sizes	65" to 98"
Material	Steel
Product Weight	24 kg
Shipping Weight	30 kg
Shipping Dimension (L x W x H)	1760 x 740 x 160

Optional Accessories Specification

Model Number	ER-LGFS-6598 (Equipment Rack)	ET-LGFS-6598 (Equipment Tray)	CL-LGFS-6598 (Camera Ledge)
Max. Load	22 lbs (10 kg)	15.4 lbs (7 kg)	6.6 lbs (3 kg)
Height Adjustment	No	Yes	Yes
Product Weight	1.5 kg	1.5 kg	1.1 kg

*Dimensions in mm