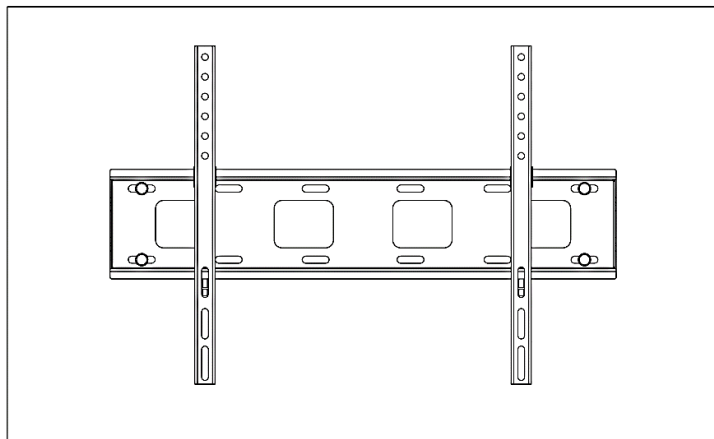


4. Place the TV/ display on the wall mount

5. Adjust the angle and lock the mount



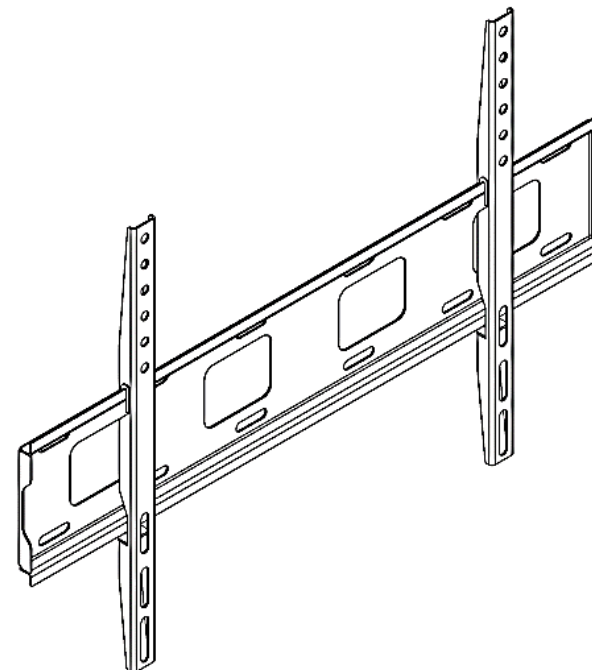
View after installation

www.logicav.in

LOGIC

INSTALLATION MANUAL

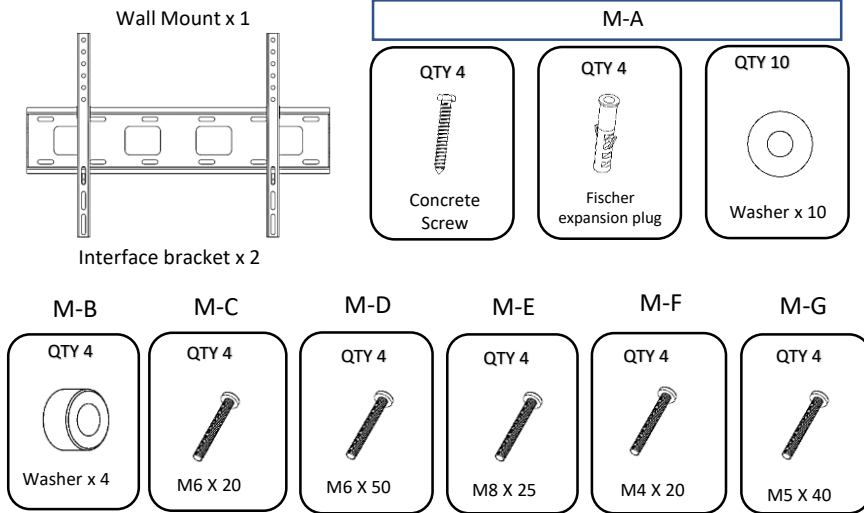
**FIXED WALL MOUNT
LGWM 3265F**



MODEL	SERIES	VESA	DISPLAY SIZE	MAX LOAD
LGWM-3265F	FIXED WALL MOUNT	150X150 to 600X400	32" to 65"	99 lbs (45Kg)

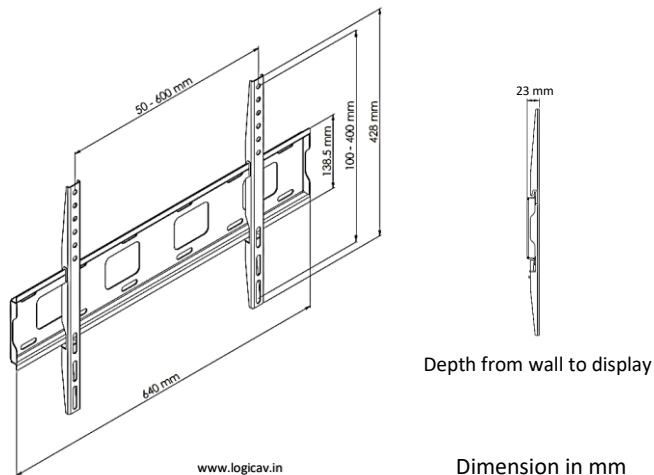
www.logicav.in

Checklist



IMPORTANT: Prior to installation, ensure that you have received all the parts as per the checklist

1. Product Dimension



2. Installation

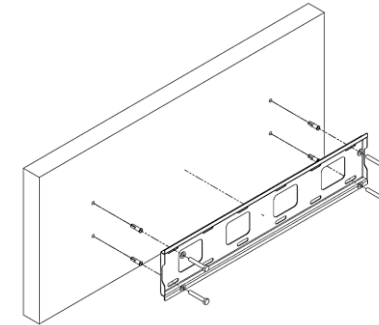
Instructions for fixing wall mount:

ATTENTION:

Drilling the wall for the wall mount should be executed by a craftsman only. Exercise care to prevent any scar or damage to the wall.

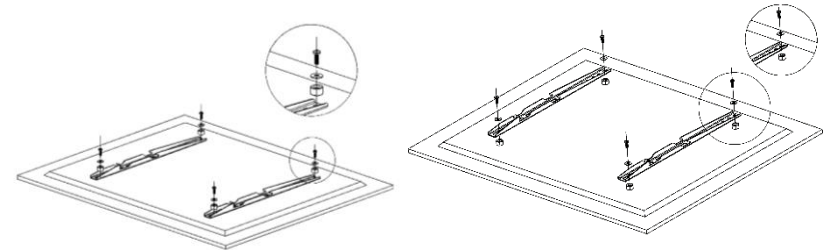
CAUTION :

Wear safety glasses while operating power equipment. Failure to comply may result in eye injury.



1. Place the wall unit on the wall and make marks on the wall.

Note: While marking make sure the mount is placed in a straight line using the surface leveler. Drill the wall and insert the concrete anchor in the holes & place the mount on the wall and insert concrete screws. (Refer A1, A2, A3, B1 in the checklist)



2. Place the interface bracket on the TV/ display and insert the washer and screw (Refer the checklist for the suitable screw and washer)

3. For a curved back or obstruction in display or TV kindly follow the above process