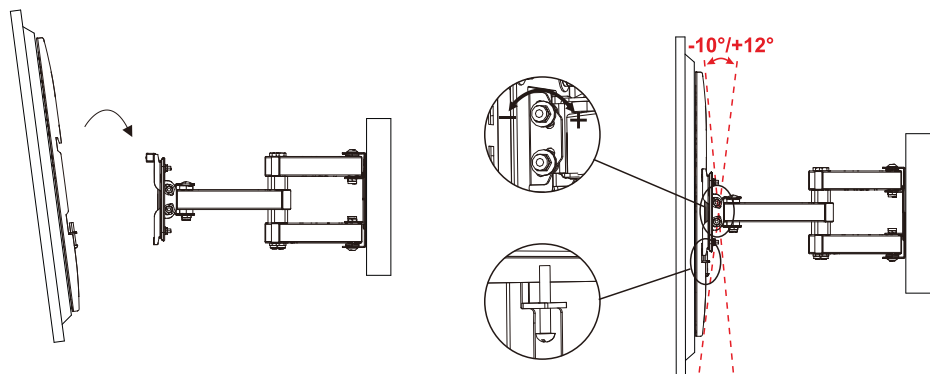


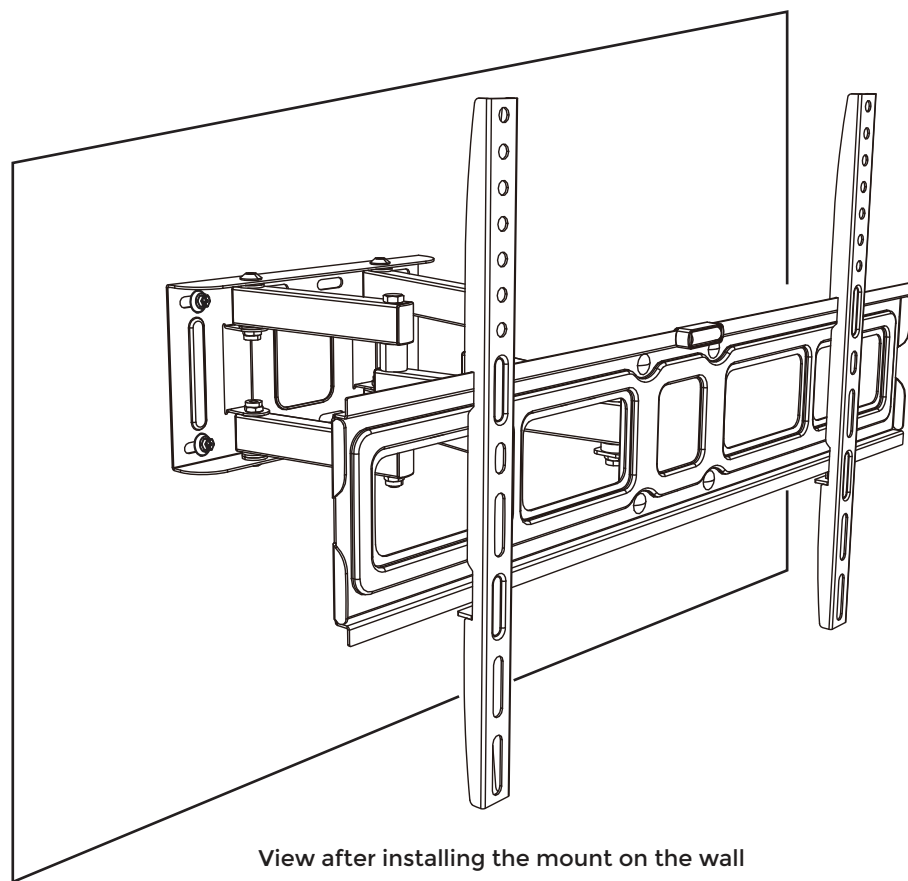
INSTALLATION MANUAL

SWIVEL WALL MOUNT

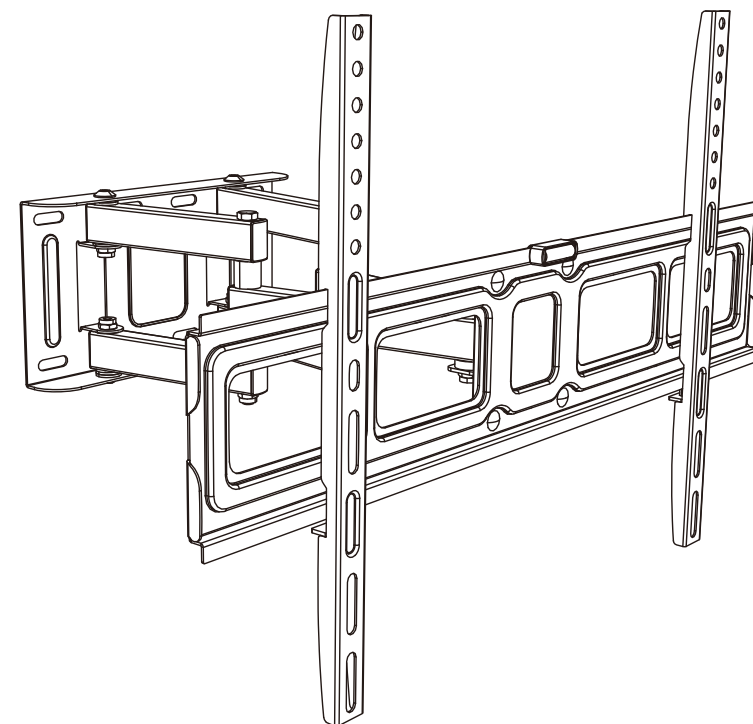


4. Place the TV/ display on the wall mount

5. Adjust the angle and lock the mount

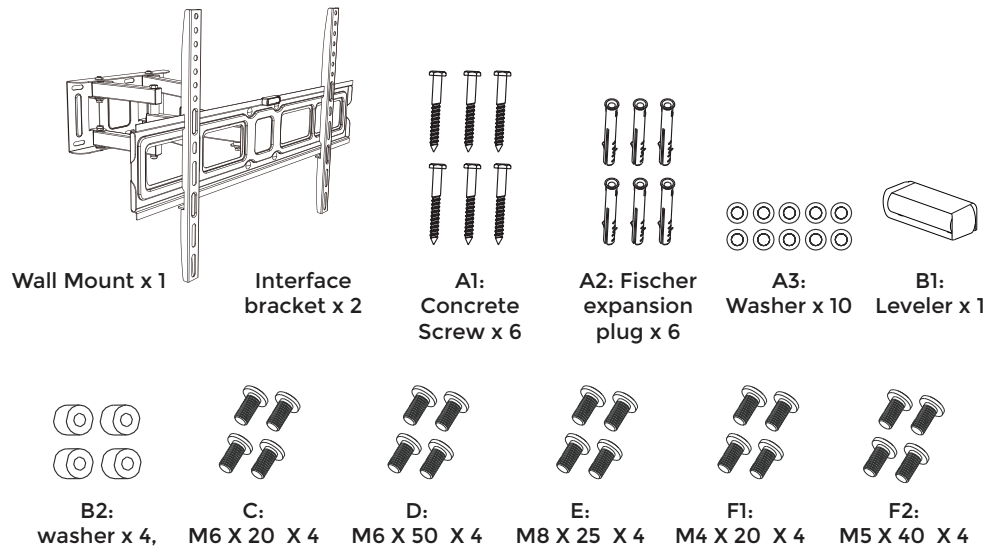


View after installing the mount on the wall



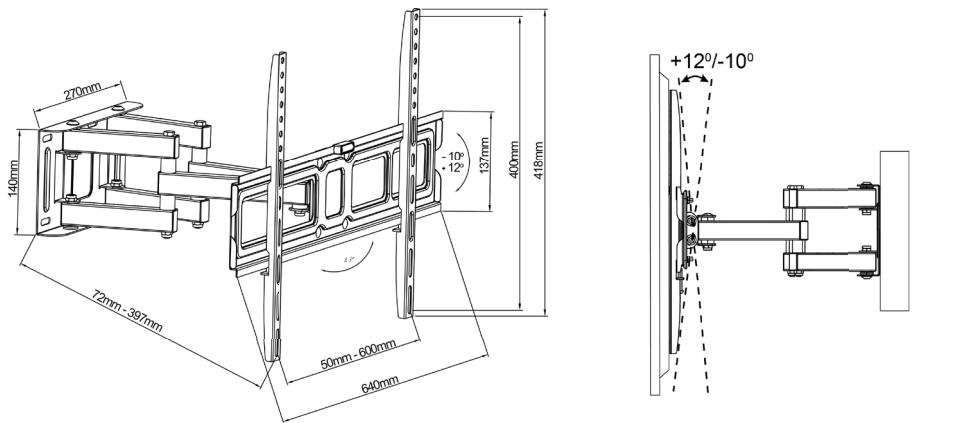
MODEL	SERIES	VESA	DISPLAY SIZE	MAX LOAD
LGWM-3265SW	SWIVEL WALL MOUNT	100x100 to 600x400	32" to 65"	88 lbs (40 kg)

Checklist



IMPORTANT : Prior to installation, ensure that you have received all the parts as per the checklist

1. Product Dimension

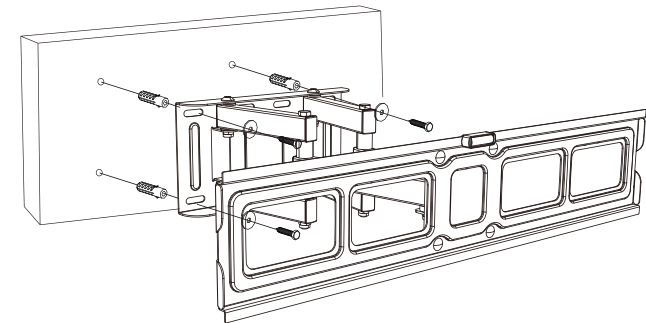


2. Installation

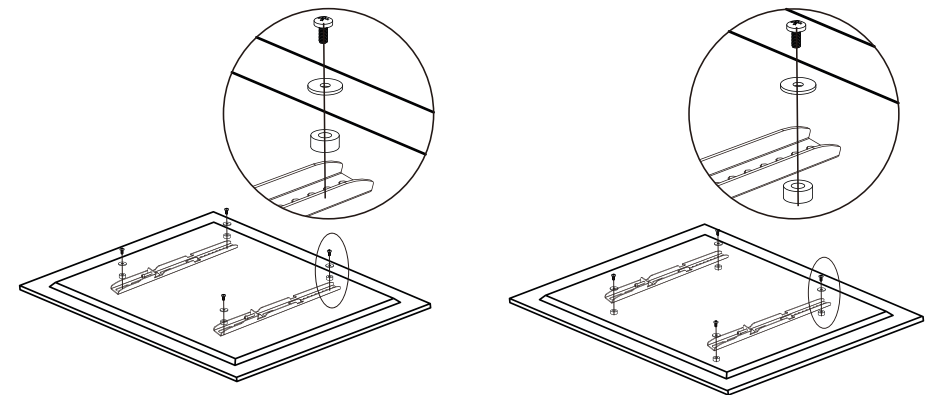
Instructions for fixing wall mount:

ATTENTION: Drilling the wall for the wall mount should be executed by a craftsman only. Exercise care to prevent any scar or damage to the wall.

CAUTION : Wear safety glasses while operating power equipment. Failure to comply may result in eye injury



- Place the wall unit on the wall and make marks on the wall.
Note: While marking make sure the mount is placed in a straight line using the surface leveler Drill the wall and insert the concrete anchor in the holes & place the mount on the wall and insert concrete screws. (Refer A1, A2, A3, B1 in the checklist)



- Place the interface bracket on the TV/ display and insert the washer and screw (Refer the checklist for the suitable screw and washer)

- For a curved back or obstruction in display or TV kindly follow the above process