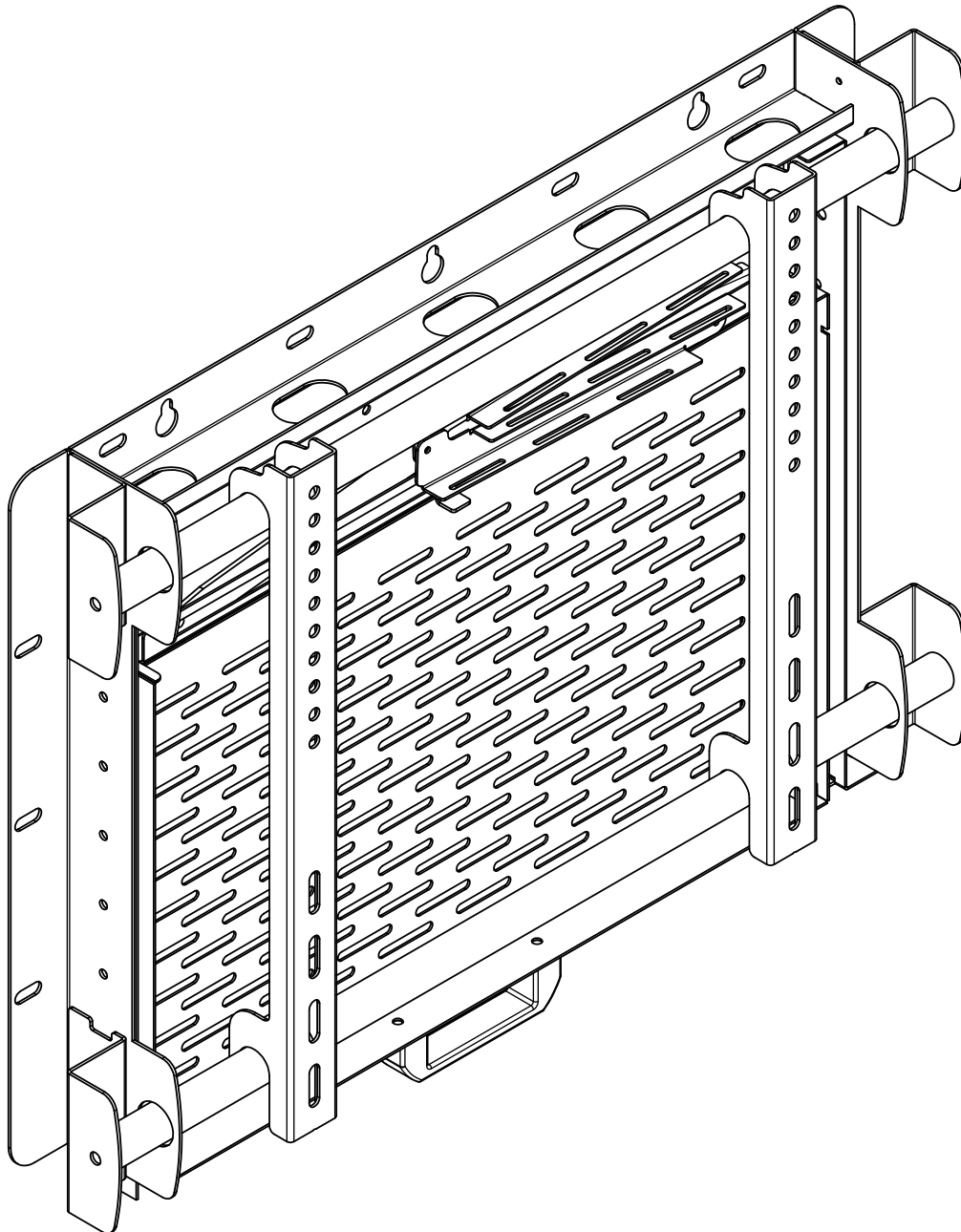


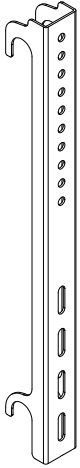
INSTALLATION MANUAL

FIXED WALL MOUNT BRACKET - DOWN SLIDING TRAY

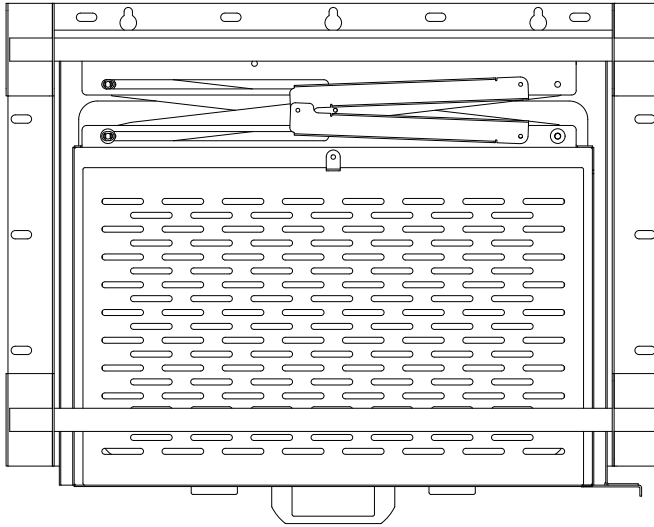


MODEL	SERIES	VESA	DISPLAY SIZE	MAX LOAD
LGWM-4986FDT-N22	FIXED WALL MOUNT BRACKET	100x100 to 600x400	49" to 86"	176.4 lbs (80 kg)

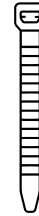
Checklist



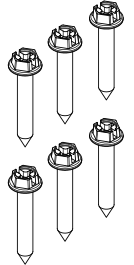
Interface bracket x 2



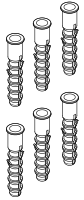
Wall mount x 1



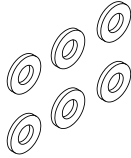
Tie x 4



W-A: Concrete Screw x 6



W-B: Fischer expansion plug x 6



W-C: Washer x 6



M-A: M8 X 25 X 4



M-B: Plastic washer x 4
Metal washer x 4



M-C: M6 X 25 X 4



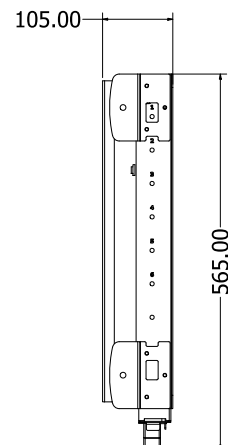
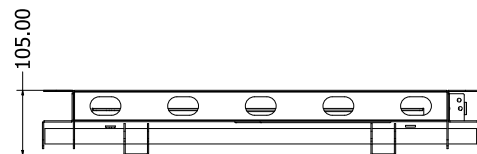
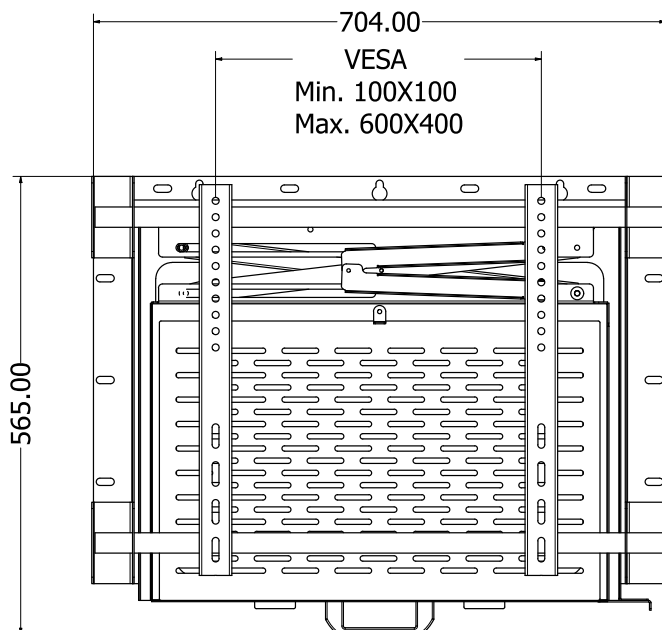
M-D: Plastic x 4
metal x 4
washer

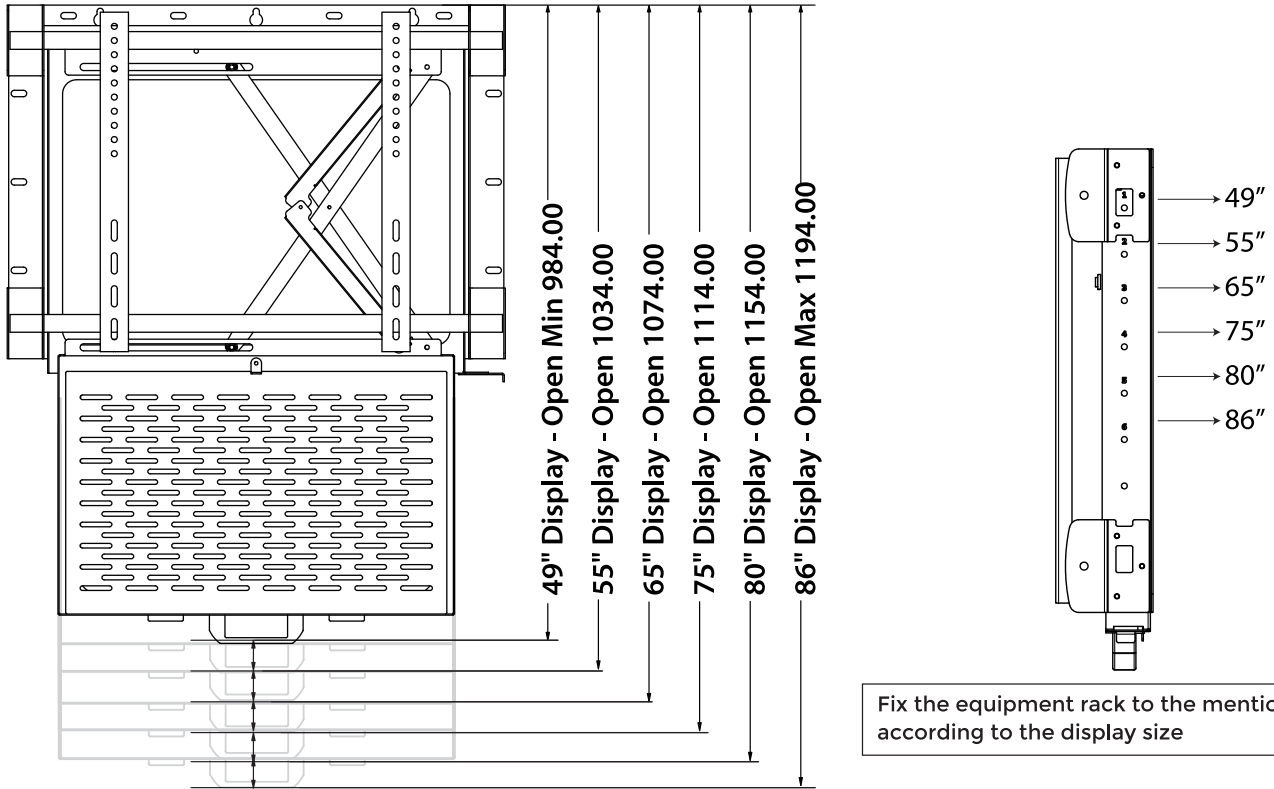


M-E: Allen key
M4 x 1

IMPORTANT : Ensure that you have received all parts according to the checklist prior to installation.

1. Product Dimension



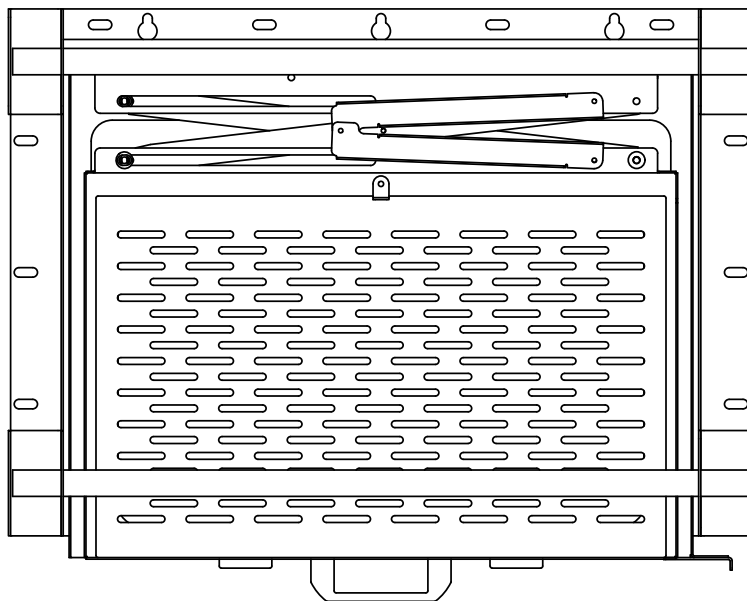


2. Installation

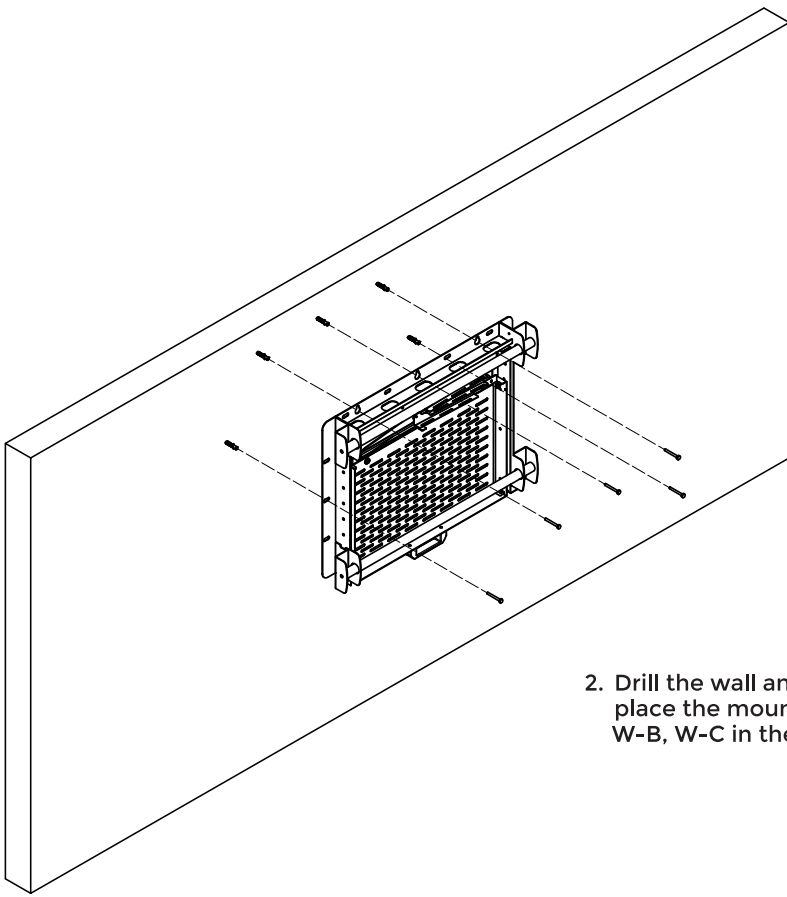
Choose below method for fixing wall mount.

ATTENTION: Drilling the wall for the wall mount should be executed by a craftsman only. Exercise care to prevent any scar or damage to the wall.

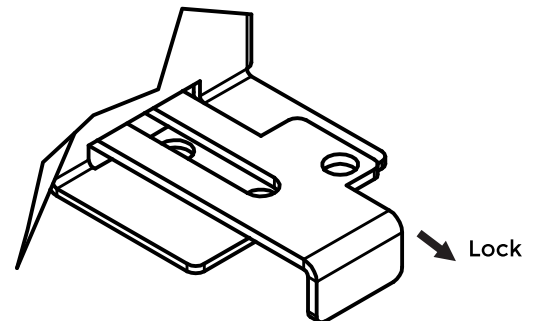
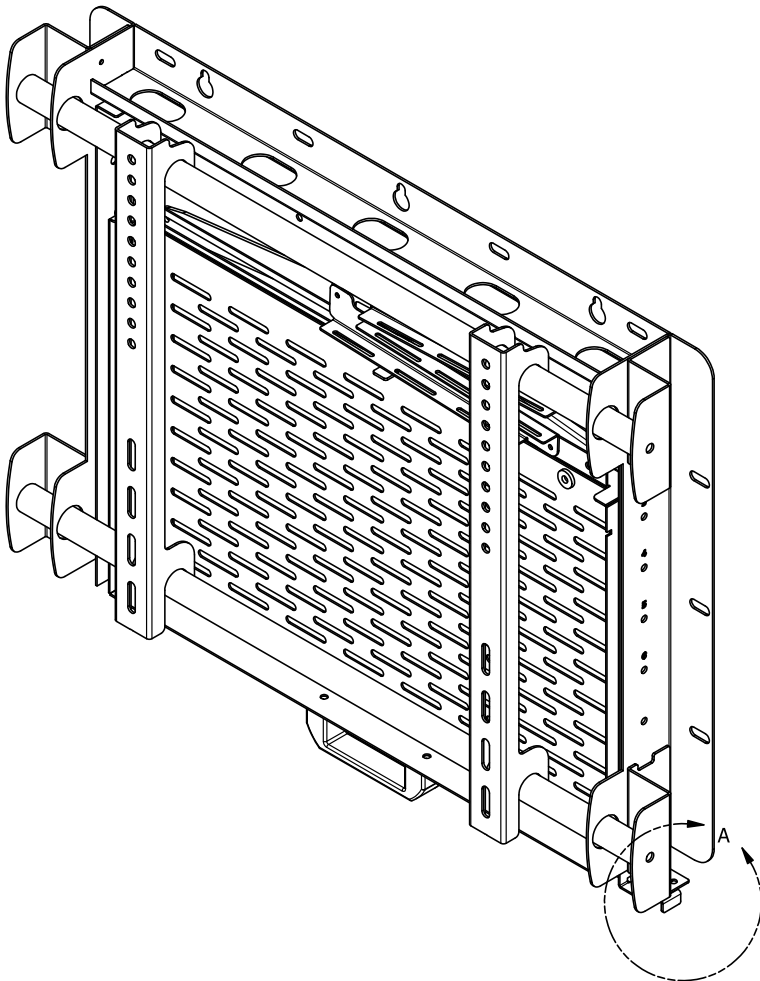
CAUTION : Wear safety glasses while operating power equipment. Failure to comply may result in eye injury



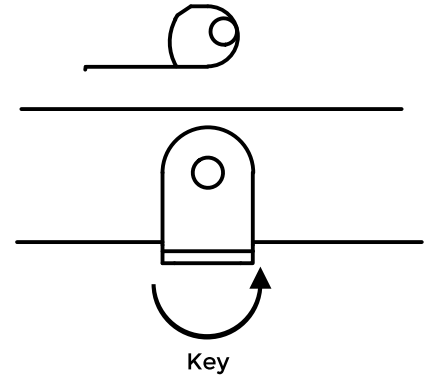
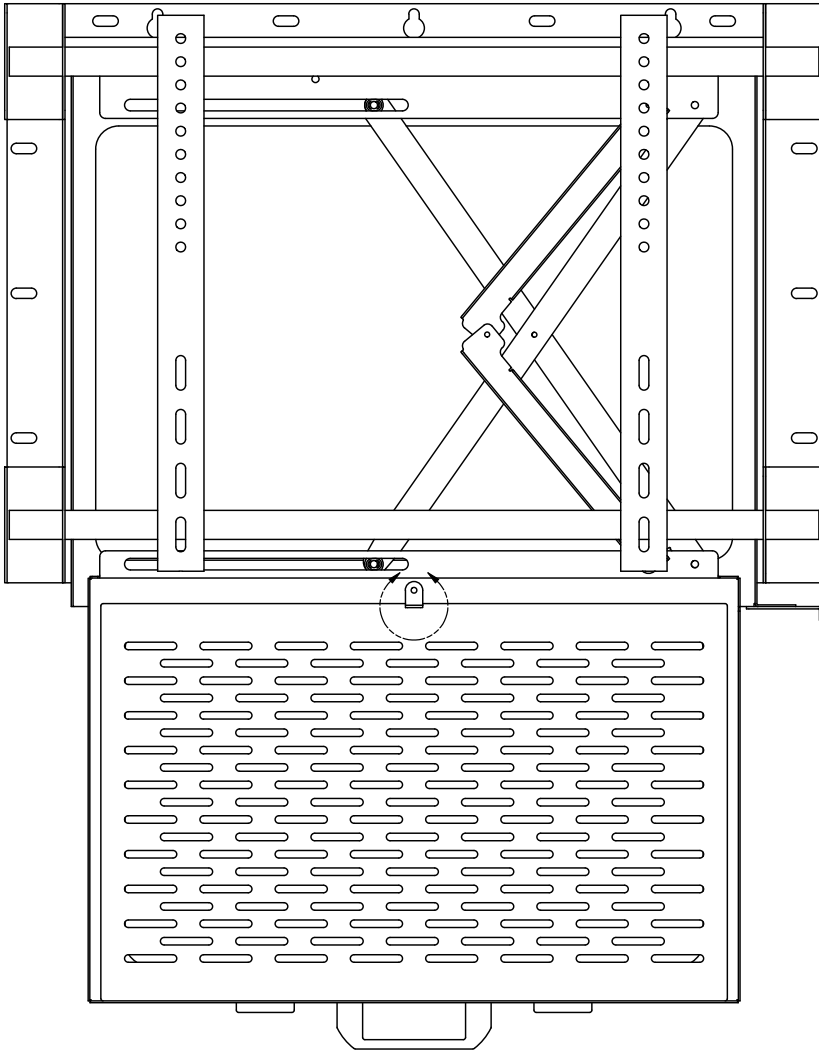
1. Place the unit on the wall and make marks on the wall.
 Note: While marking make sure the mount is placed in a straight line using the surface leveler



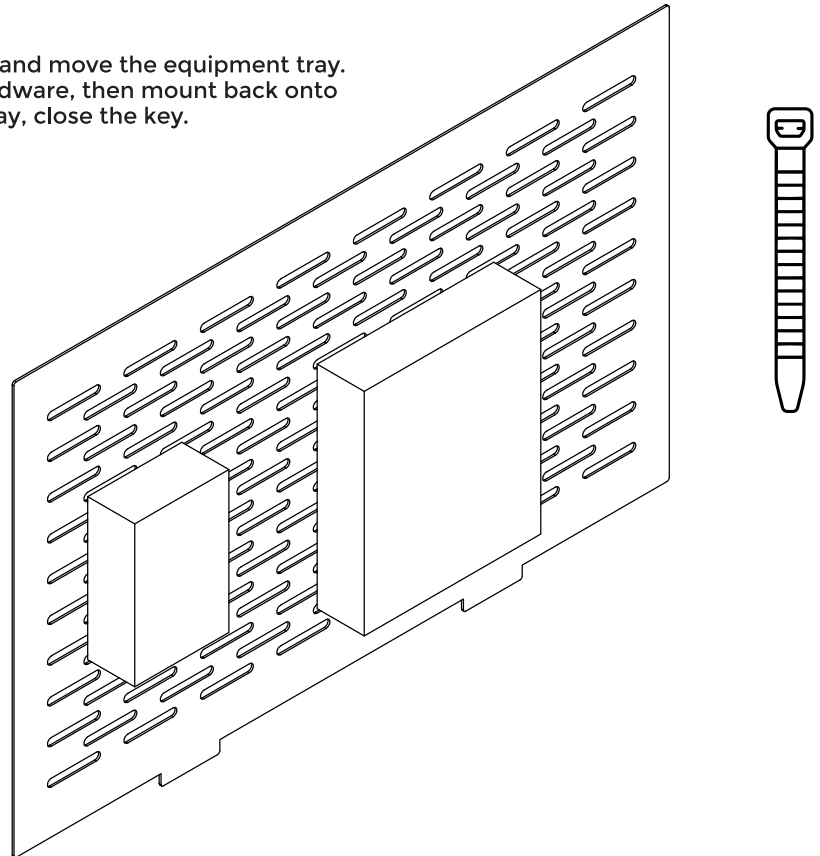
2. Drill the wall and insert the Fischer expansion plugs into the holes place the mount on the wall and insert concrete screw. (Refer W-A, W-B, W-C in the checklist)

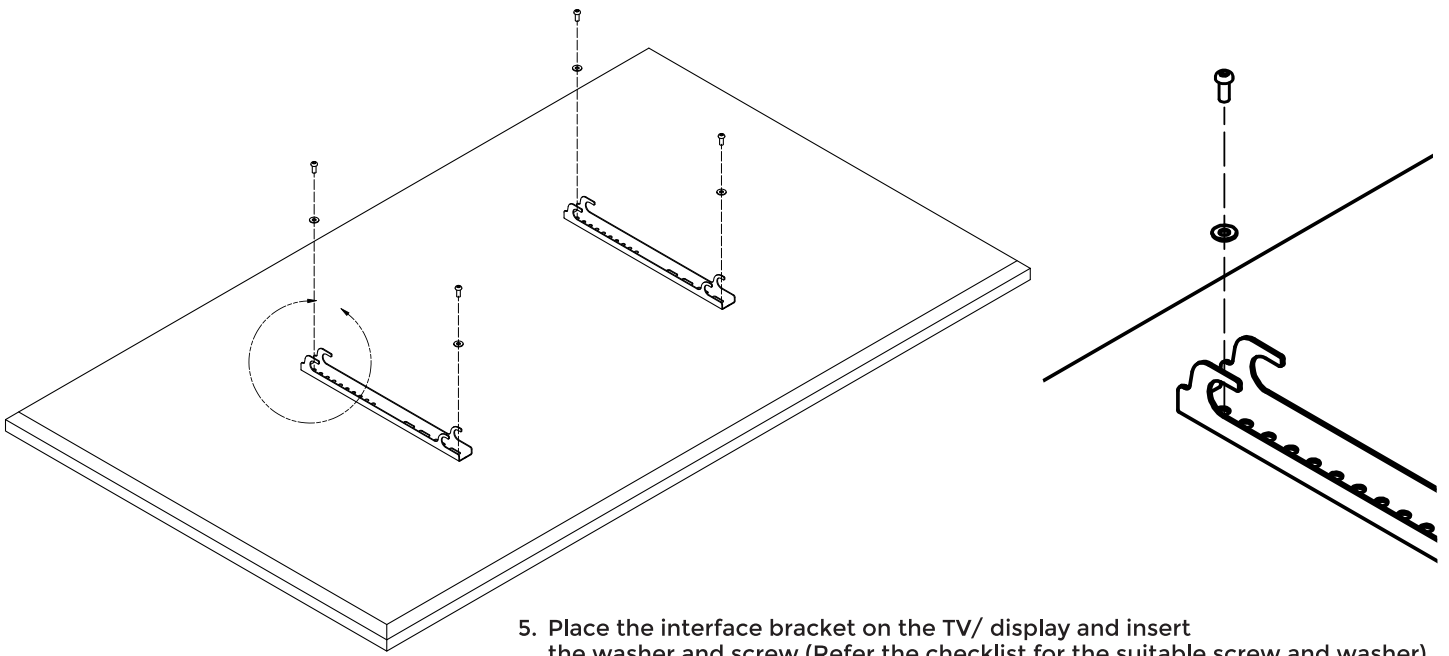


3. release the lock on the storage tray by lifting it up.

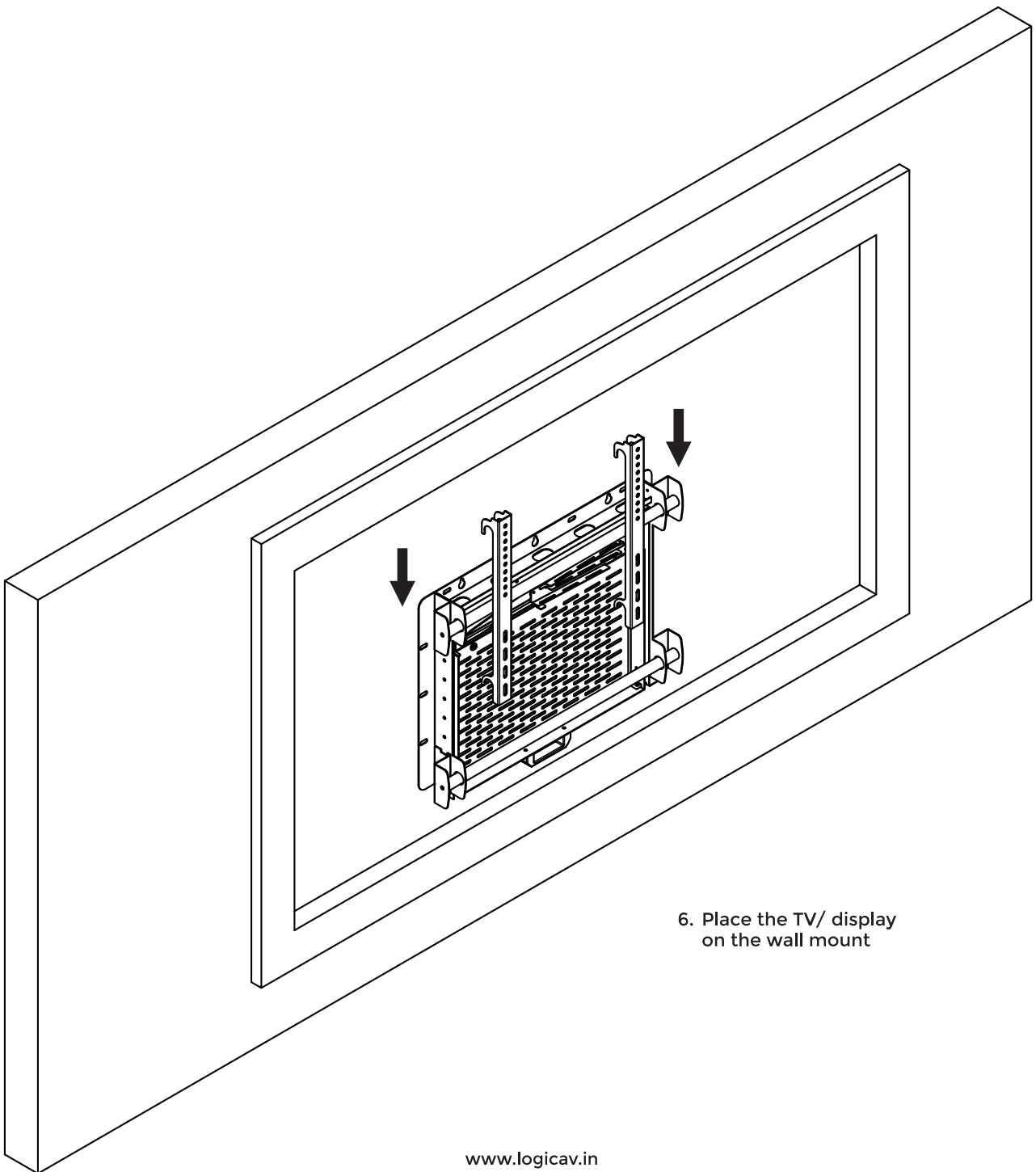


4. Open the key and move the equipment tray. Fix the AV hardware, then mount back onto the storage tray, close the key.

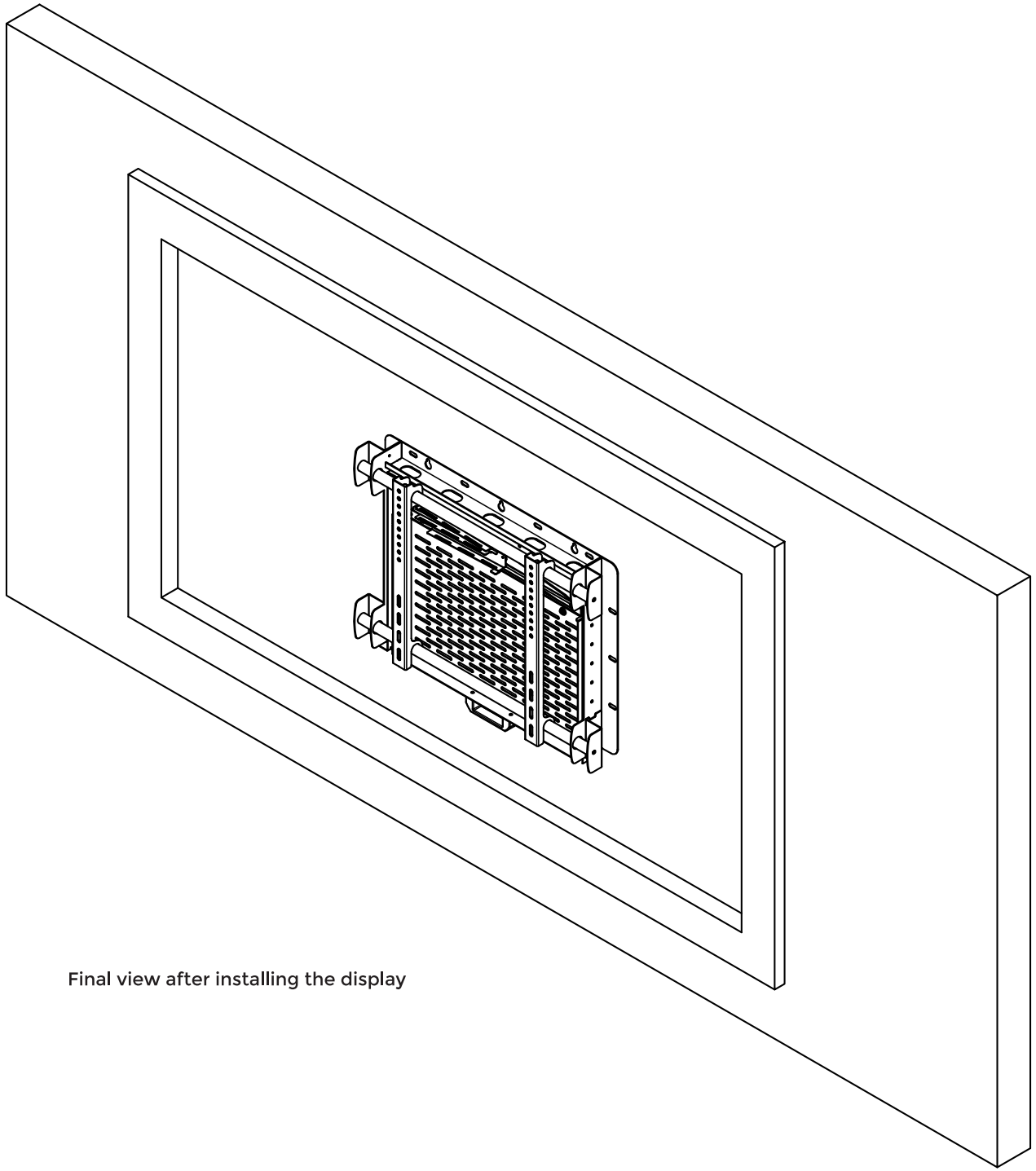




5. Place the interface bracket on the TV/ display and insert the washer and screw (Refer the checklist for the suitable screw and washer)



6. Place the TV/ display on the wall mount



Final view after installing the display