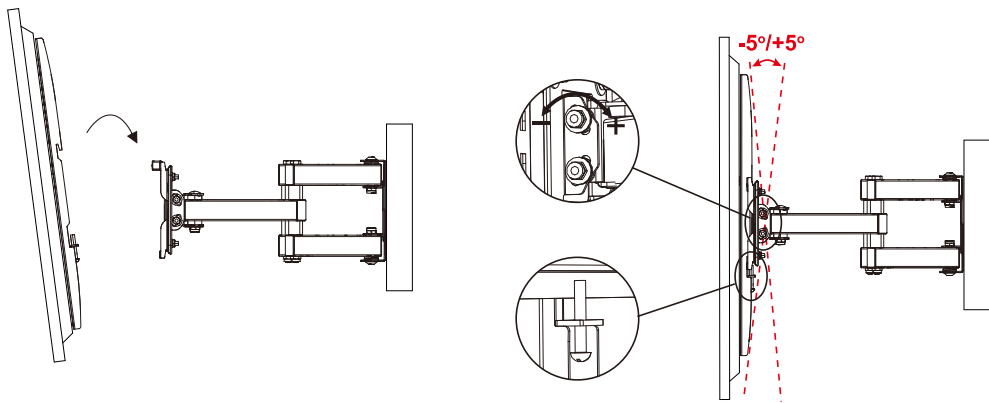
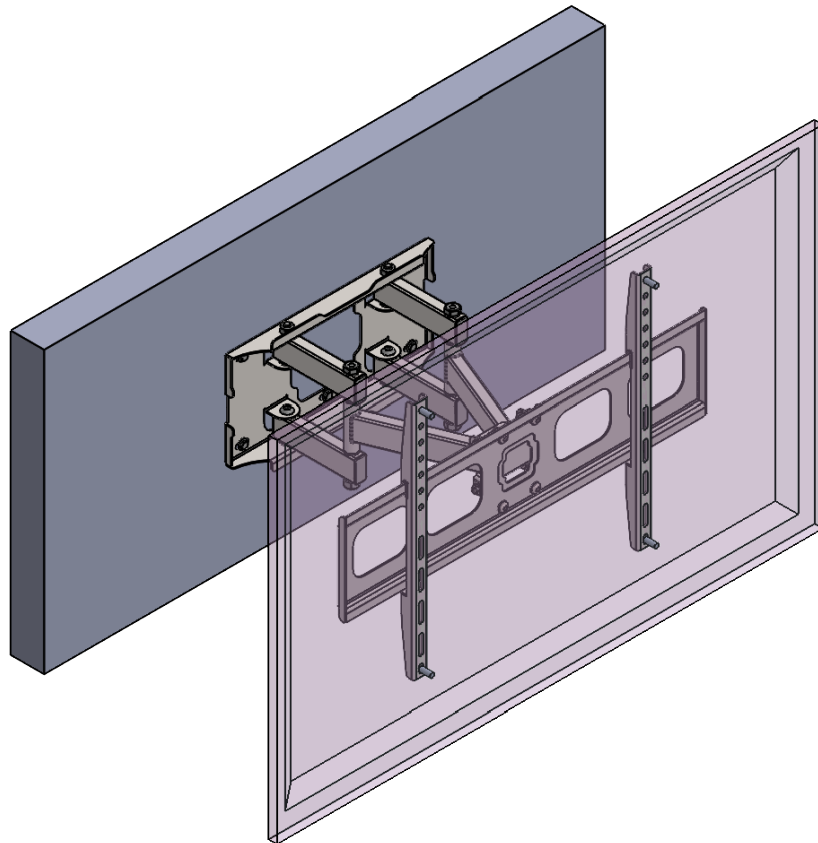


INSTALLATION MANUAL SWIVEL WALL MOUNT

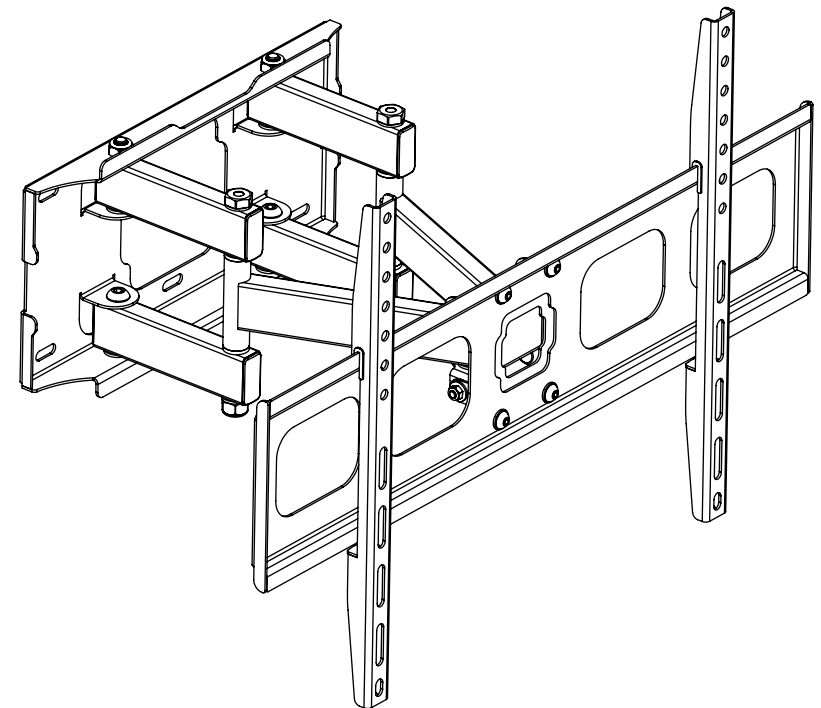


4. Place the TV/ display
on the wall mount

5. Adjust the angle and
lock the mount



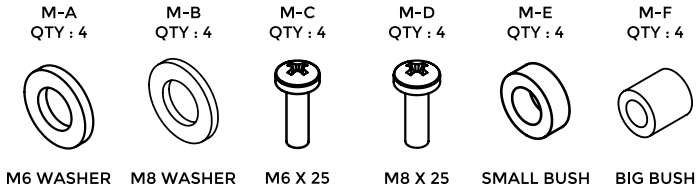
View after installing the mount on the wall



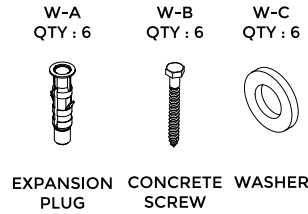
MODEL	SERIES	VESA	DISPLAY SIZE	MAX LOAD
LGWM-5586SW	SWIVEL MOUNT	100x100 to 600x400	55" to 86"	110 lbs (50 kg)

Hardware

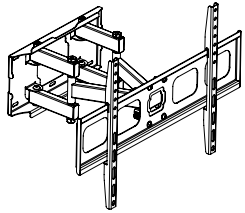
M
S
E
R
I
E
S



W
S
E
R
I
E
S



Checklist



Swivel wall mount bracket X1
Interface bracket X2



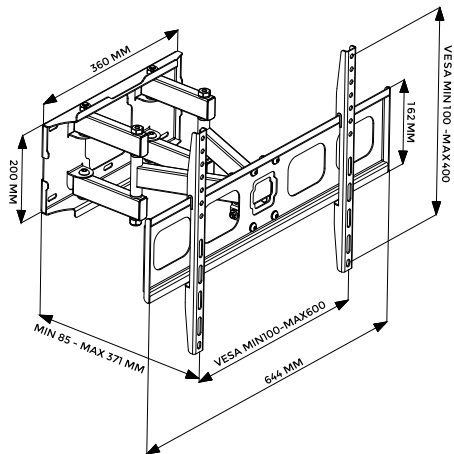
W Series Pouch



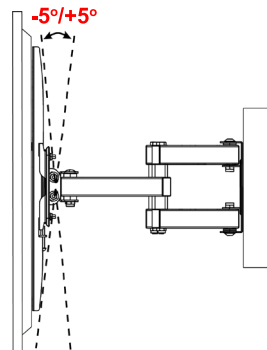
M Series Pouch

IMPORTANT : Prior to installation, ensure that you have received all the parts as per the checklist

1. Product Dimension



www.logicav.in



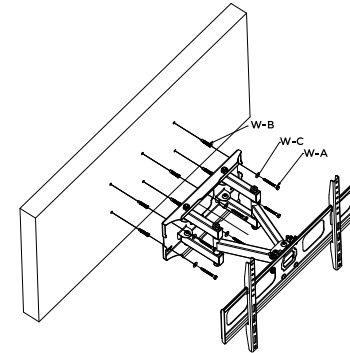
Dimension in mm

2. Installation

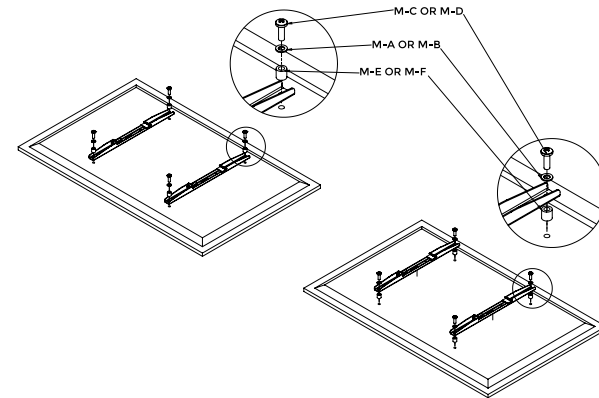
Instructions for fixing wall mount:

ATTENTION: Drilling the wall for the wall mount should be executed by a craftsman only. Exercise care to prevent any scar or damage to the wall.

CAUTION : Wear safety glasses while operating power equipment. Failure to comply may result in eye injury



- Place the wall unit on the wall and make marks on the wall.
Note: While marking make sure the mount is placed in a straight line using the surface leveler Drill the wall and insert the concrete anchor in the holes & place the mount on the wall and insert concrete screws. (Refer W-A, W-B, and W-C, in the checklist)



- Place the interface bracket on the TV/ display and insert the washer and screw (Refer the checklist for the suitable screw and washer)
- For a curved back or obstruction in display or TV kindly follow the above process

www.logicav.in