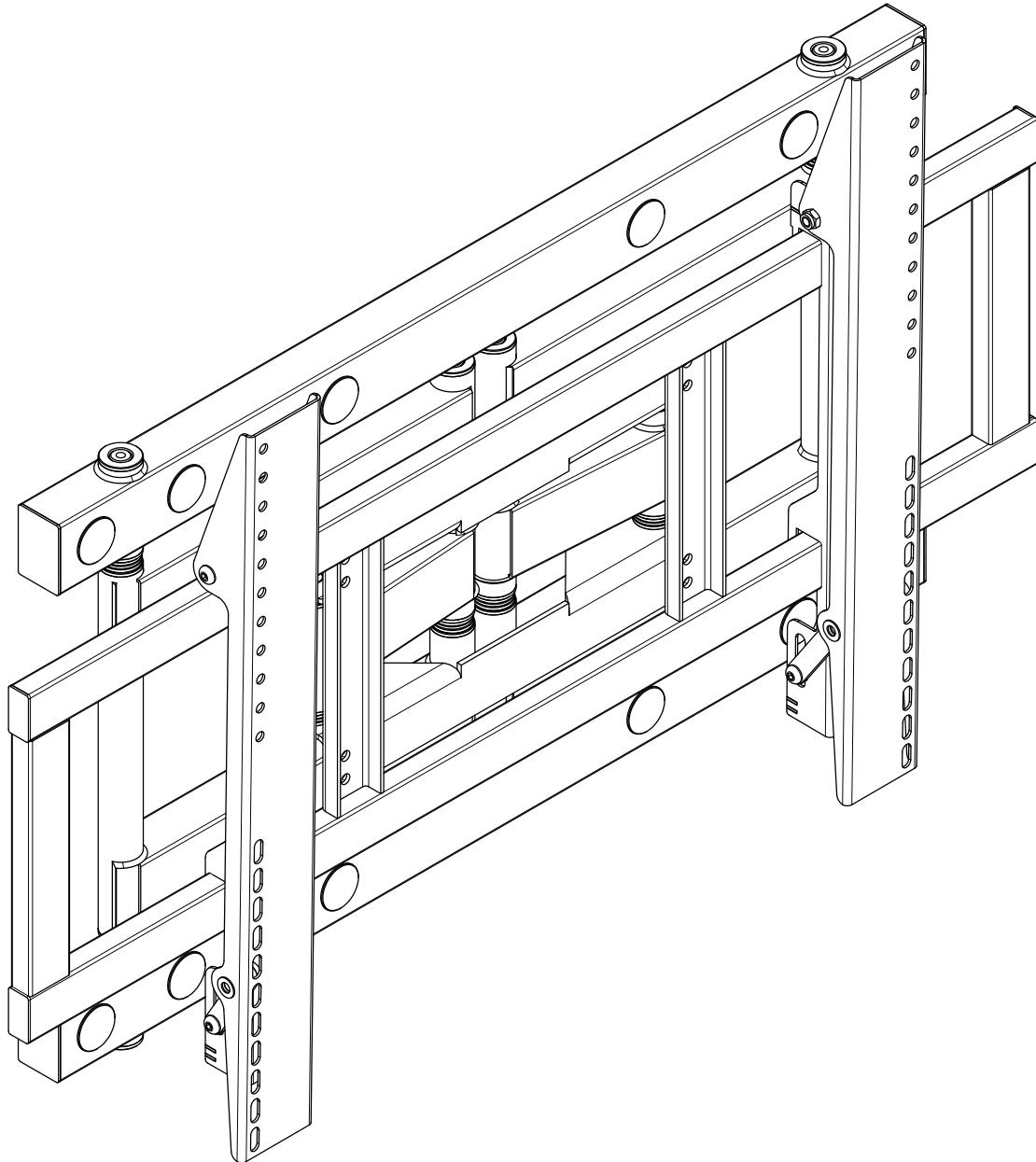


INSTALLATION MANUAL

SWIVEL WALL MOUNT

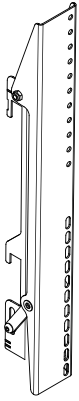


MODEL	SERIES	VESA	DISPLAY SIZE	MAX LOAD
LGWM-5598SW	SWIVEL WALL MOUNT	100x100 to 800x600	55" to 98"	287 lbs (130 kg)

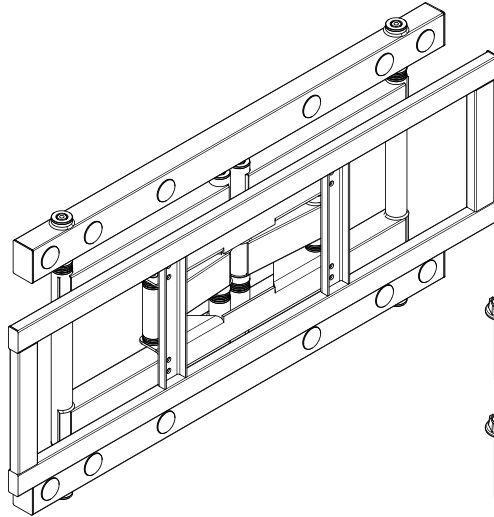
Checklist



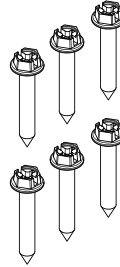
Right interface bracket x 1



Left interface bracket x 1



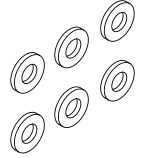
Wall mount x 1



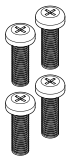
W-A: Concrete Screw x 6



W-B: Fischer expansion plug x 6



W-C: Washer x 6



M-A: M8 X 25 X 4



M-B: plastic washer x 4



M-C: Metal washer x 4



M-D: M6 X 25 X 4



M-E: Plastic x 4 metal x 4 washer



M-F: M5 X 25 X 4



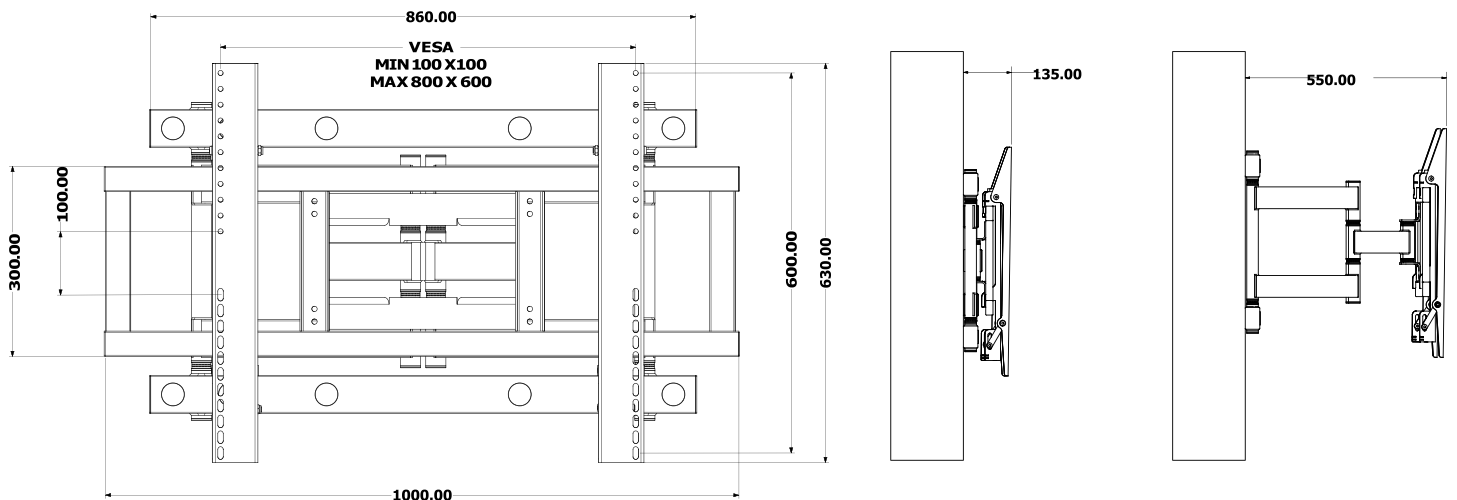
M-G: Plastic x 4 metal x 4 washer



M-H: Allen key x 1

IMPORTANT : Ensure that you have received all parts according to the checklist prior to installation.

1. Product Dimension



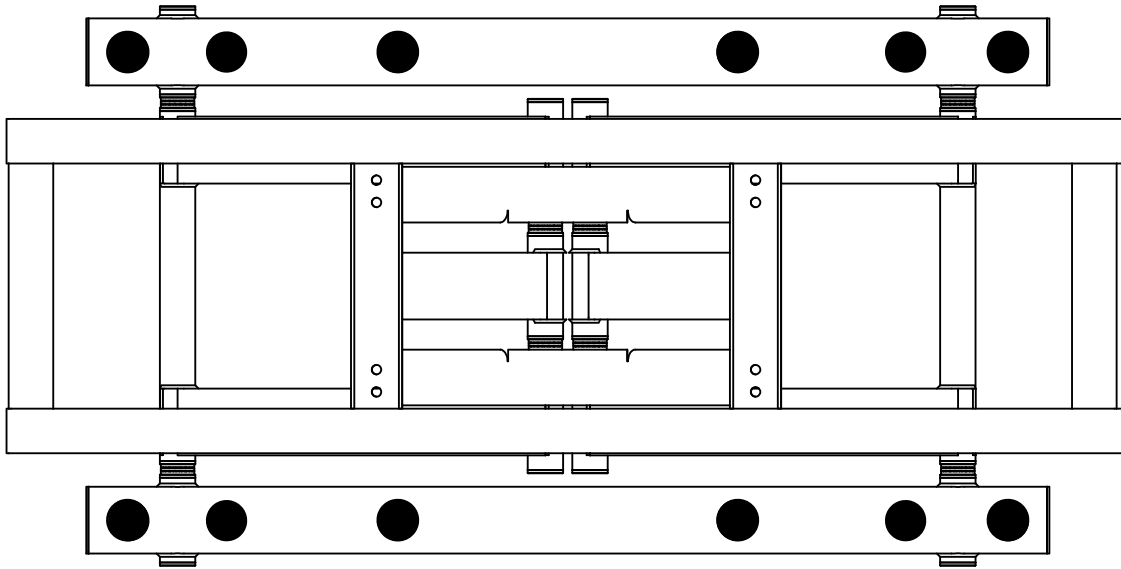
Dimension in mm

2. Installation

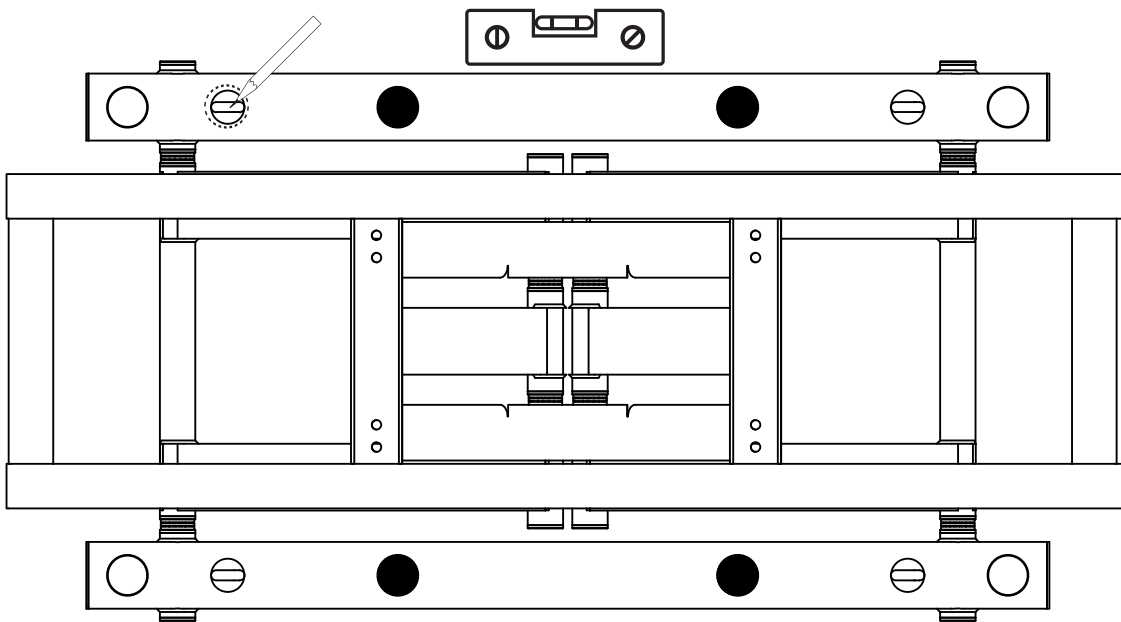
Choose below method for fixing wall mount.

ATTENTION: Drilling the wall for the wall mount should be executed by a craftsman only
Exercise care to prevent any scar or damage to the wall.

CAUTION : Wear safety glasses while operating power equipment.
Failure to comply may result in eye injury

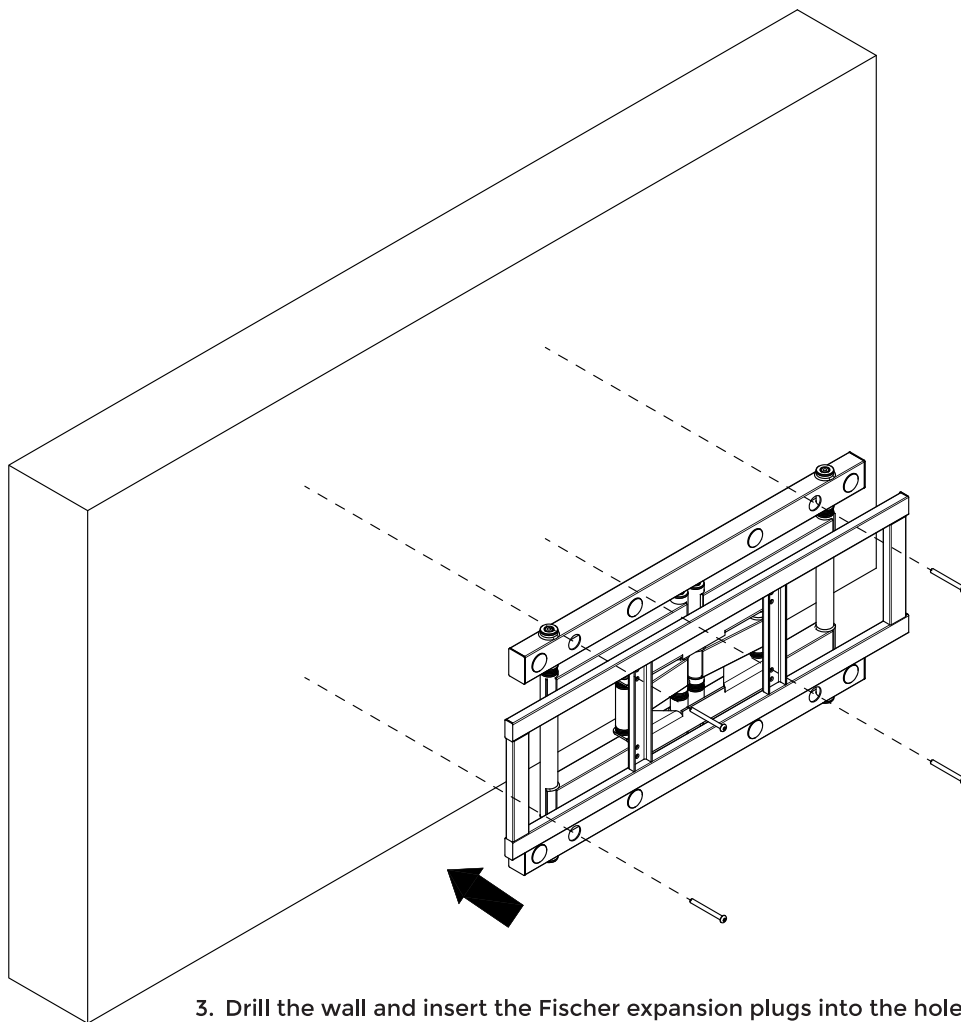


1. Remove the black caps from the wall mount

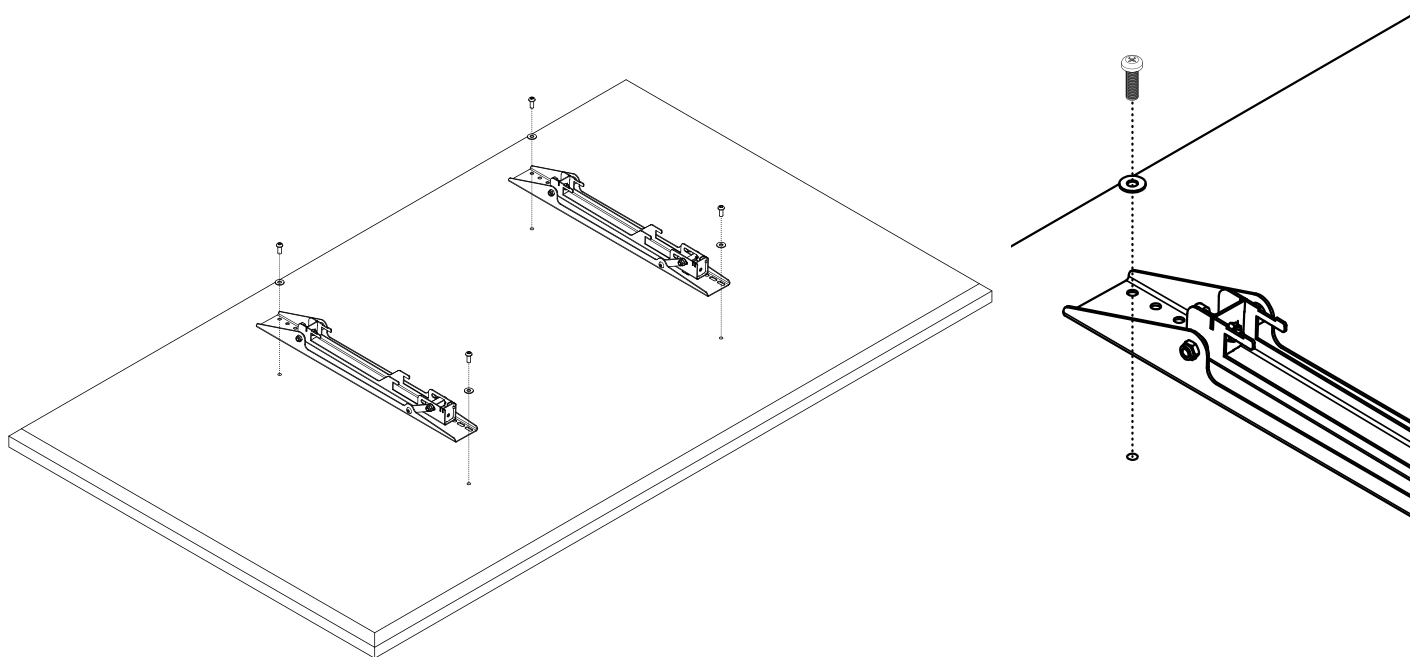


2. Place the unit on the wall and make marks on the wall.

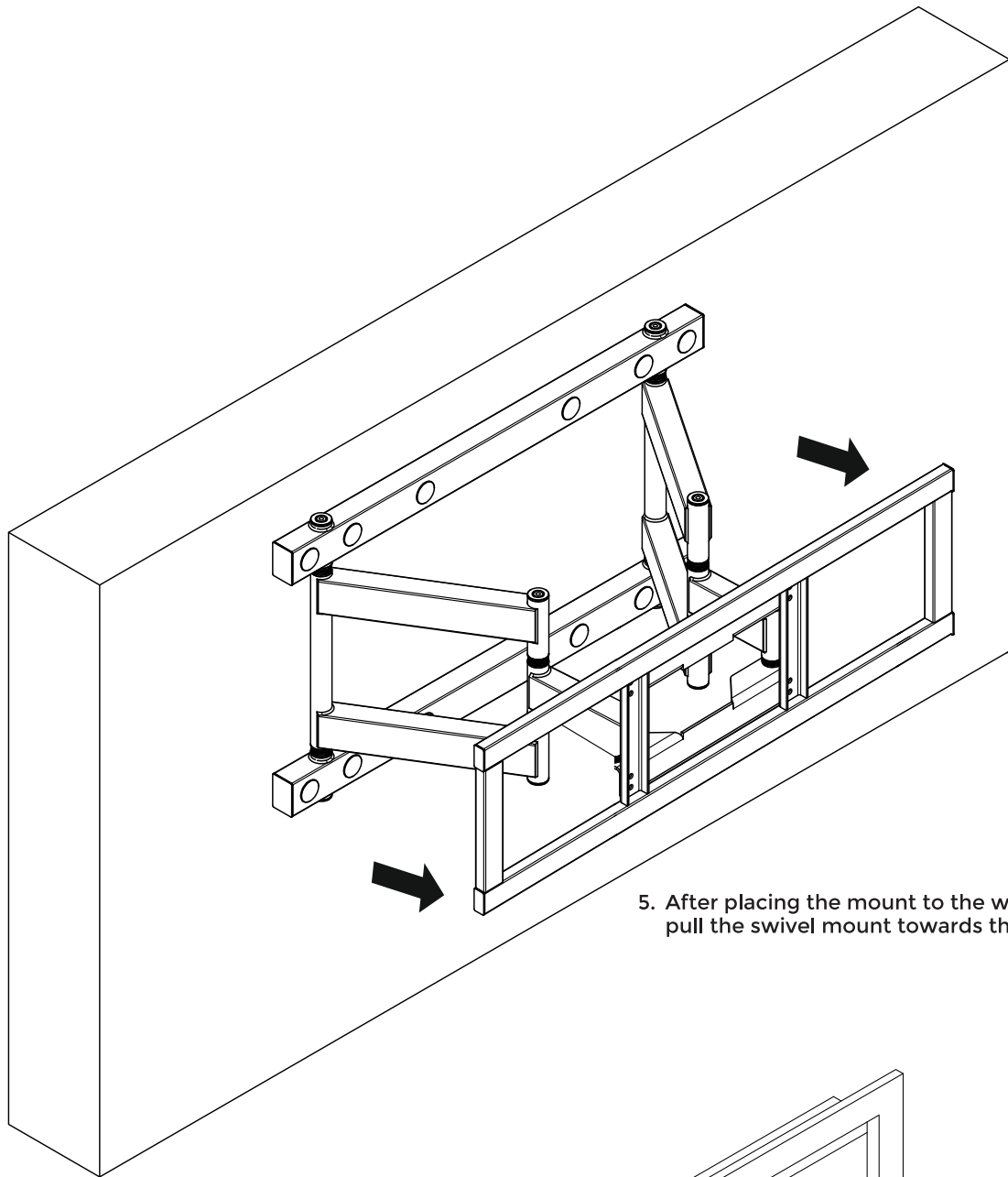
Note: While marking make sure the mount is placed in a straight line using the surface leveler



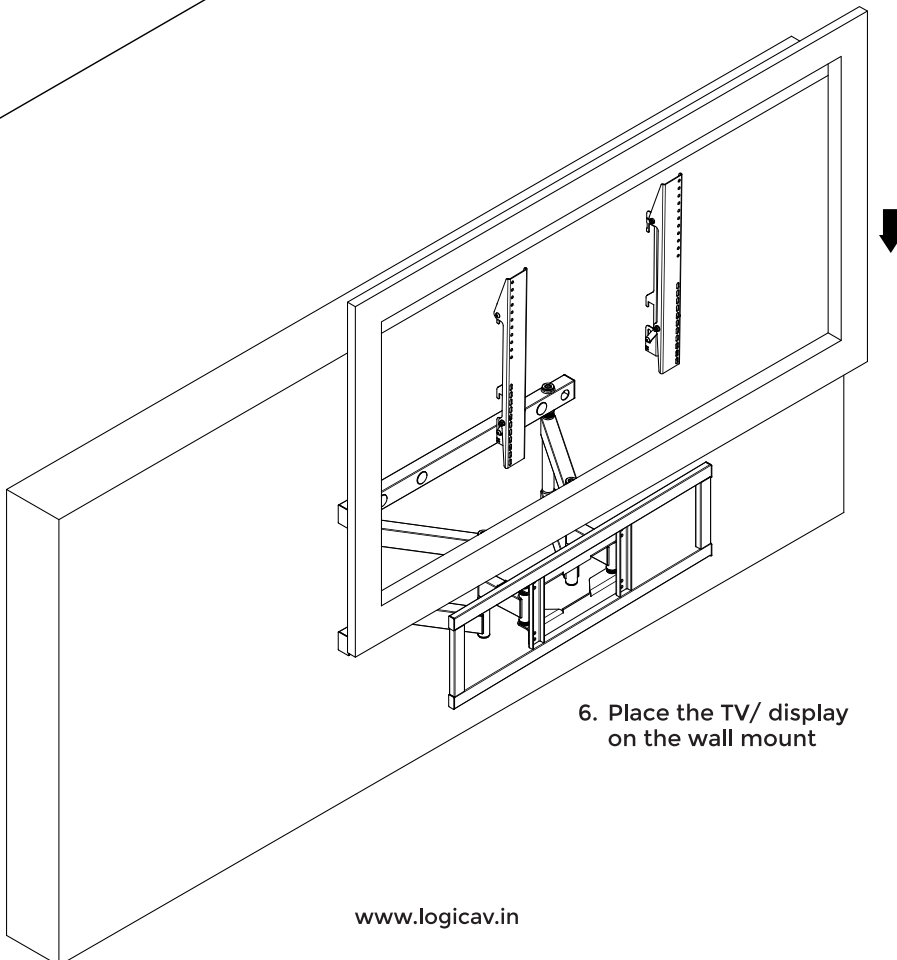
3. Drill the wall and insert the Fischer expansion plugs into the holes place the mount on the wall and insert concrete screw. (Refer W-A, W-B, W-C in the checklist)



4. Place the interface bracket on the TV/ display and insert the washer and screw (Refer the checklist for the suitable screw and washer)

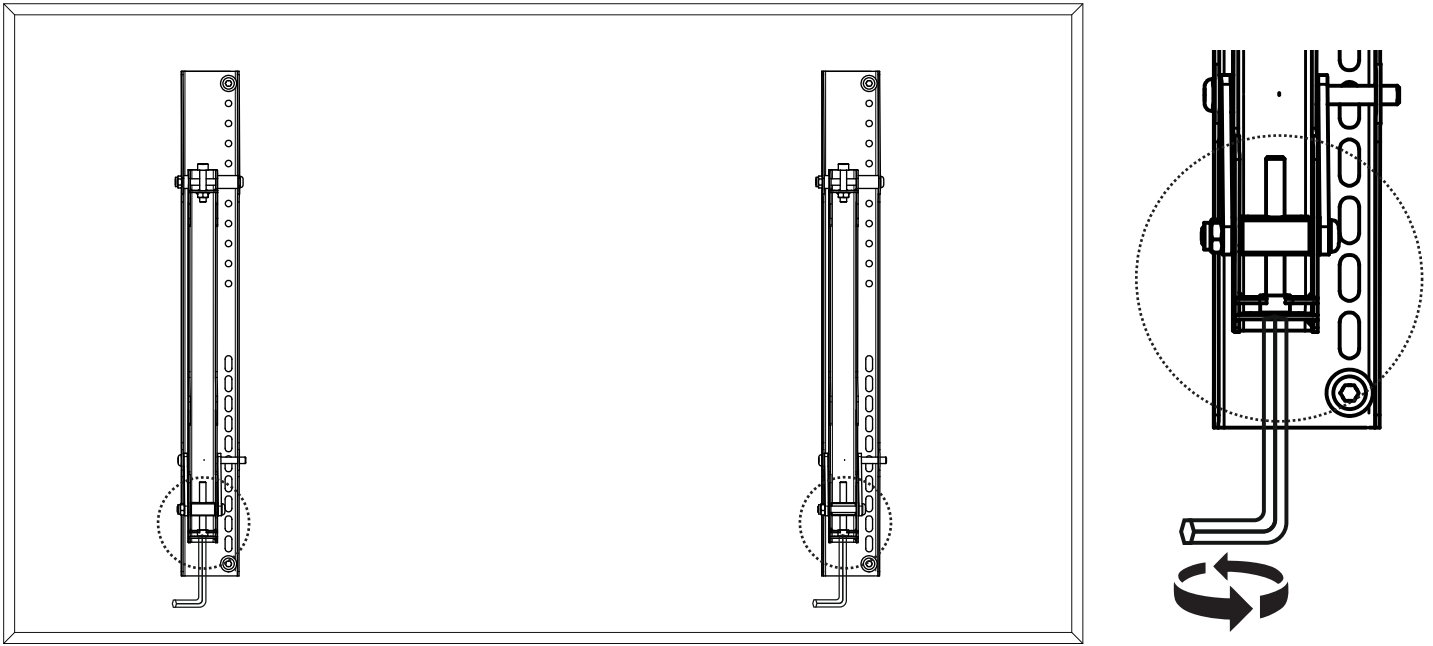


5. After placing the mount to the wall, pull the swivel mount towards the front

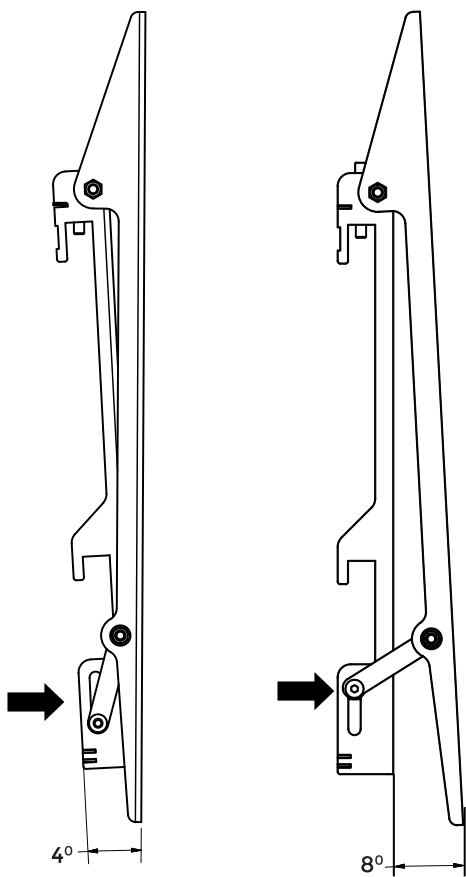


6. Place the TV/ display on the wall mount

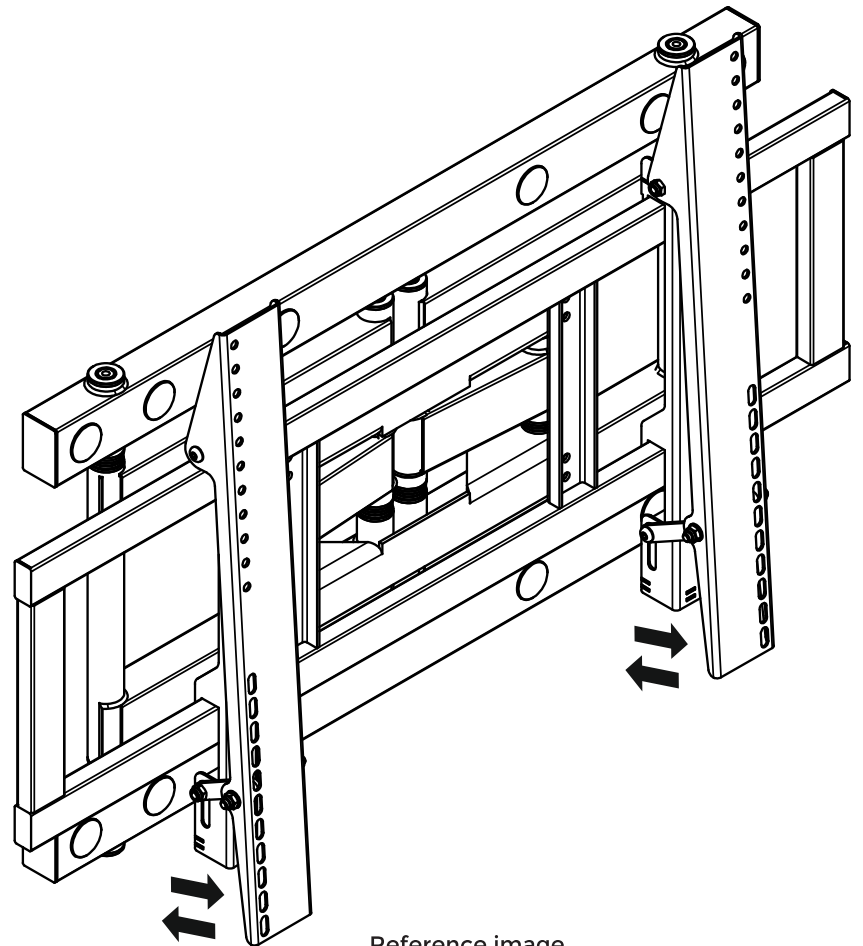
Angle adjustment details



7. Rotate the screw using allen key for angle adjustments (Refer allen key M-H in the checklist)

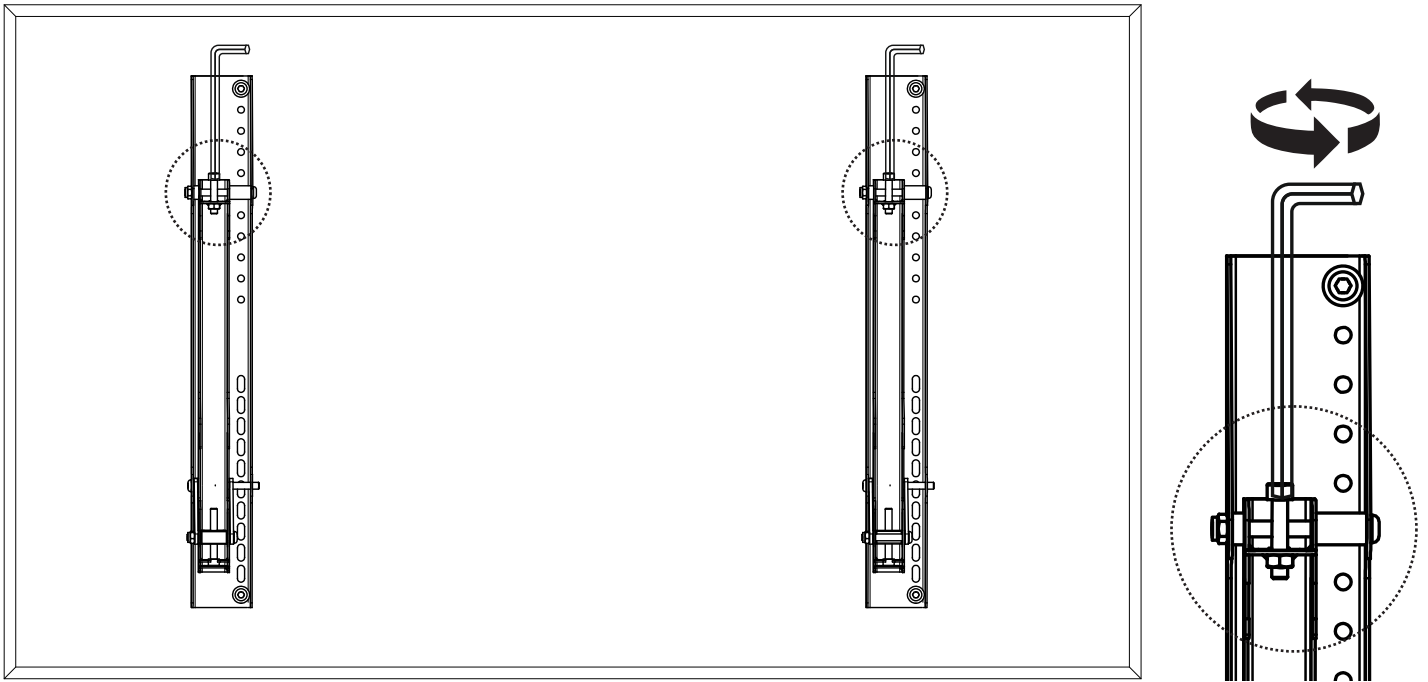


Angle adjustment

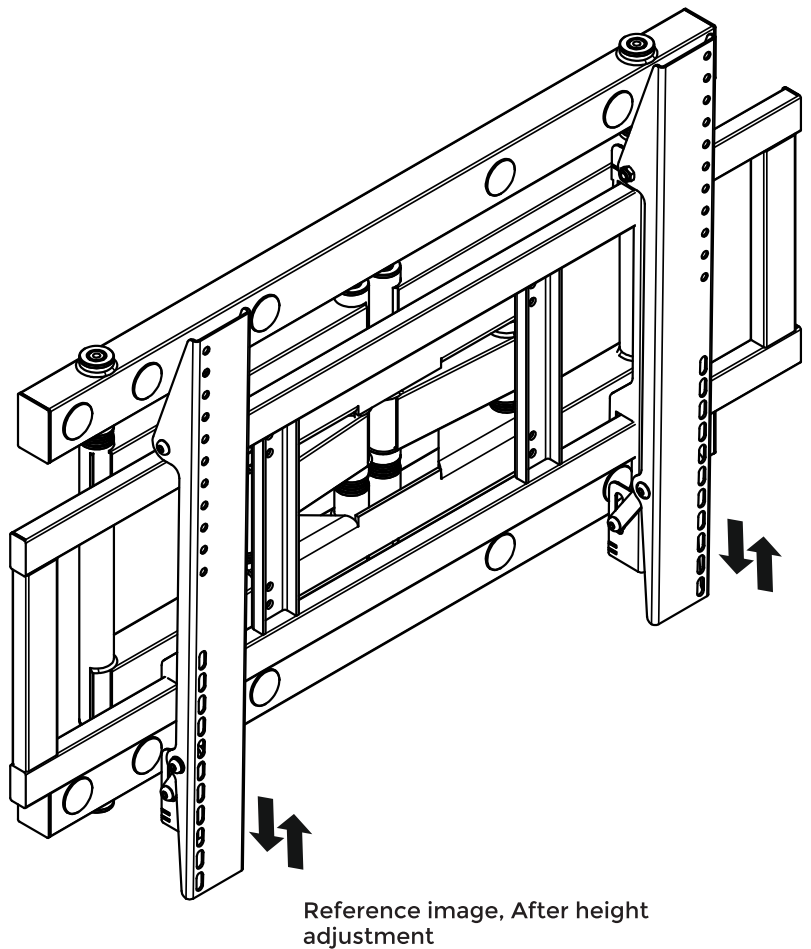
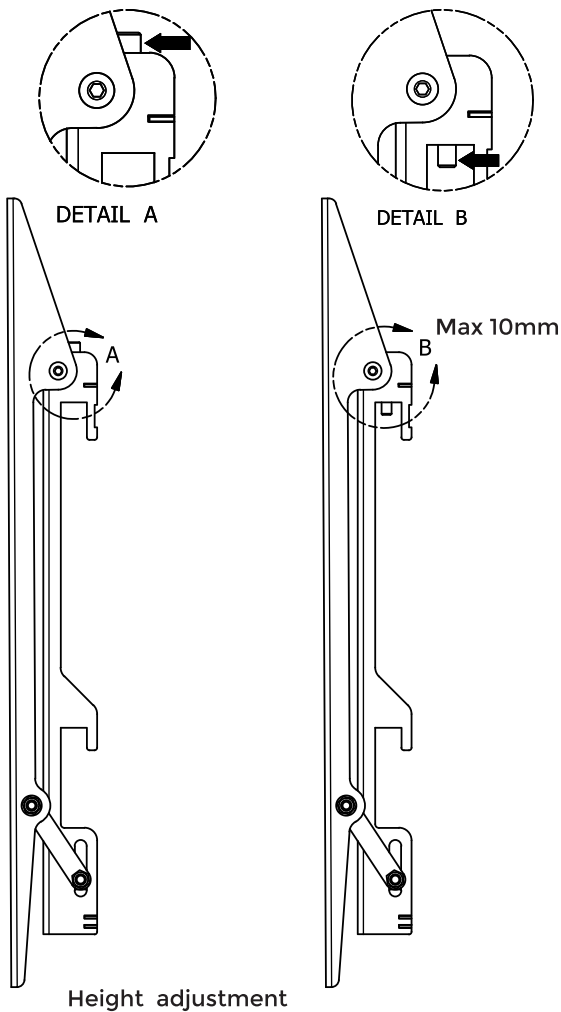


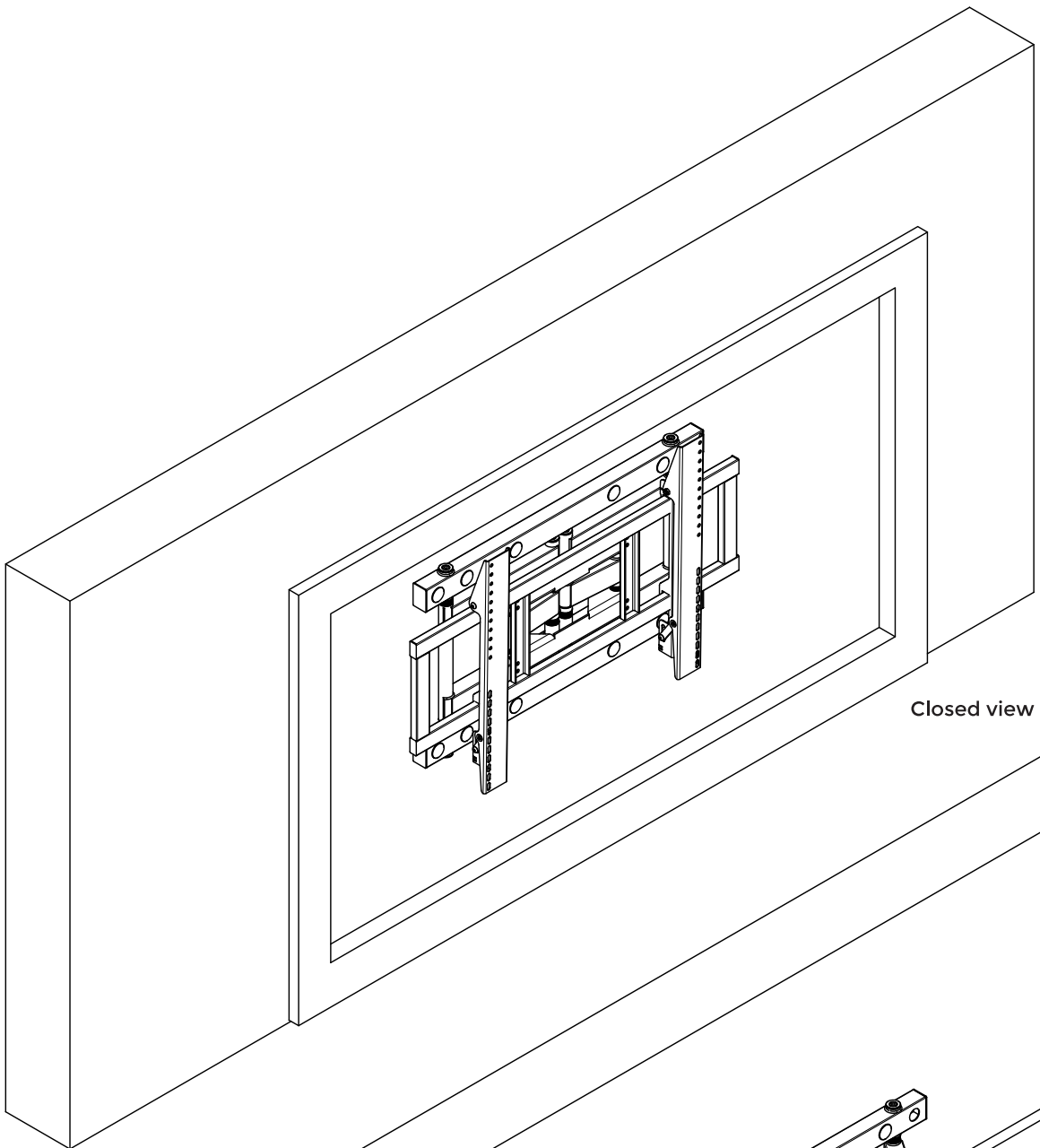
Reference image,
After angle adjustment

Height adjustment details

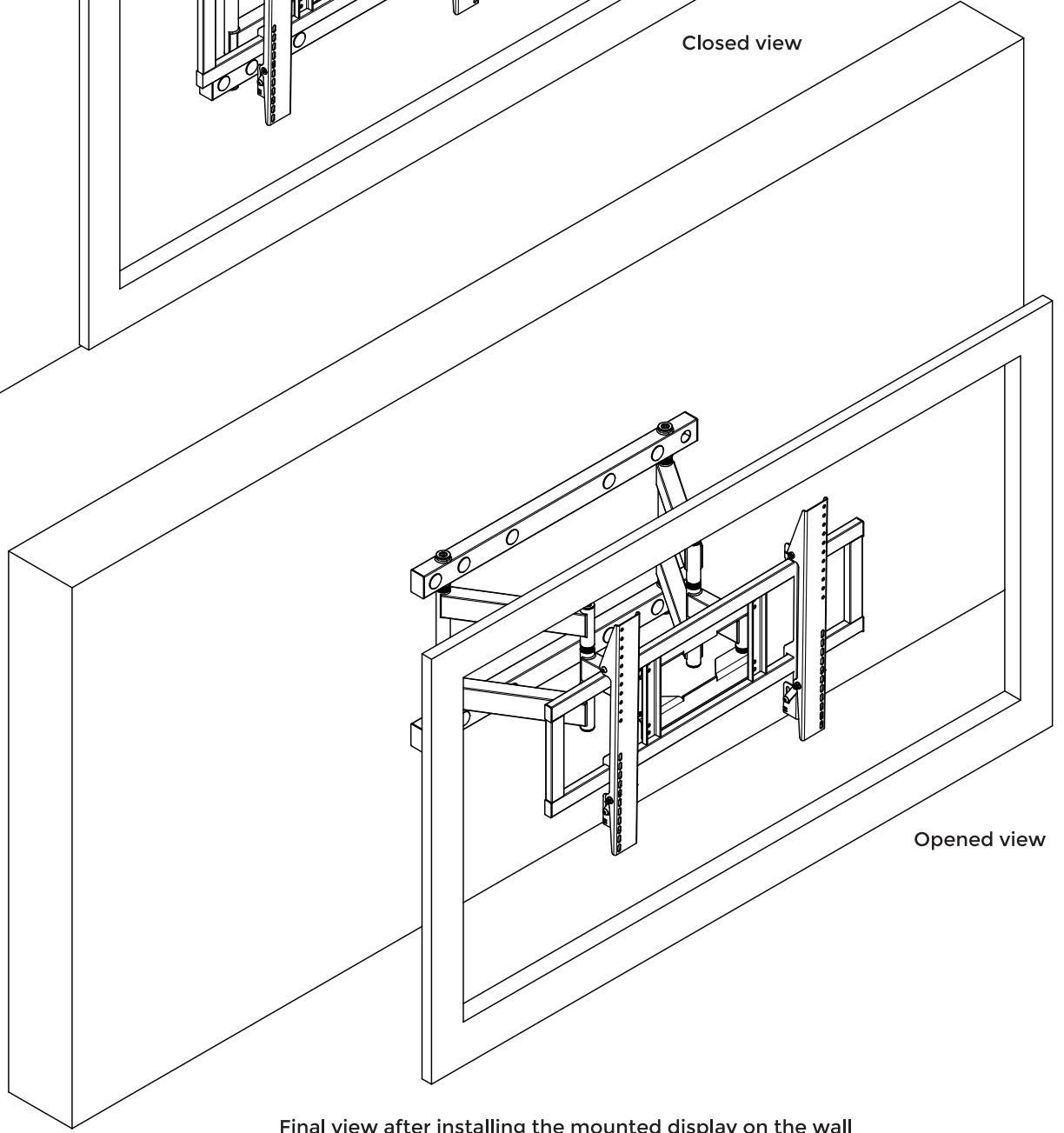


8. Rotate the screw using allen key for height adjustments (Refer allen key M-H in the checklist)





Closed view



Opened view

Final view after installing the mounted display on the wall