

LM-302

MANUAL SERIES



Features

- LM-302 is a compact cable manager solution designed for installation into a table as part of a presentation system.
- The product can be fixed on a table and podium to provide a way to connect audio visual equipment.
- Soft opening with comfort and safety.
- Equipped with flip open cover system.
- The product is made of steel and aluminium.
- Product Weight : 1.5 kg
- Shipping Weight : 1.8 kg
- Shipping Dimension (L x W x H) : 260 x 210 x 210
- Colour Available : Black

Connectivity

2 x Universal Power
1 x USB-A Mobile Charger
1 x HDMI 2.0V
2 x CAT 6 RJ-45 Network
1 x 3.5 mm Audio
1 x VGA

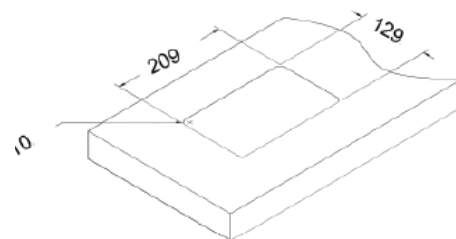
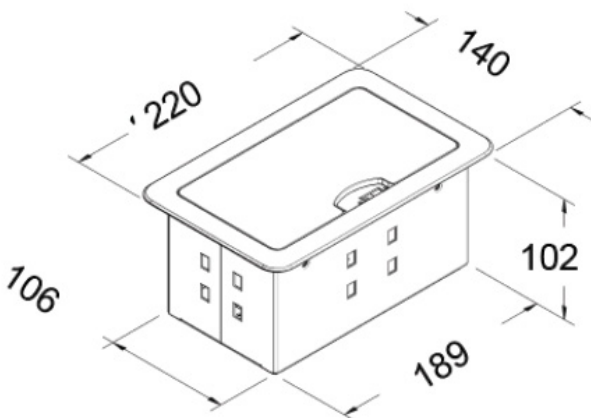


Table Cutout

*Dimensions in mm