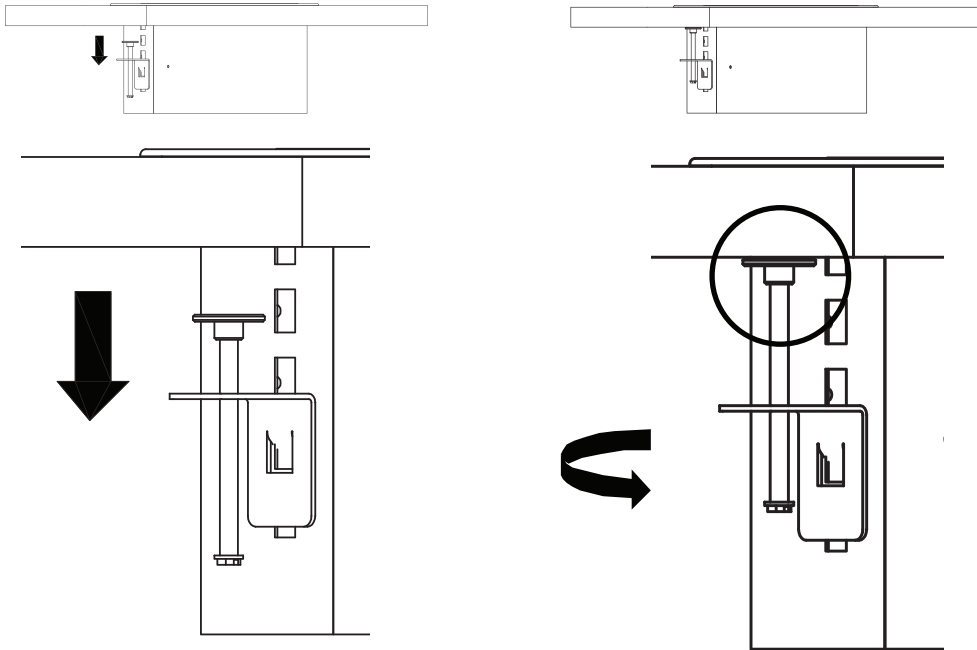


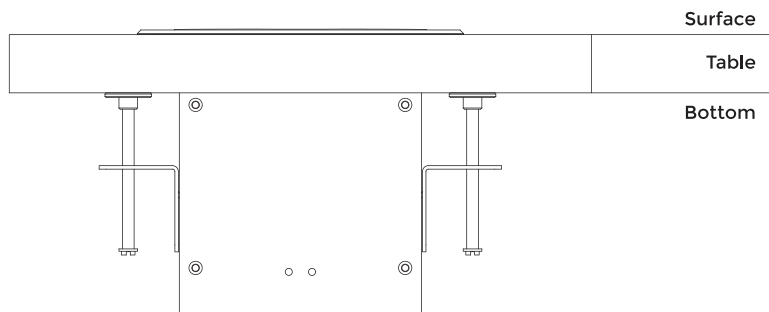
Cable Manager Locking Details



4. After positioning the cable manager into the table cut-out, insert the mounting clamp into the enclosure for securing the unit to the table surface (on both sides) (Refer mounting clamp C in the checklist)

5. Softly tighten the screw to secure the enclosure towards the bottom side of the table (on both sides)

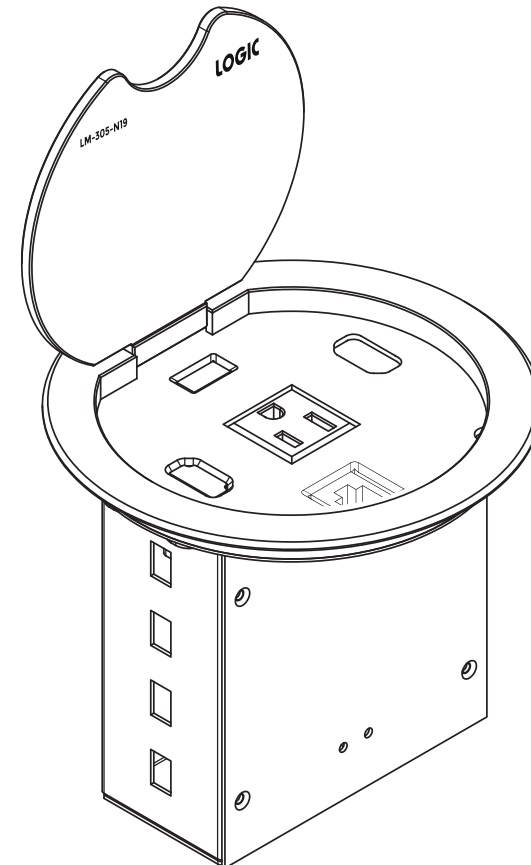
Final view after installing the cable manager on the table



Ensure the mounting clamps has been assembled as per the above instruction (on both sides)

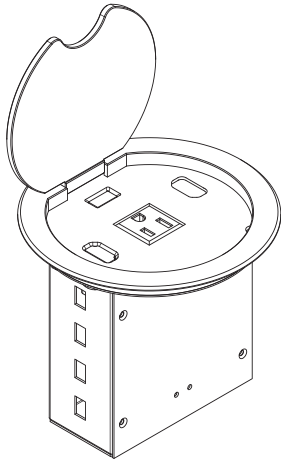
INSTALLATION MANUAL

CABLE MANAGER

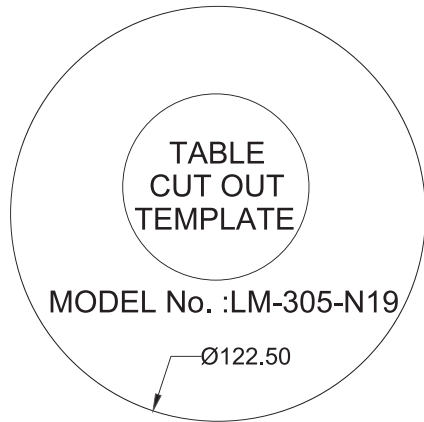


MODEL	SERIES
LM-305-N19	MANUAL SERIES

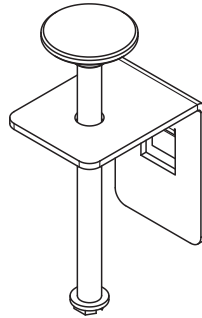
Checklist



A: Cable Manager x 1



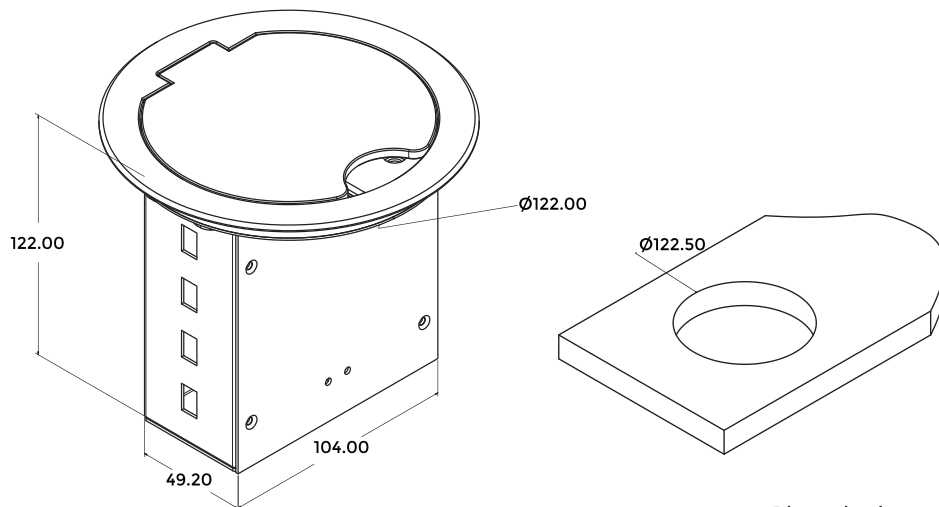
B: Cut-out template x 1



C: Mounting clamp x 2

IMPORTANT : Prior to installation, ensure that you have received all the parts as per the checklist

1. Product Dimension



www.logicav.in

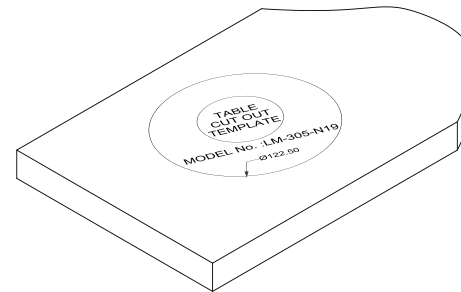
Dimension in mm

2. Installation

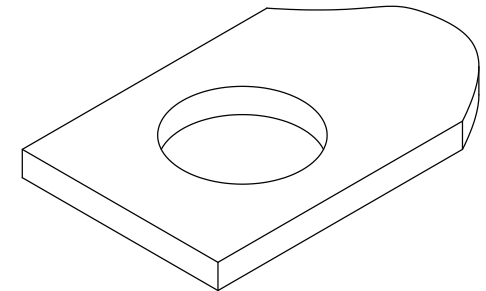
Instructions to provision the cut-out on the table:

ATTENTION: The cut-out on the table for the cable cubby should be executed only by an experienced craftsman to prevent any damage/ scarring.

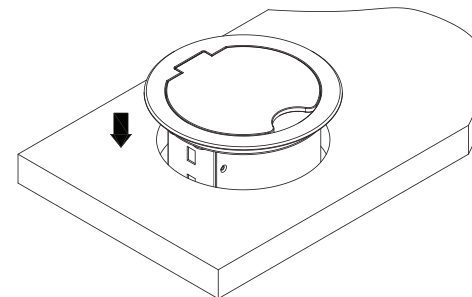
CAUTION : Wear safety glasses while operating power equipment. Failure to comply may result in eye injury.



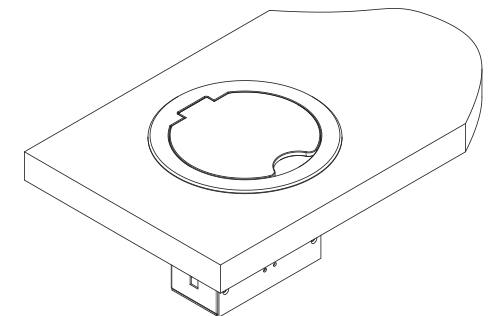
1. Place the cut-out template on the table



2. Follow template dimensions, to carry out the cut-out on the table



3. Then position the cable manager into the table cut-out



View after positioning the cable manager into the table

www.logicav.in