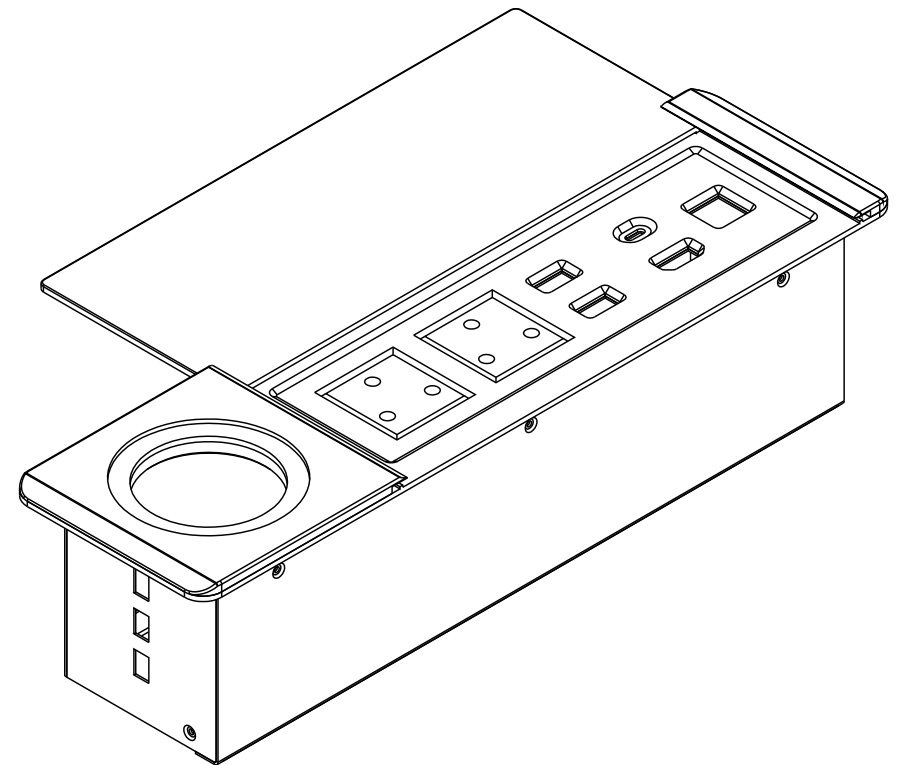


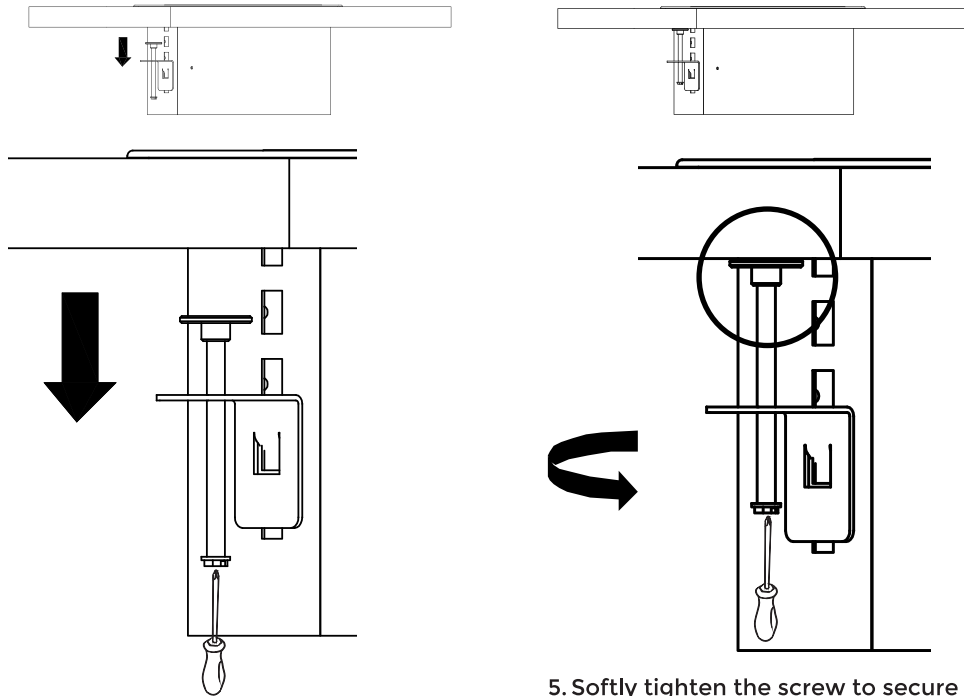
INSTALLATION MANUAL

CABLE MANAGER



MODEL	SERIES
LM-306VS-WC	MANUAL SERIES

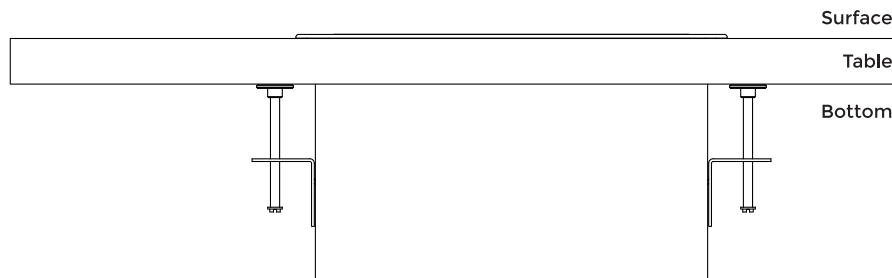
Cable Manager Locking Details



4. After positioning the cable manager into the table cut-out, insert the mounting clamp into the enclosure for securing the unit to the table surface (on both sides)

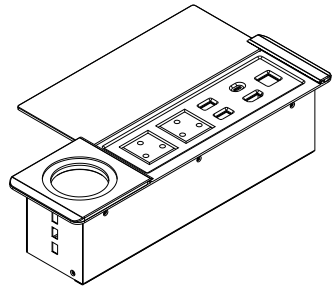
5. Softly tighten the screw to secure the enclosure towards the bottom side of the table (on both sides)

View After installing the cable manager on the table

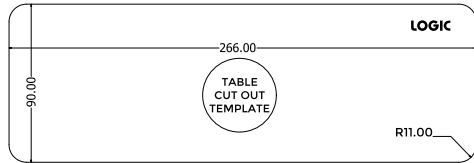


Ensure the mounting clamps has been assembled as per the above instruction (on both sides)

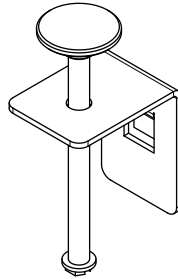
Checklist



Cable Manager x 1



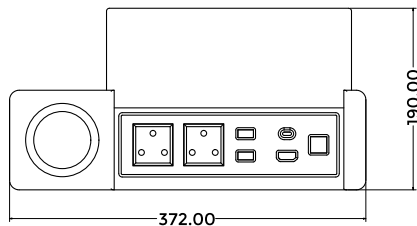
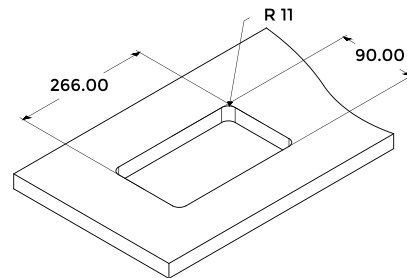
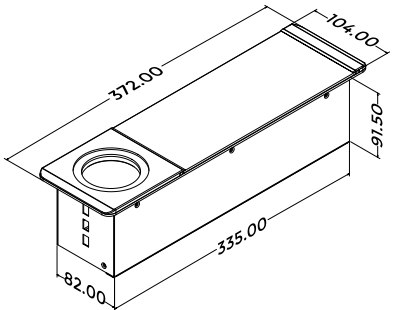
A: Cut-out template x1



B: Mounting clamp x 2

IMPORTANT: Prior to installation, ensure that you have received all the parts as per the checklist.

1. Product Dimension

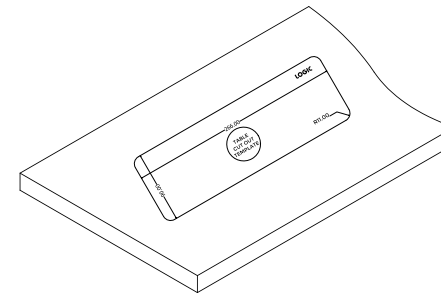


2. Installation

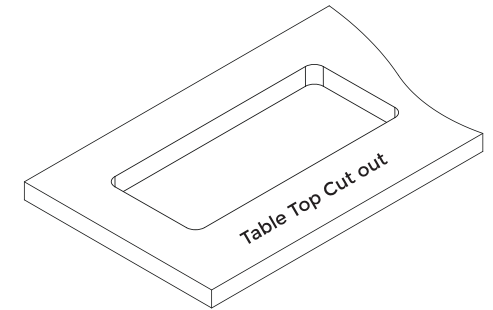
Instructions to cut-out on the table:

ATTENTION: The cut-out on the table for the cable cubby should be executed only by an experienced craftsman to prevent any damage/ scarring.

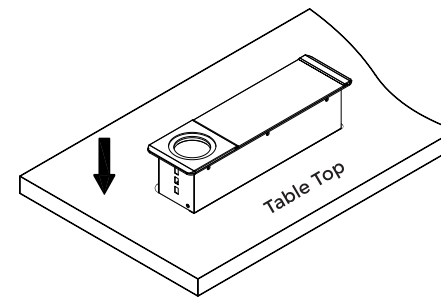
CAUTION : Wear safety glasses while operating power equipment. Failure to comply may result in eye injury



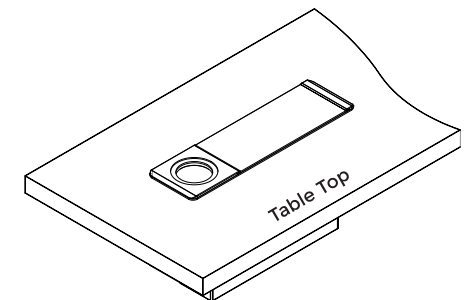
1. Place the cut-out template on the table



2. Follow template dimensions, to carry out the cut-out on the table



3. Then position the cable manager into the table cut-out



View after positioning the cable manager into the table